

Linear Wrap: 'B' Profile

Sealed Surface Wrap Luminaire

PRODUCT FEATURES

- ✓ 5.9" Wide Linear Profile in 2' & 4' Lengths
- ✓ IP66 Rated for Wet Locations
- ✓ IK10 for Impact Resistance
- ✓ Surface or Suspended Installation
- ✓ Lens Mechanically Secured to Housing
- ✓ Fourth Generation Family Owned US Corporation



Shown w/ Tamper Proof Hardware

APPLICATIONS

VLB - Vandal / High Abuse / Detention

- | | |
|----------------------|--------------------|
| ✓ Public Restrooms | ✓ Stairwells |
| ✓ Schools | ✓ Transit Stations |
| ✓ Services Corridors | ✓ Parking Garages |

FPB - Food Processing Areas

- | | |
|--------------------------|--------------------|
| ✓ Food Prep Areas | ✓ Dry Storage |
| ✓ Inspection & Packing | ✓ Production Lines |
| ✓ Cold Storage & Coolers | ✓ Washdown Zones |

WLB - Wet Location (Under Canopy)

- | | |
|--------------------|-----------------|
| ✓ Parking Garages | ✓ Warehouses |
| ✓ Loading Docks | ✓ Utility Areas |
| ✓ Covered Walkways | ✓ Under Canopy |



SPECIFICATIONS

HOUSING: Double channel housing available in die formed 20Ga cold rolled steel or 20Ga 304 stainless steel.

END CAPS: Precision stamped 20Ga 304 Stainless Steel. End caps are locked in place using (3) flush stainless steel fasteners (Phillips head for FP/WL, tamper-resistant Torx® T-20 with center pin fasteners head for VL).

GASKETS: Closed cell nitrile or neoprene gasketing (nitrile for FP; neoprene for WL and VL); resists aging, grease and solvents.

OPTICS: Lens is extruded from a nominal 1/8" frosted polycarbonate and securely positioned in housing channels. For the 4' housing, the lens is secured in place using (3) flush stainless steel fasteners (Phillips head for FP/WL, tamper-resistant Torx® T-20 with center pin fasteners head for VL). The 2' housing only uses (2) fasteners.

LEDS: Commercially available in a wide variety of Color Temperature (CCT), FLUX, and CRI. Highly efficient and consistent color maintained to 3 SDMC for color critical applications. B50/L70 and compliant with Zhaga recognized hole patterns. Consult factory for LED options or configurations not listed below.

DRIVERS: Standard Universal Voltage Class 2 drivers are 0-10v dimmable to 1%. They come with at least 2.5Kv surge protection, have less than 10% THD at max load, Ballast Factor Greater than .95 and are programmable to match specific lumen or wattage requirements. Drivers with higher input voltage ratings are available, consult factory for driver specifications.

INSTALLATION: Suitable for wet location installation under covered ceilings only. Luminaire is provided with four 5/16" debossed holes for mounting. Power is brought in through 1/2" flattened conduit K.O. located on the bottom of luminaire. 1EKO option add a 1/2" conduit hole through one endcap for power entrance. 2EKO option has a Hole on both endcaps. Suitable for through wiring.

FINISH: Stainless steel housings are satin polished unless WHT or AMW options are selected. All other materials are provided with gloss high reflectance white polyester powder coat with 1000hr salt spray test per ASTM B117. AMW option provides a white anti-microbial polyester powder coat to all exposed surfaces.

LISTINGS: IP66 rated for dust and water ingress. IK10 rated for impact resistance. ETL listed per UL_1598 for wet locations. Drivers and LEDs are covered by a 5 year warranty, the remaining fixture is covered by a 10 year warranty. This product Series is both Build America Buy America (B.A.B.A.) & Buy American Act (B.A.A.) compliant.

DISCLAIMER: Although KURTZON has prepared the information contained in this document with all due care, KURTZON does not warrant or represent that the information is free from errors or omission. While the information is considered to be true and correct at the date of publication, changes in circumstances after the time of publication may impact on the accuracy of the information. The information may change without notice and KURTZON is not in any way liable for the accuracy of any information printed and stored or in any way interpreted or used.

Linear Wrap: 'B' Profile

Sealed Surface Wrap Luminaire



VANDAL / HIGH ABUSE / DETENTION ORDERING GUIDE

Series	Lens	Material	Size	Row Qty.	LED Type	CCT/CRI	Voltage	Options				
VLB	FP				LEDR							
Series	Lens	Material	Size	Light Source	Voltage	Options						
VLB	FP Frosted Polycarbonate	1 White CRS Housing	20 2' Housing	2	LEDR	83 CRI:	120V	Mounting PMB (2) Pendant Mount Brackets (Pendants or Chains by Others) CMB (2) Corner Mount Brackets AMB (2) Adjustable Mount Brackets Sensors OCCMW Integral Microwave OCC Sensor (32' max) OCCHB External PIR OCC Sensor (End Mount 20'-40') OCCLB External PIR OCC Sensor (End Mount 8'-25') Finish WHT White Finished Door & HSG AMW Anti-Microbial White Powdercoat Others FC Fuse & Holder (One Supplied Per Circuit) EDL -40F Electronic Driver EM10 10W Integral LED EM (Specify Input Voltage) (Not Available with 2' Housing) PxL Replace 'x' with Specified Lumen Value PxW Replace 'x' with Specified Wattage Value 10KV 10KV Parallel Surge Protection (One Supplied Per Circuit) WHIP Must Specify Length and Wire Qty 1EKO Power Entrance Hole through 1 endcap (1/2" Conduit) 2EKO Power Entrance Hole through 2 endcaps (1/2" Conduit)				
			3 Polished 304 SS Housing	40 4' Housing		3					830 3000K	277V
											835 3500K	UNV
											840 4000K	347V*
											850 5000K	
											90+ CRI:	
											935 3500K	
											940 4000K	
											950 5000K	
												*Note: Not all options are compatible with 347V. Consult factory for compatibility.

FOOD PROCESSING ORDERING GUIDE

Series	Lens	Material	Size	Row Qty.	LED Type	CCT/CRI	Voltage	Options				
FPB	FP				LEDR							
Series	Lens	Material	Size	Light Source	Voltage	Options						
FPB	FP Frosted Polycarbonate	1 White CRS Housing	20 2' Housing	2	LEDR	83 CRI:	120V	Mounting PMB (2) Pendant Mount Brackets (Pendants or Chains by Others) CMB (2) Corner Mount Brackets AMB (2) Adjustable Mount Brackets CRM (2) Continuous Row Mounting Sensors OCCMW Integral Microwave OCC Sensor (32' max) OCCHB External PIR OCC Sensor (End Mount 20'-40') OCCLB External PIR OCC Sensor (End Mount 8'-25') Finish WHT White Finished Door & HSG AMW Anti-Microbial White Powdercoat Others FC Fuse & Holder (One Supplied Per Circuit) EDL -40F Electronic Driver EM10 10W Integral LED EM (Specify Input Voltage) (Not Available with 2' Housing) PxL Replace 'x' with Specified Lumen Value PxW Replace 'x' with Specified Wattage Value 10KV 10KV Parallel Surge Protection (One Supplied Per Circuit) WHIP Must Specify Length and Wire Qty 1EKO Power Entrance Hole through 1 endcap (1/2" Conduit) 2EKO Power Entrance Hole through 2 endcaps (1/2" Conduit) TP Tamper Proof Fasteners (Tox Center Pin Reject) SW Sealed Wireway for Conduit End Feed (Each End) (IP65 ONLY)				
			3 Polished 304 SS Housing	40 4' Housing		3					830 3000K	277V
											835 3500K	UNV
											840 4000K	347V*
											850 5000K	
											90+ CRI:	
											935 3500K	
											940 4000K	
											950 5000K	
												*Note: Not all options are compatible with 347V. Consult factory for compatibility.

Ordering Notes, If Applicable

Linear Wrap: 'B' Profile

Sealed Surface Wrap Luminaire



FPB ONLY

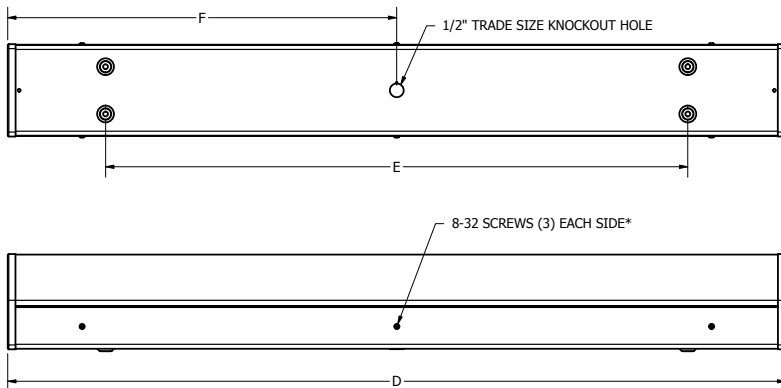
WET LOCATION ORDERING GUIDE

Series	Lens	Material	Size	Row Qty.	LED Type	CCT/CRI	Voltage	Options
WLB	FP				LEDR			
Series	Lens	Material	Size	Row Qty.	Light Source	CCT/CRI	Voltage	Options
WLB	FP Frosted Polycarbonate	1 White CRS Housing	20 2' Housing	2	LEDR	83 CRI:	120V	Mounting PMB (2) Pendant Mount Brackets (Pendants or Chains by Others) CMB (2) Corner Mount Brackets AMB (2) Adjustable Mount Brackets CRM (2) Continuous Row Mounting Sensors OCCMW Integral Microwave OCC Sensor (32" max) OCCHB External PIR OCC Sensor (End Mount 20"-40") OCCLB External PIR OCC Sensor (End Mount 8"-25") Finish WHT White Finished Door & HSG AMW Anti-Microbial White Powdercoat Others FC Fuse & Holder (One Supplied Per Circuit) EDL -40F Electronic Driver EM10 10W Integral LED EM (Specify Input Voltage) (Not Available with 2' Housing) PxL Replace 'x' with Specified Lumen Value PxW Replace 'x' with Specified Wattage Value 10KV 10KV Parallel Surge Protection (One Supplied Per Circuit) WHIP Must Specify Length and Wire Qty 1EKO Power Entrance Hole through 1 endcap (1/2" Conduit) 2EKO Power Entrance Hole through 2 endcaps (1/2" Conduit) TP Tamper Proof Fasteners (Torx Center Pin Reject) SW Sealed Wireway for Conduit End Feed (Each End) (IP65 ONLY)
		3 Polished 304 SS Housing	40 4' Housing	3		830 3000K 835 3500K 840 4000K 850 5000K		
					90+ CRI:		<small>*Note: Not all options are compatible with 347V. Consult factory for compatibility.</small>	
					935 3500K			
					940 4000K			
					950 5000K			

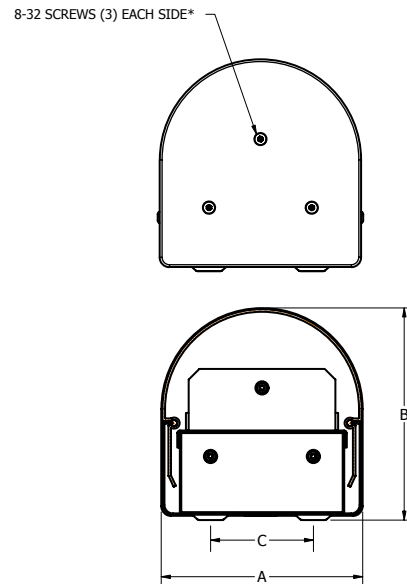
PRODUCT DRAWINGS

SIZE	DIM A	DIM B	DIM C	DIM D	DIM E	DIM F
20	5.9"	6.06"	3.00"	25.07"	13.00"	2.3"
40	5.9"	6.06"	3.00"	49.2"	37.00"	24.6"

*ALL DIMENSIONS SHOWN ARE IN INCHES. DIMENSIONS SHOWN ARE APPROXIMATE.



* VLB USES TORX FASTENERS.
WLB & FPB USE PHILLIPS HEAD.



Linear Wrap: 'B' Profile

Sealed Surface Wrap Luminaire

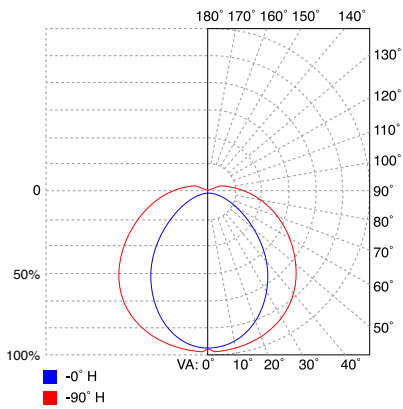


ENERGY DATA

"B" PROFILE LED WRAP (APPROX ¹ LUMENS DELIVERED)											
LENS TYPE	ENCLOSURE SIZE	LED SELECTION	STANDARD DIMMING	83 CRI (3000K - 5000K)			90 CRI (3500K - 4000K)			AMBIENT TEMP	
				LUMENS	WATTS ²	EFFICACY ³	LUMENS	WATTS ²	EFFICACY ³	MINIMUM	MAXIMUM ⁴
FP	20	2LEDR	0-10V 1%	2,960	29	102	2,720	29	94	-20°C (-4°F)	40°C (104°F)
FP	20	3LEDR	0-10V 1%	4,400	44	100	4,250	44	97	-20°C (-4°F)	40°C (104°F)
FP	40	2LEDR	0-10V 1%	6,540	56	117	6,010	56	107	-20°C (-4°F)	45°C (113°F)
FP	40	3LEDR	0-10V 1%	9,687	82	119	8,902	82	109	-20°C (-4°F)	45°C (113°F)

- ¹ DELIVERED LUMEN DATA IS EXTRAPOLATED FROM MEASURED DATA @25C WITH NO EXTRA OPTIONS. VARIANCES WILL OCCUR WHEN OTHER SELECTIONS ARE MADE
- ² WATTAGE IS MEASURED WITH 4000K SELECTION @ 120vAC AND Tambient = 25C. WATTAGES MAY VARY WITH ALTERNATE CONFIGURATIONS
- ³ EFFICACY CALCULATED USING 4000K CCT DATA.
- ⁴ MAX AMBIENT TEMP RATING. TEMP RATING MAY VARY WITH ALTERNATE SPECIFIED DRIVERS OR ANY NON STANDARD SELECTION
- ⁵ DELIVERED LUMENS FOR EM10 = (10W)*(EFFICACY) = DELIVERED LUMENS. EM10 ADDS 4W TO TOTAL LUMINAIRE

PHOTOMETRICS



MOUNTING DETAILS

