

# Wet Location Vaportight: WL-SEG-1520-LED

Wet Location 15" x 2' Linear Vaportight LED Luminaire for Surface or Pendant Mounting

- **High Lumen Packages, up to 20,200Lm Delivered**
- **Ambient operating temps as Low as -40C(-40F) and as High as +45C(+113F) (Temps Vary by Configuration. Verify in Energy Data Section)**
- **IP65 / IP66 / IP69 / (Optional IP67)**
- **1500 PSI hosedown**
- **UL 1598 Wet Location**
- **Marine grade 316 stainless steel latches & Mounting brackets**
- **Nema4X**
- **UL 5VA Rated (will not melt or burn)**
- **Polycarbonate Lens: Clear / Frosted**
- **B.A.A. & B.A.B.A Compliant & Made in the USA by a Family Owned US Corporation**



DISCLAIMER: Although KURTZON has prepared the information contained in this document with all due care, KURTZON does not warrant or represent that the information is free from errors or omission. Whilst the information is considered to be true and correct at the date of publication, changes in circumstances after the time of publication may impact on the accuracy of the information. The information may change without notice and KURTZON is not in any way liable for the accuracy of any information printed and stored or in any way interpreted or used.

## ORDERING GUIDE

Series	Lumen Package	CCT	Optics	Voltage	Controls	Mounting	Sensors	Options
<b>WL-SEG-1520</b>								
Series	Lumen Package	CCT/CRI	Optics	Voltage	Controls	Mounting (Not Required)	Sensors (Not Required)	Options
<b>WL-SEG-1520</b>	<b>2L0</b> 2 Rows of Low Flux LED's	<b>83 CRI:</b>	<b>CP</b> Clear Polycarbonate	<b>UNV</b> (120-277 Vac)	<b>DIM1</b> 0-10V 1%	<b>V-Hook</b> Mounting Hooks	<b>OCC MW</b> Microwave OCC Sensor (Internal 32' MAX)	<b>PxW</b> * Programmed to Specified Wattage (Replace X with Watts)
	<b>3L0</b> 3 Rows of Low Flux LED's	<b>830</b> 3500K	<b>FP</b> Frost Polycarbonate	<b>HV</b> (347-480 Vac)	<b>DIM5</b> 0-10V 5%	<b>RMB</b> Ridge Mtg Beam	<b>OCC HB</b> Highbay OCC Sensor (End Mount 20'-40')	<b>PxL</b> * Programmed to User Specified Lumens (Replace X with Lumens)
	<b>4L0</b> 4 Rows of Low Flux LED's	<b>835</b> 3500K	<b>CA</b> Clear Acrylic		<b>DALI</b> DALI 1%	<b>SMB</b> Surface Mtg Bracket	<b>OCC LB</b> Lowbay OCC Sensor (End Mount 8'-10')	<b>10KV</b> 10KV Parallel Surge Protection (One Supplied Per Circuit)
	<b>6L0</b> 6 Rows of Low Flux LED's	<b>840</b> 4000K	<b>FA</b> Frost Acrylic		<b>2/ED</b> 2 Circuits	<b>FMB</b> Flex Mtg Brackets	<b>DL/OCC HB</b> Daylight & Highbay OCC Sensor (End Mount 40' MAX)	<b>3WC</b> 3 Wire Cord ( Must Provide Specs)
	<b>2H1</b> 2 Rows of High Flux LED's	<b>850</b> 5000K			<b>LUTRON</b> (Specify Type)	<b>SCM</b> Single Conduit Stern	<b>DL/OCC LB</b> Daylight & Lowbay OCC Sensor (End Mount 8' MAX)	<b>WHIP</b> Must Specify Length and Wire Qty
	<b>4H1</b> 4 Rows of High Flux LED's				<b>OTHER</b> (Must Specify)		<b>OTHERS</b> Must Specify	<b>EM10**</b> 10W Integral Emergency Driver (Specify Voltage & Switching)
			<b>90+ CRI:</b>					<b>FF</b> Fuse & Fuse Holder (One per Specified Circuit)
			<b>935</b> 3500K					<b>IP67</b> Optional IP67 Rating
			<b>940</b> 4000K					

Ordering Notes, if Applicable

# Wet Location Vaportight: WL-SEG-1520-LED

Wet Location 15" x 2' Linear Vaportight LED Luminaire for Surface or Pendant Mounting

## SPECIFICATIONS

**HOUSING:** Injection molded, .125" thick Hole Free White Fiberglass body with sloped top Surface to prevent water accumulation. 5VA Flame Rating

**OPTICS:** Injection molded Heavy gauge Clear or Frosted Acrylic or Polycarbonate. Secured by Captive Stainless Steel cables.

**REFLECTOR:** Standard (92%) High Reflectance white 22 gauge metal. Formed wiring cover for rigidity. Removable without tools or screws.

**GASKETS:** One piece urethane extruded foam with smooth surface.

**LATCHES:** Ten (10) 316 Stainless Steel over-center latches secure lens to housing.

**MOUNTING:** Provided with (4) mounting brackets for suspending (cables by others). See mounting options for other configurations.

**LEDS:** Commercially available in a wide variety of Color Temperature (CCT), FLUX, and CRI. Highly efficient and consistent color maintained to 3 SDMC for color critical applications. B50/L70 and compliant with Zhaga recognized hole patterns. Consult factory for LED options or configurations not listed below.

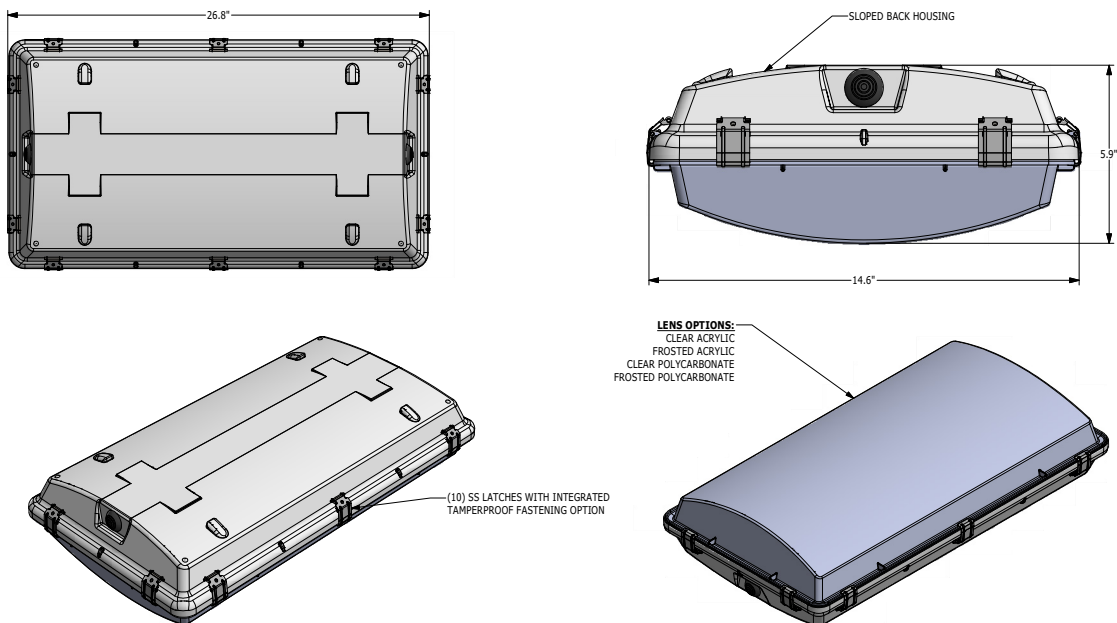
**DRIVERS:** Standard Universal Voltage Class 2 drivers are 0-10v Dimmable to 1% for most LED configurations. They come with at least 2.5Kv surge protection, have less than 10% THD at max load, Ballast Factor Greater than .95 and are programmable to match specific lumen or wattage requirements. Drivers with higher input voltage ratings are available, consult factory for driver specifications.

**INSTALLATION:** Suitable for surface or suspended installation onto or under covered ceilings. Two sealed 1/2" trade size conduit entry points located at ends. See options for pre-wired whips or cords.

**LISTINGS:** IP69 rated for dust and water ingress. Optionally rated to IP67. Suitable for 1500 PSI high pressure hosedowns. UL listed per UL\_1598 for wet locations. Nema 4x rated. Drivers and LEDs are covered by a 5 year warranty, the remaining fixture is covered by a 10 year warranty. This product Series is both Build America Buy America (B.A.B.A.) & Buy American Act (B.A.A.) compliant.

## PRODUCT DRAWINGS

### SEG 1520 REFERENCE DIMENSIONS



11-BA-L-SEG 1520 DWG DATE: 4/12/2017

# Wet Location Vaportight: WL-SEG-1520-LED

Wet Location 15" x 2' Linear Vaportight LED Luminaire for Surface or Pendant Mounting

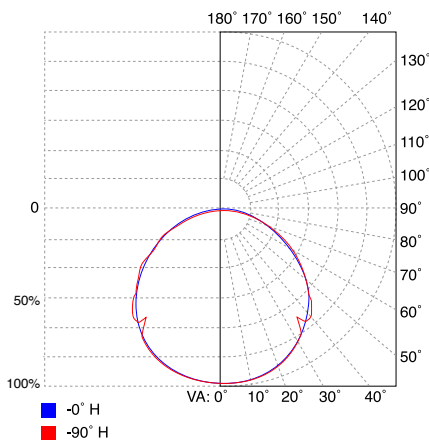
## ENERGY DATA

STD SEG 1520 (APPROX <sup>1</sup> DELIVERED LUMENS)											
ENCLOSURE SIZE	LED PACKAGE	CRI	DIMMING SELECTION	CLEAR LENS			FROST LENS			AMBIENT TEMP	
				LUMENS <sup>2</sup>	WATTS <sup>2</sup>	EFFICACY <sup>3</sup> (Lm/W)	LUMENS <sup>2</sup>	WATTS <sup>2</sup>	EFFICACY <sup>3</sup> (Lm/W)	MINIMUM	MAXIMUM <sup>4</sup>
1520	2 LO	83	0-10V 1%	3,870	29	133	3,670	29	127	-20°C (-4°F)	40°C (104°F)
1520	2 LO	83	0-10V 5%	3,870	29	133	3,670	29	127	-20°C (-4°F)	40°C (104°F)
1520	2 LO	90+	0-10V 1%	3,730	29	129	3,530	29	122	-20°C (-4°F)	40°C (104°F)
1520	2 LO	90+	0-10V 5%	3,730	29	129	3,530	29	122	-20°C (-4°F)	40°C (104°F)
1520	3 LO	83	0-10V 1%	5,800	42	139	5,510	42	132	-20°C (-4°F)	40°C (104°F)
1520	3 LO	83	0-10V 5%	5,800	42	139	5,510	42	132	-20°C (-4°F)	40°C (104°F)
1520	3 LO	90+	0-10V 1%	5,590	42	133	5,300	42	126	-20°C (-4°F)	40°C (104°F)
1520	3 LO	90+	0-10V 5%	5,590	42	133	5,300	42	126	-20°C (-4°F)	40°C (104°F)
1520	4 LO	83	0-10V 1%	7,740	55	141	7,340	55	133	-20°C (-4°F)	40°C (104°F)
1520	4 LO	83	0-10V 5%	7,740	55	141	7,340	55	133	-20°C (-4°F)	40°C (104°F)
1520	4 LO	90+	0-10V 1%	7,460	55	136	7,060	55	128	-20°C (-4°F)	40°C (104°F)
1520	4 LO	90+	0-10V 5%	7,460	55	136	7,060	55	128	-20°C (-4°F)	40°C (104°F)
1520	6 LO	83	0-10V 1%	11,628	83	139	11,036	83	132	-20°C (-4°F)	40°C (104°F)
1520	6 LO	83	0-10V 5%	11,628	83	139	11,036	83	132	-20°C (-4°F)	40°C (104°F)
1520	6 LO	90+	0-10V 1%	11,198	84	133	10,604	84	127	-20°C (-4°F)	40°C (104°F)
1520	6 LO	90+	0-10V 5%	11,198	84	133	10,604	84	127	-20°C (-4°F)	40°C (104°F)
1520	2 HI	83	0-10V 1%	10,718	77	139	10,183	77	132	-20°C (-4°F)	35°C (95°F)
1520	2 HI	83	0-10V 5%	10,718	77	139	10,183	77	132	-40°C (-40°F)	45°C (113°F)
1520	2 HI	90+	0-10V 1%	8,510	78	109	8,084	78	104	-20°C (-4°F)	35°C (95°F)
1520	2 HI	90+	0-10V 5%	8,510	78	109	8,084	78	104	-40°C (-40°F)	40°C (104°F)
1520	4 HI	83	0-10V 1%	21,437	153	140	20,365	153	133	-20°C (-4°F)	35°C (95°F)
1520	4 HI	83	0-10V 5%	21,437	153	140	20,365	153	133	-40°C (-40°F)	40°C (104°F)
1520	4 HI	90+	0-10V 1%	17,020	155	110	16,169	155	104	-20°C (-4°F)	35°C (95°F)
1520	4 HI	90+	0-10V 5%	17,020	155	110	16,169	155	104	-40°C (-40°F)	35°C (95°F)
1520	EM10 <sup>5</sup>	NA	NA	1090-1400	4	NA	1040-1330	4	NA	0°C (32°F)	35°C (95°F)

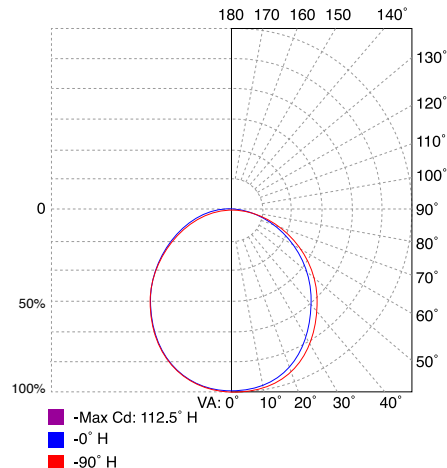
<sup>1</sup> DELIVERED LUMEN DATA IS EXTRAPOLATED FROM MEASURED DATA @25C WITH NO EXTRA OPTIONS. VARIANCES WILL OCCUR WHEN OPTIONS ARE CHOSEN  
<sup>2</sup> WATTAGE IS MEASURED WITH 4000K SELECTION @ 120vAC AND Tambient = 25C. WATTAGES MAY VARY WITH ALTERNATE CONFIGURATIONS  
<sup>3</sup> EFFICACY CALCULATED USING 4000K CCT DATA.  
<sup>4</sup> TEMP RATING MAY VARY WITH SPECIFIED DRIVERS OR ANY NON STANDARD SELECTION  
<sup>5</sup> 90 MINUTE 10W EMERGENCY DRIVER; LUMENS CALCULATED BASED ON FIXTURE EFFICACY. (EX: 10W x 100Lm/W = 1000Lm Delivered)

## PHOTOMETRICS

1520 Optics CP



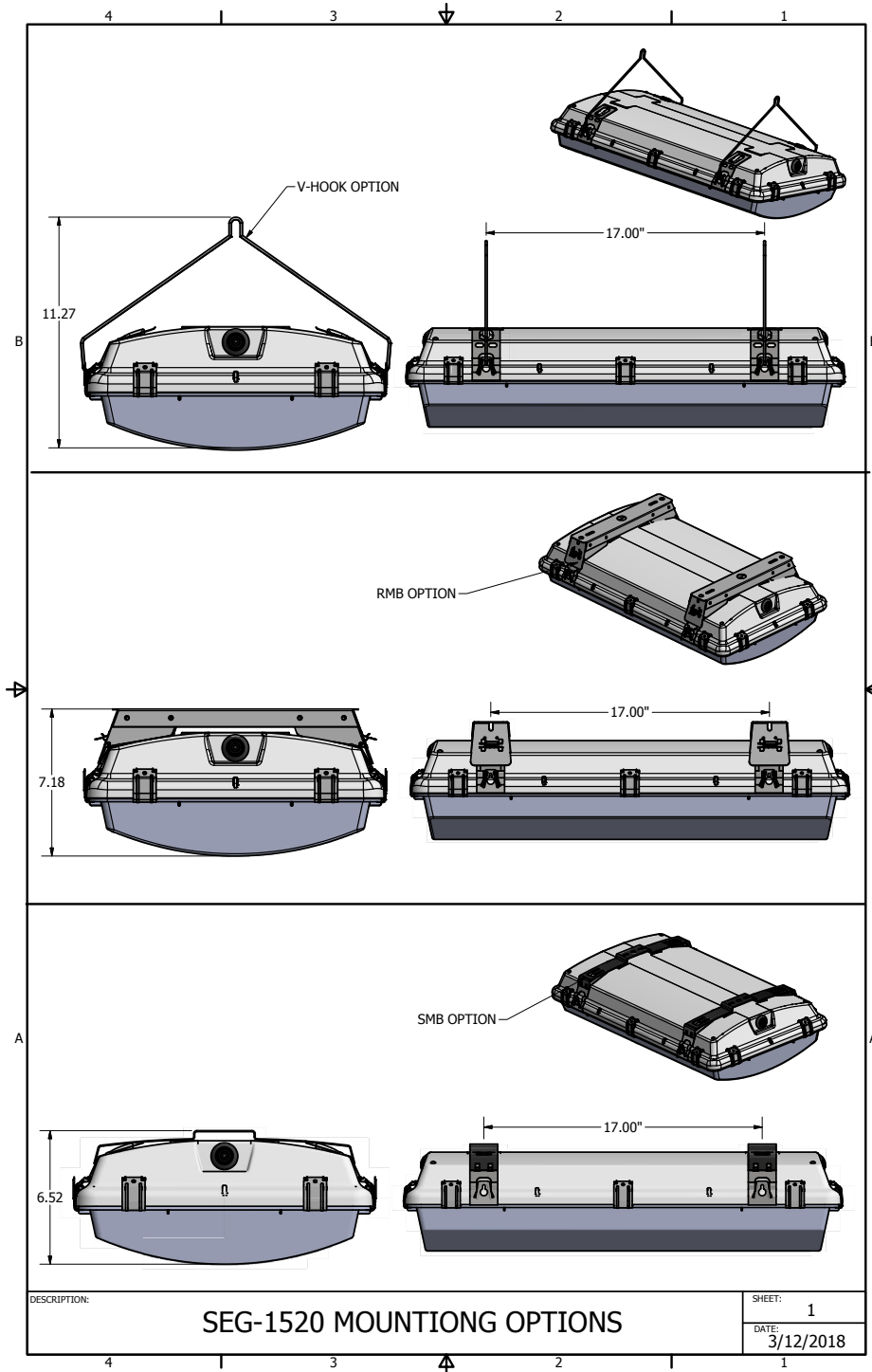
1520 Optics FP



# Wet Location Vaportight: WL-SEG-1520-LED

Wet Location 15" x 2' Linear Vaportight LED Luminaire for Surface or Pendant Mounting

## MOUNTING OPTIONS



# Wet Location Vaportight: WL-SEG-1520-LED

Wet Location 15" x 2' Linear Vaportight LED Luminaire for Surface or Pendant Mounting

## MOUNTING OPTIONS

