

Wet Location Downlight: WL-SBD-LED

Sealed 6" Aperture Recessed LED Downlight for Wet Locations.

- **IP65 Rated**
- **ETL Listed for Wet Locations**
- **Up to 3,400 Lumens Delivered**
- **BAA Compliant & Made in the USA by a Family Owned US Corporation**



DISCLAIMER: Although KURTZON has prepared the information contained in this document with all due care, KURTZON does not warrant or represent that the information is free from errors or omission. Whilst the information is considered to be true and correct at the date of publication, changes in circumstances after the time of publication may impact on the accuracy of the information. The information may change without notice and KURTZON is not in any way liable for the accuracy of any information printed and stored or in any way interpreted or used.

ORDERING GUIDE

| Series | Material | Size | LED Type | CCT/CRI | Voltage | Baffle | Door (Trim) | Optics | Options |
|---------------|-----------------------|------------------|---|------------------|------------------------------------|-------------------------------|-------------------------------|--|--|
| WL-SBD | 4 | 8 | | | UNV | | | | |
| Series | Material | Size | Light Source | | Voltage | Baffle | Door (Trim) Finish | Optics | Options |
| WL-SBD | 4 Non-Magnetic | 8 Housing | DLM15: 1500LM Package | 83 CRI: | UNV: 120V-277V ³ | WB: White Grooved | WF: White Painted Trim | LEX: 0.125" Clear Flat Polycarbonate Lens | FC Fuse & Holder (One Supplied Per Circuit) |
| | | | DLM20: 2000LM Package | 830 3000K | | BB: Black Grooved | ST: Polished Stainless | FPL: 0.125" Frosted Flat Polycarbonate Lens | EM7 Remote Mount 7W Battery Pack (Specify |
| | | | DLM30: 3000LM Package | 835 3500K | | NB: Nickel Baffle | | FAL: 0.125" Frosted Flat Acrylic Lens | PxL* Programmed to User Specified Lumen Value. |
| | | | | 840 4000K | | SR: Specular Reflector | | GH8S: 0.125" Flatt Diffused Polycarbonate With Glare Suppression | PxW* Programmed to User Specified Wattage Value. |
| | | | | 850 5000K | | | | 250CFP: 0.250" Clear Flat Polycarbonate Lens | 10KV 10KV Parallel Surge Protection (One Supplied |
| | | | | 90+ CRI: | | | | | LDE1 Lutron Hi-Lume 1% Ecosystem LED Driver |
| | | | | 930 3000K | | | | | Note*: Specify Value in Ordering Notes Below |
| | | | | 935 3500K | | | | | |
| | | | | 940 4000K | | | | | |
| | | | NOTE: Lumen packages are nominal, verify actual values on the energy data chart | | | | | Note*: LEX option is standard and will be provided when no other option is selected. | |

Ordering Notes, If Applicable

Wet Location Downlight: WL-SBD-LED

Sealed 6" Aperture Recessed LED Downlight for Wet Locations.

SPECIFICATIONS

HOUSING: Stainless steel body and spun aluminum housing and plaster frame.

DOOR FRAME: Aluminum or stainless steel formed with continuous lens hold-down system and screwless entry.

GASKETS: One piece gasket located at interface of door to housing silicone seals the door to the lens.

REFLECTOR: Supplied with a wide variety of baffles and reflectors. See options for availability.

OPTICS: Clear non-prismatic nominal 1/8" thick polycarbonate lens is standard and will be provided when no options are selected. Other options include frosted or glare suppression film overlays. All lenses are mechanically secured and silicone sealed to door frame.

LED: LEDs are available in several lumen configurations as well as 80 & 90 CRI. Up to 3400 Lumens delivered and supplied with an integrated heatsink to maintain thermal efficiency and prolong the life of the light engine.

ELECTRICAL: Integrated constant current static low voltage DC commercially available driver designed specifically for LED array. Driver has 0-10V dimming control to 1%. See options for specified drivers, Lutron controls compatible driver, or other electrical component availability.

INSTALLATION: Four adjustable L-brackets allow for seismic support and secure attachment to metal T-Bars, joists or structural metal framing. Sealed 1/2 inch trade size knockouts for wiring. Suitable for 1, 1.5 and 2 inch T-bar widths as well as drywall or plaster ceilings. Suitable for NON-IC installation.

FINISH: Antimicrobial white polyester powder coat on doorframe surface. Stainless steel trims are satin polished.

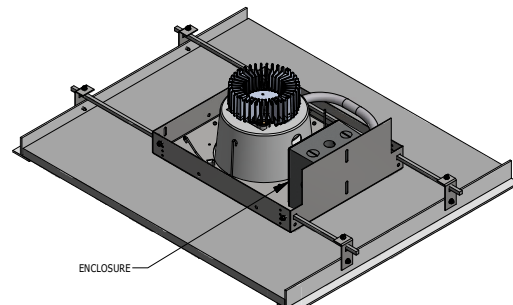
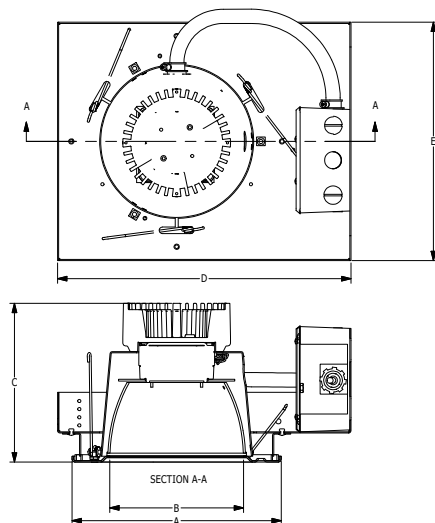
LISTINGS: ETL Listed for Wet Locations. Suitable for non-IC installation. IP-65 dust and water resistance. IBEW Union Label. This product is Buy American Act (B.A.A.) compliant.

5/10 YEAR WARRANTY: The driver(s), LED's and EM packs are covered by a five (5) year warranty. The remaining fixture is covered by a ten (10) year warranty. See warranty statement at kurtzon.com for complete details.

PRODUCT DRAWINGS

DOWNLIGHT REFERENCE DIMENSIONS

| MODEL | DIM A | DIM B | DIM C | DIM D | DIM E | DIM F |
|---------|-------|-------|-------|--------|--------|--------|
| SBD/IBD | 9.00" | 5.75" | 6.85" | 12.65" | 10.25" | 26.00" |



Wet Location Downlight: WL-SBD-LED

Sealed 6" Aperture Recessed LED Downlight for Wet Locations.

ENERGY DATA

| SEALED LED DOWNLIGHT | | | | | | |
|----------------------|-----|------------------------------------|--------------------------|-----------------|----------------------|------------------------------------|
| LIGHT PACKAGE | CRI | DELIVERED LUMENS (Lm) ¹ | WATTAGE (W) ² | EFFICACY (LM/W) | DIMMING AVAILABILITY | MAX AMBIENT TEMP (°C) ³ |
| DLM15 | 80+ | 1,536 | 18 | 85.3 | 0-10V 1% | 40°C (104°F) |
| DLM15 | 90+ | 1,532 | 21 | 73.0 | 0-10V 1% | 40°C (104°F) |
| DLM20 | 80+ | 2,117 | 21 | 100.8 | 0-10V 1% | 40°C (104°F) |
| DLM20 | 90+ | 2,047 | 30 | 68.2 | 0-10V 1% | 40°C (104°F) |
| DLM30 | 80+ | 3,454 | 42 | 82.2 | 0-10V 1% | 40°C (104°F) |
| DLM30 | 90+ | 3,277 | 51 | 64.3 | 0-10V 1% | 40°C (104°F) |
| EM7 | NA | 440-570Lm | 4 | NA | 0-10V 1% | 35°C (95°F) |

- 1: DELIVERED LUMEN DATA IS EXTRAPOLATED FROM MEASURED DATA @25C WITH NO EXTRA OPTIONS.
- 2: WATTAGE IS MEASURED @ 120vAC AND Tambient = 25C. WATTAGES MAY VARY AND WHEN OPTIONS ARE SELECTED
- 3: MAX TEMP RATING IS WITH NO OTHER OPTIONS SELECTED.(NON-IC)

PHOTOMETRICS

CLEAR FLAT LENS

