

Wet Location 1X1 Troffers: WL-F-1x1-LED

1x1 High Efficiency LED Recessed Luminaire

- **IP65 Rating**
- **ETL Listed for Wet Locations**
- **Up to 4400 lm Delivered**
- **Shallow housing only 3” deep**
- **Heavy duty seam welded construction made of 16Ga steel**
- **Suitable for recessed flange installation**
- **B.A.A. & B.A.B.A Compliant & Made in the USA by a Family Owned US Corporation**



DISCLAIMER: Although KURTZON has prepared the information contained in this document with all due care, KURTZON does not warrant or represent that the information is free from errors or omission. While the information is considered to be true and correct at the date of publication, changes in circumstances after the time of publication may impact on the accuracy of the information. The information may change without notice and KURTZON is not in any way liable for the accuracy of any information printed and stored or in any way interpreted or used.

ORDERING GUIDE

Series	Material	Size	Row Qty.	CCT/CRI	Voltage	Optics	Options
WL-F		1x1					
Series	Material	Size	Light Source		Voltage	Optics	Options
WL-F	1 White CRS Hsg. & White CRS Door	1x1 Nominal 1x1 Hsg. Housing	Row Qty.	CCT/CRI	120V	P12ACR 0.135" P12 Prismatic Impact Resistant Acrylic (Inverted)	SW Wet Location Hub Supplied (not installed)
			LO	83 CRI:		LEX 0.125" P12 Prismatic Polycarbonate (Inverted)	PxL * Programmed to User Specified Lumen Value.
	2 White CRS Hsg. & Polished 304 SS Door		MED	830 3000K	277V	A19 0.156" A19 Prismatic Impact Resistant Acrylic (Inverted)	PxW * Programmed to User Specified Wattage Value.
			HI	835 3500K	UNV	TG 0.156" Prismatic Tempered Glass (Inverted)	10KV 10KV Parallel Surge Protection (One Supplied Per Circuit)
	3 White 304 SS Hsg. & Polished 304 SS Door		840 4000K	347V*	HIA 0.140" P12 Prismatic High Impact Resistant Acrylic (Inverted)	WHIP Must Specify Length and Wire Qty	
			850 5000K		FROST 0.125" Flat Diffusing Frost Acrylic	FC Fuse & Holder (One Supplied Per Circuit)	
			90+ CRI:	*347V Available with 10% dimming, not all options are compatible with 347V	2DBW 0.125" Flat Diffused Acrylic with Bi-Directional Batwing Distribution	EDL -40F Electronic Driver	
			930 3000K		LBW 0.125" Flat Diffused Acrylic with Linear Batwing Distribution	WHT White Finished Door & HSG	
	935 3500K			GH85 0.125" Flat Diffused Acrylic with Glare Suppression Distribution	AMW Anti-Microbial White Powdercoat		
						EM7 7W EM Battery Pack	
NOTE: P12ACR option is standard and will be provided when no other option is selected						Note*: Specify Value in Ordering Notes	

Ordering Notes, If Applicable

Wet Location 1X1 Troffers: WL-F-1x1-LED

1x1 High Efficiency LED Recessed Luminaire

SPECIFICATIONS

HOUSING: Hole free construction and robotically Seam welded 16Ga Stainless Steel or CRS enclosure.

DOOR FRAME: 16-gauge CRS or type 304 stainless steel one piece inset door frame hinged to housing with stainless steel cable. Door frame secured with four captive stainless steel fasteners.

GASKETS: Closed cell 100% pure neoprene gasket with vulcanized corners making a one-piece oil and solvent resistant gasket system.

OPTICS: Standard P12 prismatic acrylic lens is provided when no other options are selected. All prismatic lensing options come with an inverted lens so the smooth side faces the room for easy cleaning. All optics are sealed to the door with NSF listed RTV silicone sealant. Other optics are available, consult factory for more information or options not listed.

LEDS: LED boards are available in 80 or 90 CRI, 3000K, 3500K, or 4000K in 3 standard lumen output levels.

DRIVERS: Class P, Class 2, 0-10v 1% dimming driver standard. See options for low ambient temp availability.

REFLECTOR: Die formed metal with high reflectance white polyester powder coat finish. Typical reflectivity 92%.

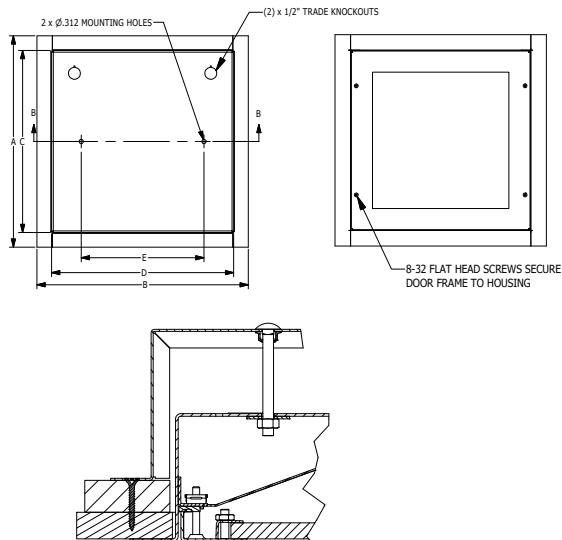
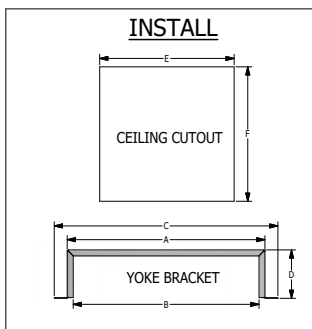
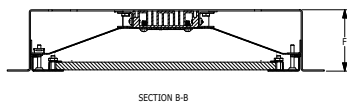
INSTALLATION: Recessed flange fixtures are installed with (1) yoke mounting kits including yokes, carriage bolts, nuts, & gasketed washers. Supply entry via 1/2" trade size flattened knockouts for Non-IC installation.

FINISH: Stainless steel door frames are satin polished unless WHT or AMW options are selected. All other materials are provided with gloss high reflectance white polyester powdercoat with 1000hr salt spray test per ASTM B117. AMW option provides a white anti-microbial polyester powder coat to all exposed surfaces.

LISTINGS: IP65 rated for dust and water ingress. ETL listed per UL_1598 for wet locations. Drivers and LEDs are covered by a 5 year warranty, the remaining fixture is covered by a 10 year warranty. This product Series is both Build America Buy America (B.A.B.A.) & Buy American Act (B.A.A.) compliant.

PRODUCT DRAWINGS

RECESSED 1X1 REFERENCE DIMENSIONS						
DESCRIPTION	DIM A	DIM B	DIM C	DIM D	DIM E	DIM F
RECESSED	15.50"	15.50"	13.38"	13.38"	9.00"	3.00"
INSTALL	14.50"	13.63"	16.40"	3.55"	13.50"	13.50"



08-AA-L-1X1 REC DWG DATE: 1/11/2021

Wet Location 1X1 Troffers: WL-F-1x1-LED

1x1 High Efficiency LED Recessed Luminaire

ENERGY DATA

1X1 SURFACE AND RECESSED TROFFER										
FITTURE SIZE	LIGHT PACKAGE	CLEAR LENS			FROST LENS			AMB TEMP RATING ⁴		STANDARD DIMMING
		LUMENS ¹	WATTS ²	EFFICACY ³	LUMENS ¹	WATTS ²	EFFICACY ³	MIN	MAX	
1X1	LO	2,300	20	115	2,114	20	106	-20°C (-4°F)	40°C(104°F)	0-10V 1%
1X1	MID	3,270	30	109	3,000	30	100	-20°C (-4°F)	40°C(104°F)	0-10V 1%
1X1	HI	4,840	45	108	4,445	45	99	-20°C (-4°F)	40°C(104°F)	0-10V 1%

- ¹ DELIVERED LUMEN DATA IS EXTRAPOLATED FROM MEASURED DATA @25C WITH NO EXTRA OPTIONS. VARIANCES WILL OCCUR WITH ALTERNATE SELECTIONS
- ² WATTAGE IS MEASURED WITH 4000K SELECTION @ 120vAC AND Tambient = 25C. WATTAGES MAY VARY WITH ALTERNATE CONFIGURATIONS
- ³ EFFICACY CALCULATED USING 4000K CCT DATA.
- ⁴ MAX AMBIENT TEMP RATING. TEMP RATING MAY VARY WITH ALTERNATE SPECIFIED DRIVERS OR ANY NON STANDARD SELECTION
- ⁵ LUMEN OUTPUT OF 90 MINUTE 7W EMERGENCY DRIVER IS CALCULATED BASED ON EFFICACY (7W) * (EFFICACY) = DELIVERED LUMENS.

PHOTOMETRICS

P12ACR LENS

Fixture Size: 1'x1'

Key:

