

Wet Location Corner Mount: WL-COR-LED

Linear Corner Mount High Efficiency Luminaires

- **IP55 Rating**
- **ETL Listed for Wet Locations**
- **Channel inset door frame**
- **Robotically seam welded housing**
- **0-10V 1% dimming standard**
- **B.A.A. & B.A.B.A Compliant & Made in the USA by a Family Owned US Corporation**



DISCLAIMER: Although KURTZON has prepared the information contained in this document with all due care, KURTZON does not warrant or represent that the information is free from errors or omission. While the information is considered to be true and correct at the date of publication, changes in circumstances after the time of publication may impact on the accuracy of the information. The information may change without notice and KURTZON is not in any way liable for the accuracy of any information printed and stored or in any way interpreted or used.

ORDERING GUIDE

Series	Material	Size	Row Qty.	LED Type	CCT/CRI	Voltage	Optics	Options
WL-COR		40		LEDR				
Series	Material	Size	Row Qty.	Light Source		Voltage	Optics	Options
WL-COR	1 White CRS Ext. Hsg. & White CRS Int.	40: 4' Housing	1	LEDR	83 CRI:	120V	P12ACR	SW Wet Location Hub Supplied (not installed)
			2		830 3000K		277V	
	2 White CRS Hsg. & Polished 304 SS Door	MAX 2 Arrays Total			835 3500K		A19	PxW * Programmed to User Specified Wattage Value.
					840 4000K		UNV	
	3 White SS Hsg. & Polished 304 SS Door				850 5000K		TG	10KV 10KV Parallel Surge Protection (One Supplied Per Circuit)
							HIA	
	4 White AL Hsg. & Polished 304 SS Door				90+ CRI:		FROST	WHIP Must Specify Length and Wire Qty
					935 3500K		2DBW	
					940 4000K		LBW	FC Fuse & Holder (One Supplied Per Circuit)
							GH85	
					NOTE: Additionally available in 95+ CRI with Seoul Sun-Like LEDs. Consult factory for more information.	NOTE: P12ACR option is standard and will be provided when no other option is selected.		
Note*: Specify Value in Ordering Notes Below								

Ordering Notes, If Applicable

Wet Location Corner Mount: WL-COR-LED

Linear Corner Mount High Efficiency Luminaires

SPECIFICATIONS

HOUSING: Hole free, robotically seam welded housing has flattened knockouts for a superior seal. Available in .040" 3003 Aluminum, 20Ga 430 Stainless Steel, or 20Ga Cold Rolled Steel.

DOOR FRAME: Inset door frame made from welded channels regresses into the housing to allow the neoprene gasket to seal to the housing. Door frame is hinged by aircraft cables and secures to housing with captive stainless steel pan head screws. Available in 20Ga Powder Coated Cold Rolled Steel, 20Ga 304 Polished SS.

GASKETS: Closed cell 100% pure neoprene gasket with vulcanized corners making a one-piece oil and solvent resistant gasket system.

OPTICS: Standard P12 prismatic acrylic lens is provided when no other options are selected. All prismatic lensing options come with an inverted lens so the smooth side faces the room for easy cleaning. Other optics are available, consult factory for more information or options not listed.

LEDS: Commercially available in a wide variety of Color Temperature (CCT), FLUX, and CRI. Highly efficient and consistent color maintained to 3 SDMC for color critical applications. B50/L70 and compliant with Zhaga recognized hole patterns. Consult factory for LED options or configurations not listed below.

DRIVERS: Standard Universal Voltage Class 2 drivers are 0-10v Dimmable to 1% and rated -20C (-4F). They come with at least 2.5Kv surge protection, have less than 10% THD at max load, Ballast Factor Greater than .95 and are programmable to match specific lumen or wattage requirements. Drivers with higher input voltage ratings are available, consult factory for driver specifications.

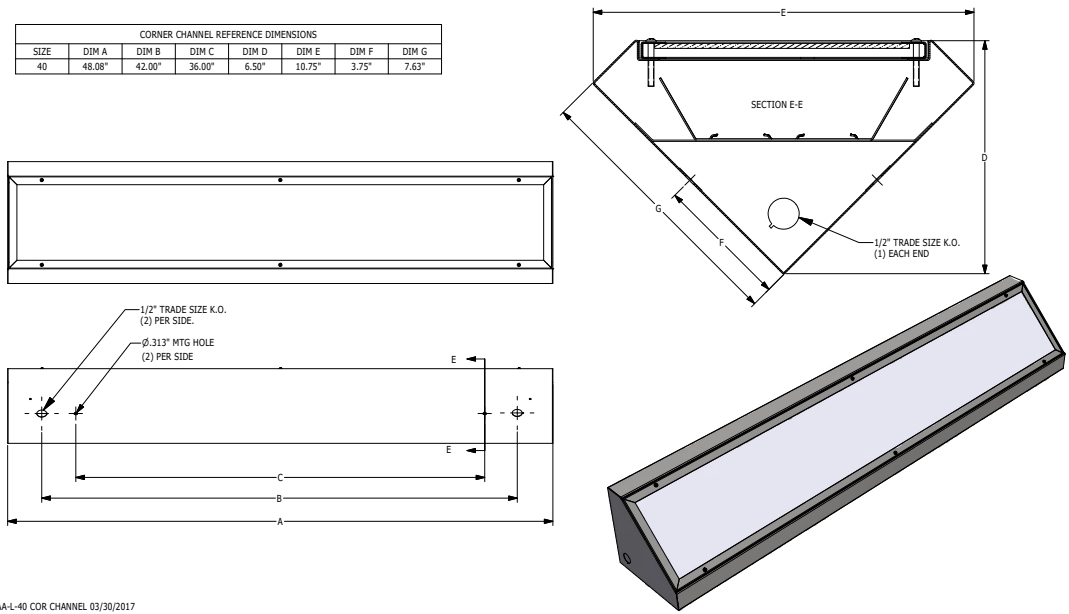
REFLECTOR: Die formed metal with high reflectance white polyester powder coat finish. Typical reflectivity 92%.

INSTALL SURFACE: Four .312" holes for surface mounting. Knockouts provided for conduit entry. Suitable for through wiring. Suitable for surface installation onto covered ceiling only.

FINISH: Stainless steel door frames are satin polished unless WHT or AMW options are selected. All other materials are provided with gloss high reflectance white polyester powder coat with 1000hr salt spray test per ASTM B117. AMW option provides a white anti-microbial polyester powder coat to all exposed surfaces.

LISTINGS: IP55 rated for dust and water ingress. ETL listed per UL_1598 for wet locations. Drivers and LEDs are covered by a 5 year warranty, the remaining fixture is covered by a 10 year warranty. This product Series is both Build America Buy America (B.A.B.A.) & Buy American Act (B.A.A.) compliant.

PRODUCT DRAWINGS



Wet Location **Corner Mount: WL-COR-LED**

Linear Corner Mount High Efficiency Luminaires

ENERGY DATA

CHANNEL DOOR CORNER MOUNT SURFACE FIXTURE										
ENCLOSURE SIZE	LED SELECTION	STANDARD DIMMING	83 CRI (3000K - 5000K)				90+ CRI (3500K - 4000K)			
			LUMENS ¹	WATTS ²	EFFICACY ³	MAX AMB TEMP ⁴	LUMENS ¹	WATTS ²	EFFICACY ³	MAX AMB TEMP ⁴
40	1LEDR	0-10V 1%	3,300	30	110	40°C	2,699	32	84	40°C
40	2LEDR	0-10V 1%	6,216	56	111	40°C	5,085	58	88	40°C
40	EM10 ⁵	NA	1100-1110	4	NA	35°C	840-880	4	NA	35°C

- ¹ DELIVERED LUMEN DATA IS EXTRAPOLATED FROM MEASURED DATA @25C WITH NO EXTRA OPTIONS. VARIANCES WILL OCCUR WHEN OTHER SELECTIONS ARE MADE
- ² WATTAGE IS MEASURED WITH 4000K SELECTION @ 120vAC AND Tambient = 25C. WATTAGES MAY VARY WITH ALTERNATE CONFIGURATIONS
- ³ EFFICACY CALCULATED USING 4000K CCT DATA.
- ⁴ MAX AMBIENT TEMP RATING. TEMP RATING MAY VARY WITH ALTERNATE SPECIFIED DRIVERS OR ANY NON STANDARD SELECTION
- ⁵ 90 MINUTE 10W EMERGENCY DRIVER; LUMENS CALCULATED BASED ON FIXTURE EFFICACY.

PHOTOMETRICS

P12 PRISMATIC

Key:

