

Wet Location Profile Wrap: WL-A LED

Sealed Surface High Efficiency LED Wrap Luminaire



- **ETL Listed for Wet Locations**
- **IP65 Rated**
- **Several mounting options for surface or suspended installation**
- **DLC Listing Available for some configurations**
- **B.A.A. Compliant & Made in the USA by a Family Owned US Corporation**
- **Optionally available for End to End Row Mounting**

DISCLAIMER: Although KURTZON has prepared the information contained in this document with all due care, KURTZON does not warrant or represent that the information is free from errors or omission. While the information is considered to be true and correct at the date of publication, changes in circumstances after the time of publication may impact on the accuracy of the information. The information may change without notice and KURTZON is not in any way liable for the accuracy of any information printed and stored or in any way interpreted or used.



Not all product variations listed on this page are DLC qualified. Visit <https://www.designlights.org/gli> to confirm qualification.

ORDERING GUIDE

Series	Optics	Material	Size	Row Qty.	LED Type	CCT/CRI	Voltage	Options
WL					LEDR			
Series	Optics	Material	Size	Light Source			Voltage	Options
				Row Qty.	LED Type	CCT/CRI		
WL	A Frosted Acrylic	1 White CRS Ext. Hsg. & White CRS Int.	20 2' Housing	1	LEDR	83 CRI:	120V	FC Fuse & Holder (One Supplied Per Circuit)
	LPA Clear Linear Prismatic Poly	3 Polished 304 SS Ext. & 304 SS Int.	40 4' Housing	2		830 3000K	277V	EDL -40F Electronic Driver
	FPA Frosted Linear Prismatic Poly	4 White Alum Ext. & White CRS Int.				835 3500K	UNV	EM10** 10W Integral LED EM (Specify Input Voltage)
						840 4000K	347V*	CRM Continuous Row Mounting
						850 5000K		TP Stainless Steel Tamperproof Fasteners
						90+ CRI:		SW Sealed Wireway for Conduit End Feed (each end)
						935 3500K		WHT White Finished Door & HSG
						940 4000K		PMB (2) Pendant Mount Brackets (Pendants or Chains by Others)
						950 5000K		CMB (2) Corner Mount Brackets
								AMB (2) Adjustable Mount Brackets
						PxL* Programmed to User Specified Lumen Value.		
						PxW* Programmed to User Specified Wattage Value.		
						10KV 10KV Parallel Surge Protection (One Supplied Per Circuit)		
						GTD*** Generator Transfer Device		
						WHIP Must Specify Length and Wire Qty		
						OCCMW Integral microwave occ sensor (32' max)		
						OCCHB External PIR occ sensor (end mount 20'-40')		
						OCCLB External PIR occ sensor (end mount 8'-10')		
						AMW Anti-Microbial White Powdercoat		
						Note: EM10 remote mount for 2' housing *Note: specify value in ordering notes below *Note: GTD n/a for 2' housing		

Ordering Notes, if Applicable

Wet Location Profile Wrap: WL-A LED

Sealed Surface High Efficiency LED Wrap Luminaire

SPECIFICATIONS

HOUSING: Double channel housing of 20Ga 1008 Cold Rolled Steel, 20Ga 304 Stainless Steel, or .040" 3003 Aluminum construction.

END CAPS: Precision stamped 20Ga 304 Stainless Steel end caps secured to housing with captive stainless steel flush head screws. SW Option provides a 3 piece conduit hub/ring/plug assembly installed in the endcap.

GASKETS: Closed cell 100% pure neoprene gasketing. Resists aging, grease and solvents.

OPTICS: All lensing is extruded from a nominal 1/8" plastic material. Available in frosted acrylic, Clear Polycarbonate with linear ribs, or Clear Polycarbonate with a frosted inlay.

LEDS: Commercially available in a wide variety of Color Temperature (CCT), FLUX, and CRI. Highly efficient and consistent color maintained to 3 SDMC for color critical applications. B50/L70 and compliant with Zhaga recognized hole patterns. Consult factory for LED options or configurations not listed below.

DRIVERS: Standard Universal Voltage Class 2 drivers are 0-10v Dimmable to 1% for most LED configurations. They come with at least 2.5Kv surge protection, have less than 10% THD at max load, Ballast Factor Greater than .95 and are programmable to match specific lumen or wattage requirements. Drivers with higher input voltage ratings are available, consult factory for driver specifications.

REFLECTOR: Die formed metal with high reflectance white polyester powder coat finish. Typical reflectivity 92%.

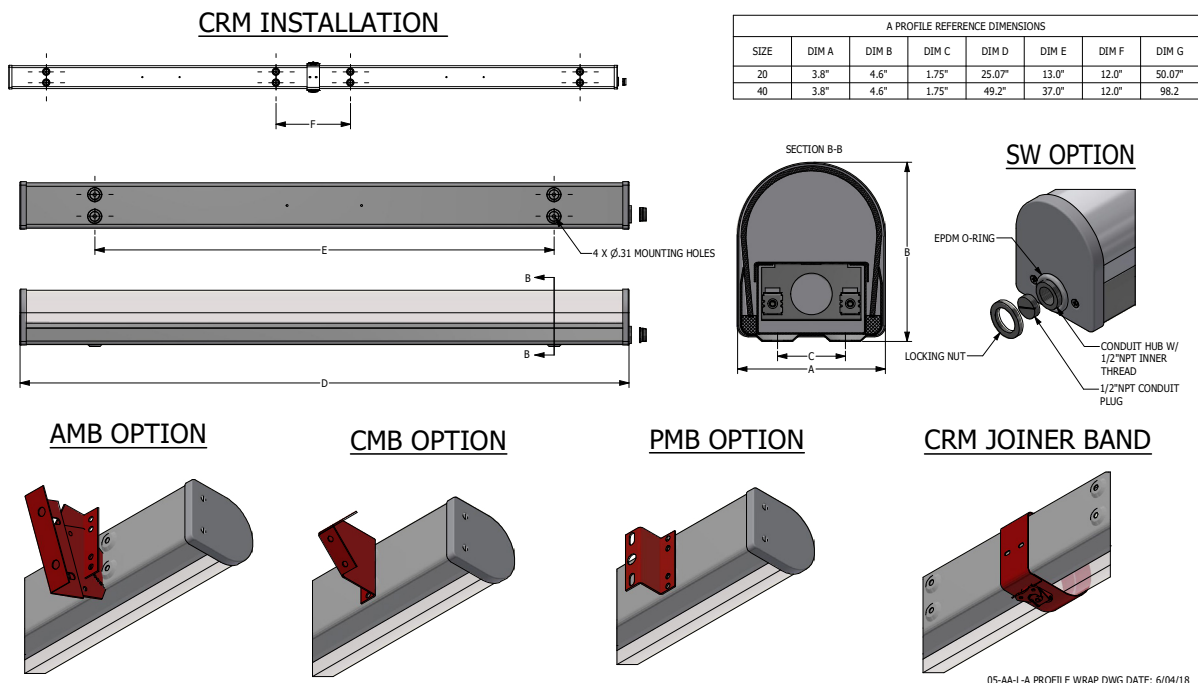
INSTALLATION: Suitable for wet location installation under covered ceilings only. Luminaire is provided with four 5/16" debossed holes for mounting. Power is brought in though 1/2" flattened conduit K.O. located on the bottom of luminaire. Power can also be brought through the end of the luminaire with SW option selected. Suitable for thru wiring.

ROWS: Joiner bands provided for continuous row mounting (See Option: CRM). Please specify number of fixtures in each run.

FINISH: Stainless steel housings are satin polished unless WHT or AMW options are selected. All other materials are provided with gloss high reflectance white polyester powder coat with 1000hr salt spray test per ASTM B117. AMW option provides a white anti-microbial polyester powder coat to all exposed surfaces.

LISTINGS: IP65 rated for dust and water ingress. ETL listed per UL_1598 for wet locations. Drivers and LEDs are covered by a 5 year warranty, the remaining fixture is covered by a 10 year warranty. This product is Buy American Act (B.A.A.) compliant.

PRODUCT DRAWINGS



Wet Location A Profile Wrap: WL-A-LED

Sealed 4' Linear High Efficiency LED Surface A-Profile Wrap

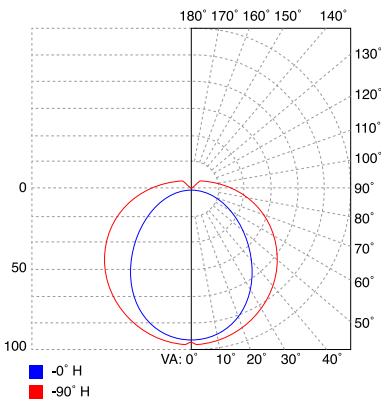
ENERGY DATA

A* PROFILE LED WRAP (APPROX ¹ LUMENS DELIVERED)											
LENS TYPE	ENCLOSURE SIZE	LED SELECTION	STANDARD DIMMING	83 CRI (3000K - 5000K)				90 CRI (3500K - 4000K)			
				LUMENS	WATTS ²	EFFICACY ³	MAX AMB TEMP ⁴	LUMENS	WATTS ²	EFFICACY ³	MAX AMB TEMP ⁴
A	20	1LEDR	0-10V 1%	1,830	15	122	40°C (104°F)	1,768	15	118	40°C (104°F)
FPA	20	1LEDR	0-10V 1%	1,480	15	99	40°C (104°F)	1,430	15	95	40°C (104°F)
LPA	20	1LEDR	0-10V 1%	1,850	15	123	40°C (104°F)	1,787	15	119	40°C (104°F)
A	20	2LEDR	0-10V 1%	3,668	29	126	40°C (104°F)	3,543	29	122	40°C (104°F)
FPA	20	2LEDR	0-10V 1%	2970	29	102	40°C (104°F)	2869	29	99	40°C (104°F)
LPA	20	2LEDR	0-10V 1%	3717	29	128	40°C (104°F)	3591	29	124	40°C (104°F)
A	40	1LEDR	0-10V 1%	3790	29	130	45°C (113°F)	3483	29	120	45°C (113°F)
FPA	40	1LEDR	0-10V 1%	3524	29	122	45°C (113°F)	3239	29	112	45°C (113°F)
LPA	40	1LEDR	0-10V 1%	3862	29	133	45°C (113°F)	3550	29	122	45°C (113°F)
A	40	2LEDR	0-10V 1%	7553	57	133	45°C (113°F)	6925	57	121	45°C (113°F)
FPA	40	2LEDR	0-10V 1%	7027	57	123	45°C (113°F)	6450	57	113	45°C (113°F)
LPA	40	2LEDR	0-10V 1%	7697	57	135	45°C (113°F)	7070	57	124	45°C (113°F)

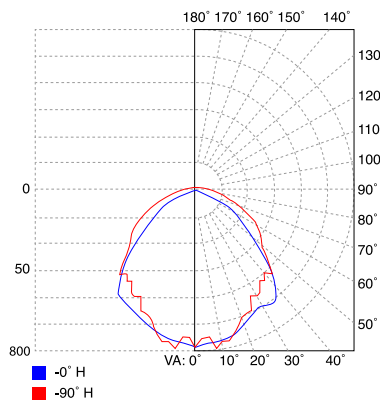
¹ DELIVERED LUMEN DATA IS EXTRAPOLATED FROM MEASURED DATA @25C WITH NO EXTRA OPTIONS. VARIANCES WILL OCCUR WHEN OTHER SELECTIONS ARE MADE
² WATTAGE IS MEASURED WITH 4000K SELECTION @ 120vAC AND Tambient = 25C. WATTAGES MAY VARY WITH ALTERNATE CONFIGURATIONS
³ EFFICACY CALCULATED USING 4000K CCT DATA.
⁴ MAX AMBIENT TEMP RATING. TEMP RATING MAY VARY WITH ALTERNATE SPECIFIED DRIVERS OR ANY NON STANDARD SELECTION
⁵ DELIVERED LUMENS FOR EM10 = (10W)(EFFICACY) = DELIVERED LUMENS. EM10 ADDS 4W TO TOTAL LUMINARE

PHOTOMETRICS

A Optics



LPA Optics



FPA Optics

