

Vandal 1X1 Troffers: VL-F-1X1-LED

1x1 High Efficiency LED Recessed Luminaire

- **IP65 Rating**
- **Polycarbonate Lensing up to 1/2" thick**
- **Suitable for Use in Wet Locations**
- **Up to 4400 lm Delivered**
- **B.A.A. Compliant & Made in the USA by a Family Owned US Corporation**
- **Shallow housing only 3" deep**
- **Heavy duty seam welded construction made of 16Ga steel**
- **Suitable for recessed flange installation**



DISCLAIMER: Although KURTZON has prepared the information contained in this document with all due care, KURTZON does not warrant or represent that the information is free from errors or omission. While the information is considered to be true and correct at the date of publication, changes in circumstances after the time of publication may impact on the accuracy of the information. The information may change without notice and KURTZON is not in any way liable for the accuracy of any information printed and stored or in any way interpreted or used.

ORDERING GUIDE

Series	Material	Size	Source	CCT/CRI	Voltage	Outter Lense/Inner Lens	Options
VL-F		1x1					
Series	Material	Size	Source	CCT/CRI	Voltage	Outter Lens/Inner Lens	Options
VL-F	1 White CRS Hsg. & White CRS Door	1x1 Nominal 1x1 Hsg.	LO	83 CRI:	120V	Prismatic	SW Wet Location Hub Supplied (not installed)
			MED	830 3000K	277V	1 .125" P12 Prismatic Poly	PxL * Programmed to User Specified Lumen Value.
	2 White CRS Hsg. & Polished 304 SS Door		HI	835 3500K	UNV	2 .125" P12 Prismatic Acrylic	PxW * Programmed to User Specified Wattage Value.
				840 4000K	347V*	3 .156" P12 Prismatic Acrylic	10KV 10KV Parallel Surge Protection (One Supplied Per Circuit)
	3 White 304 SS Hsg. & Polished 304 SS Door			850 5000K			WHIP Must Specify Length and Wire Qty
							FC Fuse & Holder
				90+ CRI:			EDL -40F Electronic Driver
				930 3000K			WHT White Finished Door & HSG
				935 3500K			AMW Anti-Microbial White Powdercoat
				940 4000K			AH Allen Head with Center Pin Reject Screws
					EM7 7W EM Battery Pack		

*347V Available with 10% dimming, not all options are compatible with 347V

*Select up to 1 layer of prismatic lensing

*Note: Specify value in ordering notes

Ordering Notes, If Applicable

Vandal 1X1 Troffers

1x1 High Efficiency LED Luminaire for Surface and Recessed Installations

SPECIFICATIONS

HOUSING: Hole free construction and robotically Seam welded 16Ga Stainless Steel or CRS enclosure.

DOOR FRAME: 16-gauge CRS or type 304 stainless steel one piece inset door frame hinged to housing with stainless steel cable. Door frame secured with four Torx Head with Center Pin Reject Stainless steel Screws. see options for other screw choices.

GASKETS: Closed cell 100% pure neoprene gasket with vulcanized corners making a one-piece oil and solvent resistant gasket system.

OPTICS: Available in Prismatic and flat polycarbonate lensing. specify up to 2 lenses for a combined thickness of 1/2" max.

LEDS: LED boards are available in 80 or 90 CRI, 3000K, 3500K, or 4000K in 3 standard lumen output levels.

DRIVERS: Class P, Class 2, 0-10v 1% dimming driver standard. see options for low ambient temp availability.

REFLECTOR: Die formed metal with high reflectance white polyester powder coat finish. Typical reflectivity 92%.

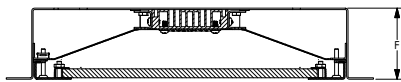
INSTALLATION: Recessed flange fixtures are installed with (1) yoke mounting kits including yokes, carriage bolts, nuts, & gasketed washers. Supply entry via 1/2" trade size flattened and silicone sealed knockouts for Non-IC installation.

FINISH: Stainless steel door frames are satin polished unless WHT or AMW options are selected. All other materials are provided with gloss high reflectance white polyester powdercoat with 1000hr salt spray test per ASTM B117. AMW option provides a white anti-microbial polyester powder coat to all exposed surfaces.

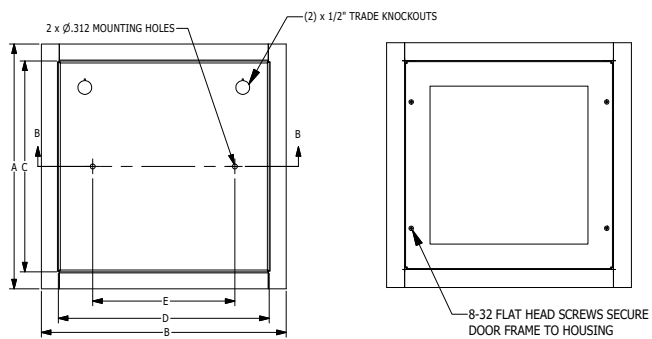
LISTINGS: IP65 rated for dust and water ingress. ETL listed per UL_1598 for wet locations. Drivers and LEDs are covered by a 5 year warranty, the remaining fixture is covered by a 10 year warranty. This product is Buy American Act (B.A.A.) compliant.

PRODUCT DRAWINGS

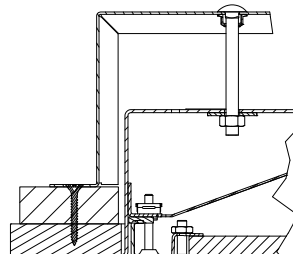
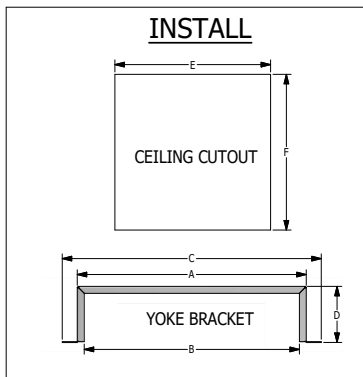
RECESSED 1X1 REFERENCE DIMENSIONS						
DESCRIPTION	DIM A	DIM B	DIM C	DIM D	DIM E	DIM F
RECESSED	15.50"	15.50"	13.38"	13.38"	9.00"	3.00"
INSTALL	14.50"	13.63"	16.40"	3.55"	13.50"	13.50"



SECTION B-B



8-32 FLAT HEAD SCREWS SECURE DOOR FRAME TO HOUSING



08-AA-L-1X1 REC DWG DATE: 1/11/2021

Vandal 1X1 Troffers

1x1 High Efficiency LED Luminaire for Surface and Recessed Installations

ENERGY DATA

1X1 SURFACE AND RECESSED TROFFER										
FITTURE SIZE	LIGHT PACKAGE	CLEAR LENS			FROST LENS			AMB TEMP RATING ⁴		STANDARD DIMMING
		LUMENS ¹	WATTS ²	EFFICACY ³	LUMENS ¹	WATTS ²	EFFICACY ³	MIN	MAX	
1X1	LO	2,300	20	115	2,114	20	106	-20°C (-4°F)	40°C(104°F)	0-10V 1%
1X1	MID	3,270	30	109	3,000	30	100	-20°C (-4°F)	40°C(104°F)	0-10V 1%
1X1	HI	4,840	45	108	4,445	45	99	-20°C (-4°F)	40°C(104°F)	0-10V 1%

¹ DELIVERED LUMEN DATA IS EXTRAPOLATED FROM MEASURED DATA @25C WITH NO EXTRA OPTIONS. VARIANCES WILL OCCUR WITH ALTERNATE SELECTIONS

² WATTAGE IS MEASURED WITH 4000K SELECTION @ 120vAC AND Tambient = 25C. WATTAGES MAY VARY WITH ALTERNATE CONFIGURATIONS

³ EFFICACY CALCULATED USING 4000K CCT DATA.

⁴ MAX AMBIENT TEMP RATING. TEMP RATING MAY VARY WITH ALTERNATE SPECIFIED DRIVERS OR ANY NON STANDARD SELECTION

⁵ LUMEN OUTPUT OF 90 MINUTE 7W EMERGENCY DRIVER IS CALCULATED BASED ON EFFICACY (7W) * (EFFICACY) = DELIVERED LUMENS.

PHOTOMETRICS

P12 PRISMATIC LENSING

Key:

