

# Vandal-Resistant Profile Wrap: VL-D-LED

Sealed 4' Linear High Efficiency LED Surface D-Profile Wrap

- DLC Listing available for some configurations
- IP55 rated
- Several mounting options for surface or suspended installation
- ETL listed for wet locations
- End to end row mounting optional
- B.A.A. Compliant & Made in the USA by a Family Owned US Corporation



Not all product variations listed on this page are DLC qualified. Visit <https://www.designlights.org/api> to confirm qualification.

DISCLAIMER: Although KURTZON has prepared the information contained in this document with all due care, KURTZON does not warrant or represent that the information is free from errors or omission. Whilst the information is considered to be true and correct at the date of publication, changes in circumstances after the time of publication may impact on the accuracy of the information. The information may change without notice and KURTZON is not in any way liable for the accuracy of any information printed and stored or in any way interpreted or used.

## ORDERING GUIDE

Series	Lens Type	Material	Series	Row Qty.	LED Type	CCT/CRI	Voltage	Options
VL			40		LEDR			
Series	Lens Type	Material	Size	Light Source	Options			
VL	D Frosted Acrylic	1 White CRS Ext. Hsg. & White CRS Int.	40: 4' Housing	Row Qty.	LED Type	CCT/CRI	Voltage	Options
				2	LEDR	83 CRI:	120V	FC Fuse & Holder (One Supplied Per Circuit)
				3		830 3000K	277V	EDL -40F Electronic Driver
	LPD Clear Linear Prismatic Poly	3 Polished 304 SS ext. & 304 SS int.		4		835 3500K	UNV	EM10** 10W Integral LED EM (Specify Input Voltage)
						840 4000K	347V*	CRM Continuous Row Mounting
	FPD Frosted Linear Prismatic Poly	4 White Alum Ext. & White CRS Int.				850 5000K		TP Stainless Steel Tamp of Fasteners
						90+ CRI:		SW Wet Location Hub Supplied (not installed)
						935 3500K		WHT White Finished Door & HSG
						940 4000K		PMB (2) Pendant Mount Brackets (Pendants or Chains by Others)
						950 5000K		CMB (2) Corner Mount Brackets
								AMB (2) Adjustable Mount Brackets
								PxL* Programmed to User Specified Lumen Value.
								PxW* Programmed to User Specified Wattage Value.
								10KV 10KV Parallel Surge Protection (One Supplied Per Circuit)
								GTD*** Generator Transfer Device
								WHIP Must Specify Length and Wire Qty
								OCCMW Integral microwave occ sensor (32' max)
								OCCHB External PIR occ sensor (end mount 20'-40')
								OCCLB External PIR occ sensor (end mount 8'-10')
								AMW Anti-Microbial White Powdercoat
*Note: specify value in ordering notes below								

Ordering Notes, If Applicable

# Vandal-Resistant Profile Wrap: VL-D-LED

Sealed 4' Linear High Efficiency LED Surface D-Profile Wrap

## SPECIFICATIONS

**HOUSING:** Double channel housing of 20Ga 1008 Cold Rolled Steel, 20Ga 304 Stainless Steel, or .040" 3003 Aluminum construction.

**END CAPS:** Precision stamped 20Ga 304 Stainless Steel end caps secured to housing with captive stainless steel Torx head screws. SW Option provides a 3 piece conduit hub/ring/plug assembly installed in the endcap.

**GASKETS:** NSF Listed closed cell microcellular extruded KleanLock SealPro gasket with vulcanized corners making a one-piece oil and solvent resistant gasket system.

**OPTICS:** All lensing is extruded from a nominal 1/8" plastic material. Available in frosted acrylic, Clear Polycarbonate with linear ribs, or Clear Polycarbonate with a frosted inlay.

**LEDS:** Commercially available in a wide variety of Color Temperature (CCT), FLUX, and CRI. Highly efficient and consistent color maintained to 3 SDMC for color critical applications. B50/L70 and compliant with Zhaga recognized hole patterns. Consult factory for LED options or configurations not listed below.

**DRIVERS:** Standard Universal Voltage Class 2 drivers are 0-10v Dimmable to 1% for most LED configurations. They come with at least 2.5Kv surge protection, have less than 10% THD at max load, Ballast Factor Greater than .95 and are programmable to match specific lumen or wattage requirements. Drivers with higher input voltage ratings are available, consult factory for driver specifications.

**REFLECTOR:** Die formed metal with high reflectance white polyester powder coat finish. Typical reflectivity 92%.

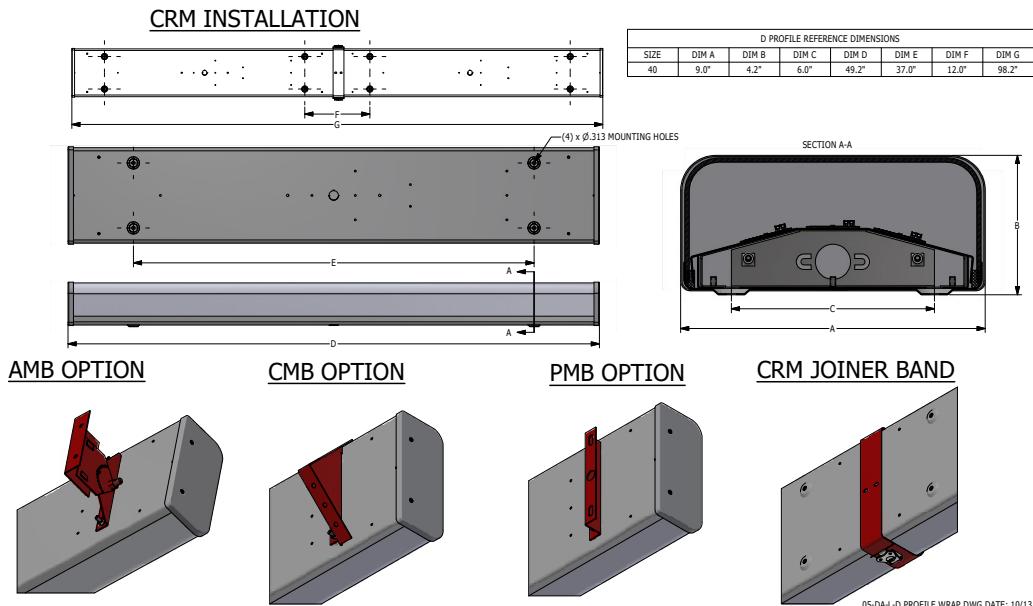
**INSTALLATION:** Suitable for wet location installation under covered ceilings only. Luminaire is provided with four 5/16" debossed holes for mounting. Power is brought in though 1/2" flattened conduit K.O. located on the bottom of luminaire. Power can also be brought through the end of the luminaire with SW option selected. Suitable for thru wiring.

**ROWS:** Joiner bands provided for continuous row mounting (See Option: CRM). Please specify number of fixtures in each run.

**FINISH:** Stainless steel housings are satin polished unless WHT or AMW options are selected. All other materials are provided with gloss high reflectance white polyester powder coat with 1000hr salt spray test per ASTM B117. AMW option provides a white anti-microbial polyester powder coat to all exposed surfaces.

**LISTINGS:** IP55 rated for dust and water ingress. ETL listed per UL\_1598 for wet locations. Drivers and LEDs are covered by a 5 year warranty, the remaining fixture is covered by a 10 year warranty. This product is Buy American Act (B.A.A.) compliant.

## PRODUCT DRAWINGS



# Vandal-Resistant Profile Wrap: VL-D-LED

Sealed 4' Linear High Efficiency LED Surface D-Profile Wrap

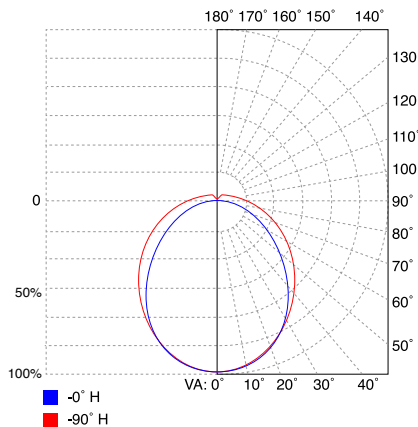
## ENERGY DATA

"D" PROFILE LED WRAP (APPROX* LUMENS DELIVERED)											
LENS TYPE	ENCLOSURE SIZE	LED SELECTION	STANDARD DIMMING	83 CRI (3000K - 5000K)				90 CRI (3500K - 4000K)			
				LUMENS	WATTS <sup>2</sup>	EFFICACY <sup>3</sup>	MAX AMB TEMP <sup>4</sup>	LUMENS	WATTS <sup>2</sup>	EFFICACY <sup>3</sup>	MAX AMB TEMP <sup>4</sup>
D	40	2LEDR	0-10V 1%	8,048	57	142	45°C (113°F)	8,048	57	142	45°C (113°F)
FPD	40	2LEDR	0-10V 1%	7,518	57	133	45°C (113°F)	7,518	57	133	45°C (113°F)
LPD	40	2LEDR	0-10V 1%	8,209	57	145	45°C (113°F)	8,209	57	145	45°C (113°F)
D	40	3LEDR	0-10V 1%	11,952	85	141	45°C (113°F)	11,952	85	141	45°C (113°F)
FPD	40	3LEDR	0-10V 1%	11,165	85	131	45°C (113°F)	11,165	85	131	45°C (113°F)
LPD	40	3LEDR	0-10V 1%	12,191	85	143	45°C (113°F)	12,191	85	143	45°C (113°F)
D	40	4LEDR	0-10V 1%	14,954	113	132	45°C (113°F)	14,971	113	133	45°C (113°F)
FPD	40	4LEDR	0-10V 1%	13,969	113	124	45°C (113°F)	13,969	113	124	45°C (113°F)
LPD	40	4LEDR	0-10V 1%	15,253	113	135	45°C (113°F)	15,253	113	135	45°C (113°F)

- <sup>1</sup> DELIVERED LUMEN DATA IS EXTRAPOLATED FROM MEASURED DATA @25C WITH NO EXTRA OPTIONS. VARIANCES WILL OCCUR WHEN OTHER SELECTIONS ARE MADE
- <sup>2</sup> WATTAGE IS MEASURED WITH 4000K SELECTION @ 120vAC AND Tambient = 25C. WATTAGES MAY VARY WITH ALTERNATE CONFIGURATIONS
- <sup>3</sup> EFFICACY CALCULATED USING 4000K CCT DATA.
- <sup>4</sup> MAX AMBIENT TEMP RATING. TEMP RATING MAY VARY WITH ALTERNATE SPECIFIED DRIVERS OR ANY NON STANDARD SELECTION
- <sup>5</sup> DELIVERED LUMENS FOR EM10 = (10W)\*(EFFICACY) = DELIVERED LUMENS. EM10 ADDS 4W TO TOTAL LUMINARE

## PHOTOMETRICS

D Optics



LPD Optics

