

Vandal Resistant Corner Mount: VL-COR-LED

Vandal Resistant High Abuse Linear Corner Mount High Efficiency LED Wet Location Luminaires

- **Rated IP66**
- **Suitable for use in public spaces**
- **0-10v 1% dimming standard**
- **ETL Listed for Wet Locations**
- **Robotically seam welded housing**
- **.125" Polycarbonate standard.**
- **Made in the USA by a Family Owned US Corporation**
- **B.A.A. Compliant & Made in the USA by a Family Owned US Corporation**



DISCLAIMER: Although KURTZON has prepared the information contained in this document with all due care, KURTZON does not warrant or represent that the information is free from errors or omission. While the information is considered to be true and correct at the date of publication, changes in circumstances after the time of publication may impact on the accuracy of the information. The information may change without notice and KURTZON is not in any way liable for the accuracy of any information printed and stored or in any way interpreted or used.

ORDERING GUIDE

Series	Material	Size	Row Qty.	LED Type	CCT/CRI	Voltage	Optics	Options
VL-COR		40		LEDR				
Series	Material	Size	Light Source		Voltage	Optics		Options
			Row Qty.	LED Type	CCT/CRI			
VL-COR	1 White CRS Hsg. & White CRS Door	40 4'Housing	1	LEDR	83 CRI:	120V	P12ACR 0.135" P12 Prismatic Impact Resistant Acrylic (Inverted)	SW Wet Location Hub Supplied (not installed)
			2		830 3000K	227V	LEX 0.125" P12 Prismatic Polycarbonate (Inverted)	PxL Programmed to User Specified Lumen Value.
	2 White CRS Hsg. & Polished 304 SS Door				835 3500K	UNV	A19 0.156" A19 Prismatic Impact Resistant Acrylic (Inverted)	PxW Programmed to User Specified Wattage Value.
					840 4000K	347V*	TG 0.156" Prismatic Tempered Glass (Inverted)	10KV 10KV Parallel Surge Protection (One Supplied Per Circuit)
	3 Polished SS Hsg. & Polished 304 SS Door				850 5000K		HIA 0.140" P12 Prismatic High Impact Resistant Acrylic (Inverted)	GTD Generator Transfer Device
							FROST 0.125" Flat Diffusing Frost Acrylic	WHIP Must Specify Length and Wire Qty
	4 White AL Hsg. & Polished 304 SS Door					90+ CRI:	2DBW 0.125" Flat Diffused Acrylic with Bi-Directional Batwing Distribution	OCMw Internal microwave OCC Sensor
						935 3500K	LBW 0.125" Flat Diffused Acrylic with Linear Batwing Distribution	FC Fuse & Holder (One Supplied Per Circuit)
						940 4000K	GH85 0.125" Flat Diffused Acrylic with Glare Suppression Distribution	EM10 10W Integral LED EM (Specify Input Voltage)
						950 5000K		EM20 20W Remote LED EM (Specify Input Voltage)
								EDL -40F Electronic Driver
								WHT White Finished Door & HSG
						AMW Anti-Microbial White Powdercoat		
						2/ED Two Drivers/Two Circuits		
						TP: Torx Head SS Tamperproof Fasteners		
						AH: Allen Head SS Tamperproof Fasteners		

NOTE: LEX option is standard and will be provided when no other option is selected

Note*: Specify Value In Ordering Notes Below

Ordering Notes, If Applicable

Vandal Resistant Corner Mount: VL-COR-LED

Vandal Resistant High Abuse Linear Corner Mount High Efficiency LED Wet Location Luminaires

SPECIFICATIONS

HOUSING: One piece, hole free, robotically seam welded housing has flattened knockouts for a superior seal. Available in .040" 3003 Aluminum, 20Ga 304 Stainless Steel, or 20Ga 1008 Cold Rolled Steel.

DOOR FRAME: One-piece overlapping 18 gauge CRS or 20 gauge type 304 stainless steel door frame with 90° bevelled edges. Door frame suspended from housing by two 8" stainless steel aircraft cables. Doorframe gasketed to housing and secured with 12 captive flush mounted stainless steel Tamper resistant Torx fasteners.

GASKETS: NSF Listed closed cell microcellular extruded KleanLock SealPro gasket with vulcanized corners making a one-piece oil and solvent resistant gasket system.

OPTICS: Standard P12 prismatic polycarbonate lens is provided when no other options are selected. All prismatic lensing options come with an inverted lens so the smooth side faces the room for easy cleaning. Other optics are available, consult factory for more information or options not listed.

LEDS: Commercially available in a wide variety of Color Temperature (CCT), FLUX, and CRI. Highly efficient and consistent color maintained to 3 SDMC for color critical applications. B50/L70 and compliant with Zhaga recognized hole patterns. Consult factory for LED options or configurations not listed below.

DRIVERS: Standard Universal Voltage Class 2 drivers are 0-10v Dimmable to 1% for most LED configurations. They come with at least 2.5Kv surge protection, have less than 10% THD at max load, Ballast Factor Greater than .95 and are programmable to match specific lumen or wattage requirements. Drivers with higher input voltage ratings are available, consult factory for driver specifications.

REFLECTOR: Die formed metal with high reflectance white polyester powder coat finish. Typical reflectivity 92%.

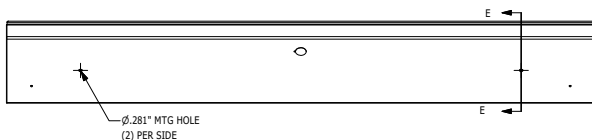
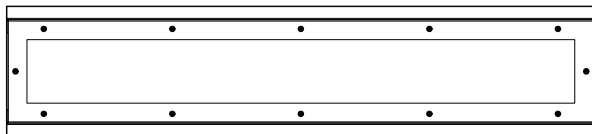
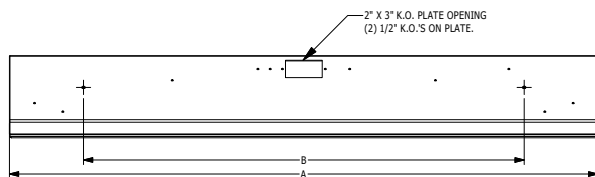
INSTALLATION: Four .312" holes for surface mounting. Provided with 1/2" knockouts on ends, suitable for through wiring. Suitable for surface installation onto covered ceilings.

FINISH: Stainless steel door frames & housing are satin polished unless WHT or AMW options are selected. All other materials are provided with gloss high reflectance white polyester powder coat with 1000hr salt spray test per ASTM B117. AMW option provides a white anti-microbial polyester powder coat to all exposed surfaces.

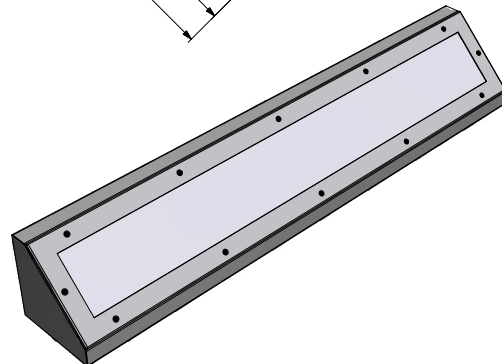
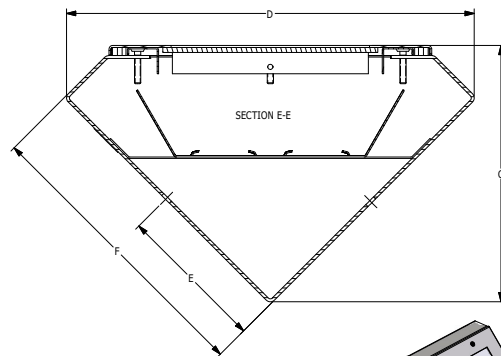
LISTINGS: IP66 rated for dust and water ingress. Suitable for 1700 PSI high pressure hosedowns. ETL listed per UL_1598 for wet locations. Drivers and LEDs are covered by a 5 year warranty, the remaining fixture is covered by a 10 year warranty. This product is Buy American Act (B.A.A.) compliant.

PRODUCT DRAWINGS

CORNER OVERLAP REFERENCE DIMENSIONS						
SIZE	DIM A	DIM B	DIM C	DIM D	DIM E	DIM F
40	48.10"	36.00"	6.77"	10.75"	3.75"	7.63"



06-BA-L-40 COR OVERLAP DWG DATE: 03/30/2017



Vandal Resistant **Corner Mount: VL-COR-LED**

Vandal Resistant High Abuse Linear Corner Mount High Efficiency LED Wet Location Luminaires

ENERGY DATA

OVERLAP DOOR CORNER MOUNT SURFACE FIXTURE WITH POLY LENS										
ENCLOSURE SIZE	LED SELECTION	STANDARD DIMMING	83 CRI (3000K - 5000K)				90+ CRI (3500K - 4000K)			
			LUMENS ¹	WATTS ²	EFFICACY ³	MAX AMB TEMP ⁴	LUMENS ¹	WATTS ²	EFFICACY ³	MAX AMB TEMP ⁴
40	1LEDR	0-10V 1%	2,400	28	86	40°C	1,990	30	66	40°C
40	2LEDR	0-10V 1%	4,700	56	84	40°C	3,860	58	67	40°C
40	EM10 ⁵	NA	840-860	4	NA	35°C	660-670	4	NA	35°C

¹ DELIVERED LUMEN DATA IS EXTRAPOLATED FROM MEASURED DATA @25C WITH NO EXTRA OPTIONS. VARIANCES WILL OCCUR WHEN OTHER SELECTIONS ARE MADE

² WATTAGE IS MEASURED WITH 4000K SELECTION @ 120vAC AND Tambient = 25C. WATTAGES MAY VARY WITH ALTERNATE CONFIGURATIONS

³ EFFICACY CALCULATED USING 4000K CCT DATA.

⁴ MAX AMBIENT TEMP RATING. TEMP RATING MAY VARY WITH ALTERNATE SPECIFIED DRIVERS OR ANY NON STANDARD SELECTION

⁵ 90 MINUTE 10W EMERGENCY DRIVER; LUMENS CALCULATED BASED ON FIXTURE EFFICACY.

PHOTOMETRICS

LEX OPTICS

Key:

- 0
- - - 45
- 90

