

Vandal Corner Mount

Vandal Resistant High Abuse Linear Corner Mount Fluorescent Wet Location Luminaires

- **For Public Spaces**
- **IP66 Rated**
- **Stainless Steel Torx head with center pin reject fasteners provided standard.**
- **125" Prismatic Polycarbonate Lensing Standard.**
- **Seam Welded Enclosure**



DISCLAIMER: Although KURTZON has prepared the information contained in this document with all due care, KURTZON does not warrant or represent that the information is free from errors or omission. While the information is considered to be true and correct at the date of publication, changes in circumstances after the time of publication may impact on the accuracy of the information. The information may change without notice and KURTZON is not in any way liable for the accuracy of any information printed and stored or in any way interpreted or used.

ORDERING GUIDE

Series Lens Type Material Size Lamps Voltage Options

VL

Series	Installation Type	Material	Size	Lamps	Voltage	Options
VL	COR: Surface Corner	1: White CRS Hsg. & White CRS Door 2: White CRS Hsg. & Polished 304 SS Door 3: Polished 304 SS Hsg. & Polished 304 SS Door 4: White AL Hsg. & Polished 304 SS Door	40: 4' Housing	1,2, or 3/T8: F32T8 1,2, or 3/T5: F28T5 1, or 2/T5HO: F54FTHO	120V 277V UNV 347V*	FC: Fuse & Holder (One Supplied Per Circuit) 2/EB: Two Ballasts (Two Circuits) EBL: -20F Electronic Ballast EBPRS: Program Rapid Start Ballast WHT: White Finished Door & HSG A19: .156" Prismatic P19 Pattern Clear Acrylic HIA: .140" High Impact P12 Pattern Clear Acrylic TG: .156" Prismatic C73 Tempered Glass SW: Wet Locatoin Hub Supplied (not installed) 1/EM: 1 Lamp EM (See Chart For Lamp Compatibility) 2/EM: 2 Lamp EM (See Chart For Lamp Compatibility) 10KV: 10KV Parallel Surge Protection (One Supplied Per Circuit) GTD: Generator Transfer Device OCCMW: Microwave Occupancy Sensor (Inside Luminaire) WHIP: Must Specify Length and Wire Qty AH: Allen Head SS Tamperproof Fasteners

Vandal Corner Mount

Vandal Resistant High Abuse Linear Corner Mount Fluorescent Wet Location Luminaires

SPECIFICATIONS

HOUSING: One piece, hole free, robotically seam welded housing has flattened knockouts for a superior seal. Available in .040" 3003 Aluminum, 20Ga 304 Stainless Steel, or 20Ga 1008 Cold Rolled Steel.

DOOR FRAME: One-piece overlapping 18 gauge CRS or 20 gauge type 304 stainless steel door frame with 90° bevelled edges. Door frame suspended from housing by two 8" stainless steel aircraft cables. Doorframe secured with 12 captive flush mounted stainless steel Tamper resistant Torx fasteners.

GASKETS: NSF Listed closed cell microcellular extruded KleanLock SealPro gasket with vulcanized corners making a one-piece oil and solvent resistant gasket system.

LENS: High durability minimum .125" thick polycarbonate with P12 prismatic pattern inverted. Factory sealed to door with silicone.

LAMPS: Suitable for most T8, T5, and T5HO lamps. (By others)

ELECTRICAL: Standard Class P Ballast - Electronic < 10% THD, high performance instant start universal voltage (120-277). See options for Rapid Start, Dimming, or Cold Temp Ballasts, Others available (must specify). Dual level switching available with 2/EB option

REFLECTOR: Die formed metal with high reflectance white polyester powder coat finish. Typical reflectivity 92%.

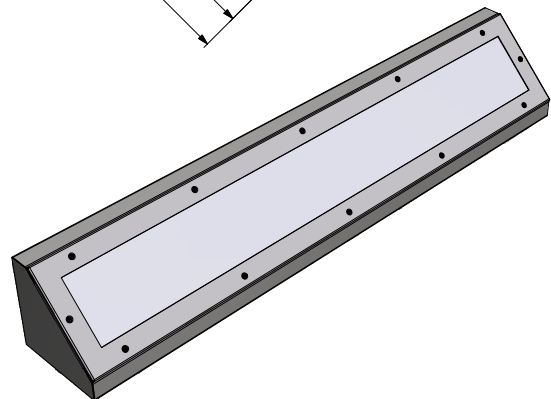
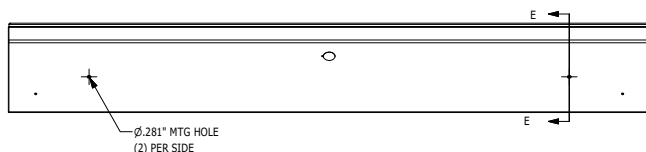
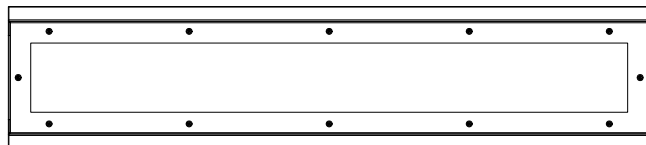
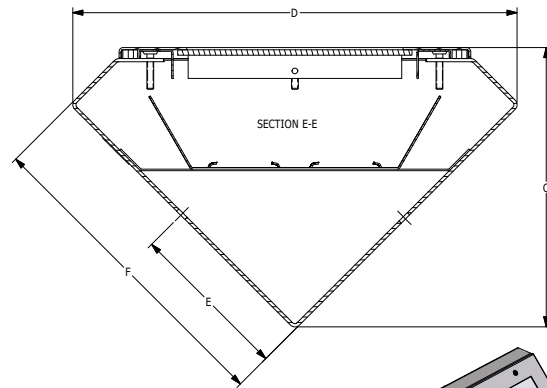
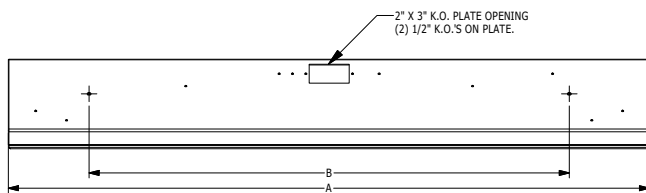
INSTALL SURFACE: Four .312" holes for surface mounting. Provided with 1/2" knockouts on ends, suitable for through wiring.

FINISH: Stainless Steel Housings and Doors are Satin Polished unless option WHT is chosen. All other housings and doors are finished with a 1000hr salt spray Gloss White Polyester power coat.

LISTINGS: IP66 rated for dust and water ingress. Suitable for 1700 PSI high pressure hosesdowns. UL listed per UL_1598 for wet locations. Electrical components covered under manufacturers warranty, the remaining fixture is covered by a 10 year warranty.

PRODUCT DRAWINGS

CORNER OVERLAP REFERENCE DIMENSIONS						
SIZE	DIM A	DIM B	DIM C	DIM D	DIM E	DIM F
40	48.10"	36.00"	6.77"	10.75"	3.75"	7.63"



06-BA-L-40 COR OVERLAP DWG DATE: 03/30/2017

Vandal Corner Mount

Vandal Resistant High Abuse Linear Corner Mount Fluorescent Wet Location Luminaires

ENERGY DATA

OVERLAP DOOR CORNER MOUNT FLUORESCENT						
ENCLOSURE SIZE	LAMP TYPE	LAMP QTY ¹	(EBPRS) RAPID START	(2/EM) 2 LAMP EMERGENCY ²	(1/EM) 1 LAMP EMERGENCY ²	MAX AMBIENT TEMP ³
40	F32WT8	1,2, OR 3	OPTIONAL	1460 Lm	700 Lm	40°C
40	F28WT5	1,2, OR 3	STANDARD	NA	1050 Lm	40°C
40	F54WT5HO	1 OR 2	STANDARD	NA	1150 Lm	40°C

¹ LAMPS SUPPLIED BY OTHERS

² TOTAL GENERATED LUMENS (FROM STANDARD EMERGENCY BALLAST SPECIFICATION SHEET)

³ TEMP RATING MAY VARY WITH ALTERNATE SPECIFIED BALLASTS OR ANY NON STANDARD SELECTION