

# Round Domes

Three-Function Recessed Round Dome for Patient Rooms

- **Shallow 3" Housing Depth & 2' diameter**
- **Exam/Ambient/Night Light three-function available**
- **Available in Tunable White (2700K-6500K)**
- **Optional RF Filtered Circuits**
- **Anti-Microbial Finish Available**
- **Multiple Lensing Options**
- **Gasketed Door Frame Seals Luminaire To Ceiling**
- **Made in USA by a Family Owned US Corporation**



DISCLAIMER: Although KURTZON has prepared the information contained in this document with all due care, KURTZON does not warrant or represent that the information is free from errors or omission. Whilst the information is considered to be true and correct at the date of publication, changes in circumstances after the time of publication may impact on the accuracy of the information. The information may change without notice and KURTZON is not in any way liable for the accuracy of any information printed and stored or in any way interpreted or used.

## ORDERING GUIDE

Series	Installation	Material	Source	CR/CCT	Voltage	Lensing	Controls	Options
<b>RDLP-20</b>								
<b>1 - SERIES</b>	<b>2 - INSTALLATION</b>		<b>4 - SOURCE</b>		<b>6 - VOLTAGE</b>		<b>8 - CONTROLS</b>	
<b>RDLP-20</b>	F/G: Recessed Flange or Grid		<b>LEDTW</b> Tunable White Light Source	<b>120</b> 120VAC	<b>7 - LENSING</b>		<b>BLANK:</b> 0-10v 1 %Dimming <b>DALI:</b> DALI 1% Dimming <b>LUTRON:</b> (Specify Type) <b>LVC:</b> Low Voltage Controller	
	<b>3 - MATERIAL</b>		<b>LED</b> Static WhiteLight Source	<b>277</b> 277VAC				
	1 White CRS Hsg. & White AL Door		<b>LED2C</b> 2 Circuit Static WhiteLight Source (Exam/Ambient Mode)	<b>UNV</b> (120-277 Vac)			<b>EM10:</b> 10W Integral LED EM (Specify Input Voltage) <b>EM20:</b> 20W External LED EM (Specify Input Voltage) <b>PxL:</b> Programmed to User Specified Lumen Value. <b>PxW:</b> Programmed to User Specified Wattage Value. <b>GTD:</b> Generator Transfer Device <b>TP:</b> Tamper Proof Fasteners <b>10KV:</b> 10KV Parallel Surge Protection (One Supplied Per Circuit) <b>NL_AMB:</b> 500Lm Dimmable Amber Night Light Circuit <b>NL_WHT:</b> 500Lm Dimmable White Night Light Circuit <b>AMW:</b> Anti-Microbial Powdercoat Finish (On Door Frame) <b>RF1:</b> RF Filter provided for 1 circuit <b>RF2:</b> RF Filters provided for 2 circuits <b>RFN:</b> RF Filters provided for Night Light Circuit	
			<b>5 - CRI/CCT</b>	<b>HV</b> (347-480 Vac)				
			<b>83 CRI</b>					
			<b>835</b> 83 CRI; 3500K CCT	<b>FL</b> .125" Frost Acrylic Lens				
			<b>840</b> 83 CRI; 4000K CCT	<b>CV</b> Convex Lens				
			<b>850</b> 83 CRI; 5000K CCT	<b>LEX</b> .125" Frost Poly Lens				
			<b>90+ CRI</b>	<b>CL</b> Custom Lensing (consult factory)				
			<b>935</b> 90+ CRI; 3500K CCT					
			<b>940</b> 90+ CRI; 4000K CCT					
			<b>950</b> 90+ CRI; 5000K CCT					
			<b>TUNABLE WHITE (TW)</b>					
			<b>827/865</b> 80 CRI; 2700K - 6500K CCT					

# Round Domes

Three-Function Recessed Round Dome for Patient Rooms

## SPECIFICATIONS

**HOUSING:** Lapped and spot welded 20 ga. CRS construction. Designed for installation Plaster or Drywall ceilings before ceiling closure and in T-bar grid systems. Note: Due to the nature of a circular aperture and the square housing, this fixture must be installed before ceiling closure. Consult factory for other sizes.

**DOOR FRAME:** One piece .125" thick Aluminum rigid extruded ring supports the lens. Concealed torsion springs securely support the frame and provide for tool-less entry. TP Option provides a tamperproof fasteners instead of torsion spring

**GASKETS:** Lens is silicone sealed in place and mechanically secured to door frame. Door frame provided with Neoprene gasket on flange (suitable for wet locations)

**LENS:** Opaque Formed Lens can be Concave or Convex, also available in Flat Frosted Polycarbonate or Acrylic. Consult factory for custom lens options.

**LEDS:** Commercially available high efficiency white LEDS installed. LEDs are available in many color temperatures with min 83CRI. LEDTW selection provides 80CRI LED modules that are adjustable between 2700K-6500K CCT. Consult factory for wiring and control compatibility. NL Option Provides a low lumen dimmable Amber light source.

**ELECTRICAL:** Standard Universal Voltage Class 2 Drivers are 0-10v dimmable to 1% and come standard with min 2.5Kv Surge protection. Optional night light (NL) is supplied with its own dedicated dimming circuit. See options for available 10W Emergency Batteries, additional surge protection or RF Filtering. Consult Factory for tunable white controls and options not listed.

**INSTALLATION:** Four .375" dia. holes provided for fixture support at each corner. Four wire attachment points are provided for supplemental seismic support. T-bar grid support brackets for proper fit within standard 1 inch T-bar grid systems.

**FINISH:** Gloss white high reflectance 1000 hr. salt spray polyester powder coat finish standard for all housings and doorframes. See option for anti-microbial finish on doorframe.

**LISTINGS:** UL listed per UL\_1598 for wet locations. Drivers and LEDs are covered by a 5 year warranty, the remaining fixture is covered by a 10 year warranty.

## ENERGY DATA

RD20-FG-LED						
SOURCE SELECTION	DELIVERED LUMENS <sup>1</sup>	WATTAGE <sup>2</sup>	EFFICACY <sup>3</sup> (LUMENS/WATTS)	EM10 LUMEN OUTPUT <sup>5</sup>	DIMMING AVAILABILITY	MAX AMBIENT TEMP <sup>4</sup> (°C)
LED	3,500	64	55	550	0-10V 1%	40°C (104°F)
LED2C (EXAM)	3,500	64	55	550	0-10V 1%	40°C (104°F)
LED2C (AMBIENT)	<b>PENDING</b>	<b>PENDING</b>	<b>PENDING</b>	<b>NA</b>	0-10V 1%	40°C (104°F)
LEDTW	<b>PENDING</b>	<b>PENDING</b>	<b>PENDING</b>	<b>NA</b>	0-10V 1%	40°C (104°F)
NL	<b>PENDING</b>	<b>PENDING</b>	<b>PENDING</b>	<b>NA</b>	0-10V 1%	40°C (104°F)

<sup>1</sup> DELIVERED LUMEN DATA IS EXTRAPOLATED FROM MEASURED DATA @25C WITH NO EXTRA OPTIONS. VARIANCES WILL OCCUR WHEN OTHER SELECTIONS ARE MADE

<sup>2</sup> WATTAGE IS MEASURED WITH LED 840 SELECTION @ 120vAC AND Tambient = 25C. WATTAGES WILL VARY AND INCREASE WHEN ALTERNATE OPTOINS ARE SELECTED

<sup>3</sup> EFFICACY CALCULATED USING 80 CRI 4000K CCT DATA.

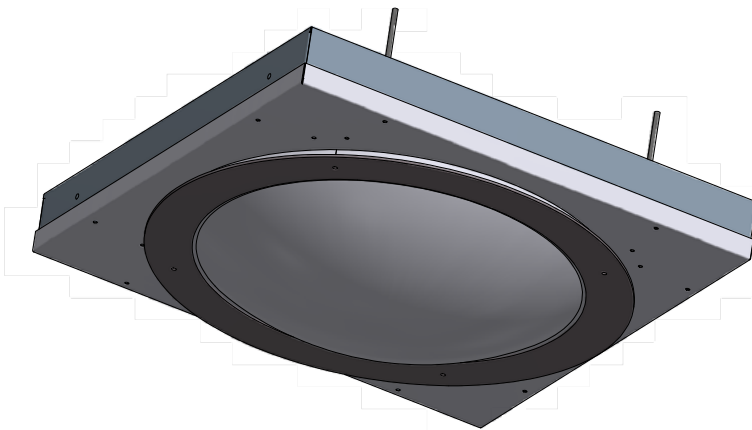
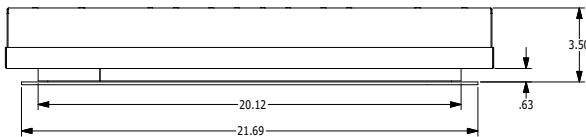
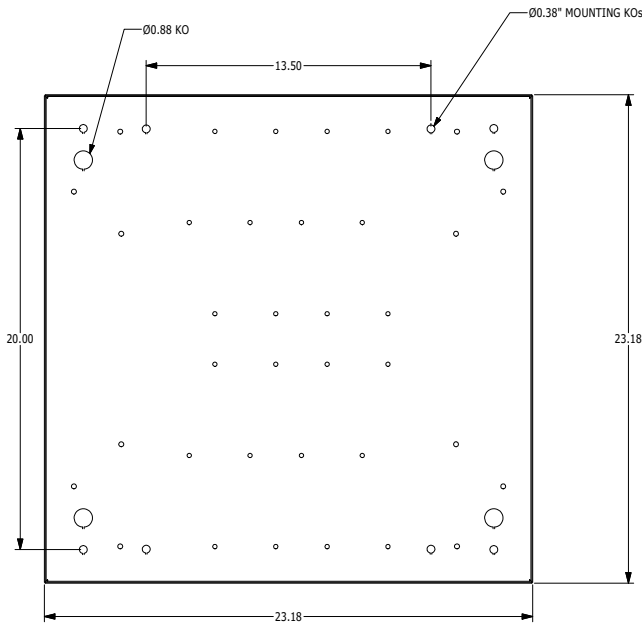
<sup>4</sup> MAX AMBIENT TEMP RATING, NON-IC INSTALLATON. TEMP RATING IS WITH NO OTHER OPTOINS SELECTED.

<sup>5</sup> INITIAL LUMEN VALUE IN EMERGENCY MODE CALCULATED WITH LEAST EFFICIENT CONFIGURATION BY (10W)\*(NORMAL LUMENS / NORMAL WATTS)

# Round Domes

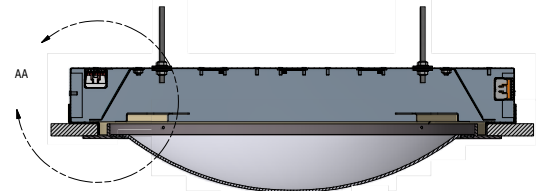
Three-Function Recessed Round Dome for Patient Rooms

## PRODUCT DRAWINGS

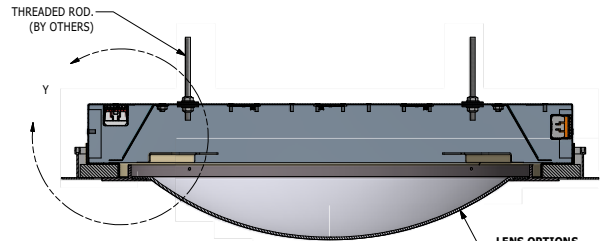


**NOTE TO INSTALLER:**

SINCE THE FIXTURE BODY IS LARGER THAN THE APERTURE AND DOOR FRAME, THE FIXTURE MUST BE INSTALLED PRIOR TO HANGING THE GRID OR INSTALLING THE DRYWALL CEILING.



**DRYWALL SECTION VIEW**



**GRID SECTION VIEW**

**LENS OPTIONS**  
CONVEX (PICTURE)  
FLAT