

Round Domes

Recessed Architectural Sealed Round Domes With LED Sources

- Available in 2',3' & 4' Diameters
- IP65 Rated
- Available with 2700K-6500K Tunable White
- Frosted Polycarbonate Lens available (Flat Lens only)
- Gasketed Door Frame Seals the Ceiling
- Made in the USA by a Family Owned US Corporation



DISCLAIMER: Although KURTZON has prepared the information contained in this document with all due care, KURTZON does not warrant or represent that the information is free from errors or omission. Whilst the information is considered to be true and correct at the date of publication, changes in circumstances after the time of publication may impact on the accuracy of the information. The information may change without notice and KURTZON is not in any way liable for the accuracy of any information printed and stored or in any way interpreted or used.

ORDERING GUIDE

Series	Installation	Material	Size	Source	CCT	Voltage	Lens Type	Options
RD								
RD	F/G: Flange & Grid	1: White CRS Hsg. & White AL Door	20: 2' Housing 30: 3' Housing 40: 4' Housing	LEDR LEDTW	LEDR 83 CRI: 835 = 3500K CCT 840 = 4000K CCT 850 = 5000K CCT LEDR 90+ CRI: 935 = 3500K CCT 940 = 4000K CCT LEDTW 80CRI 827/865 = 27K-65K CCT	120V 277V UNV 347V*	CV: Convex Lens FL: Flat Lens CC: Concave Lens LEX: Frost Flat Polycarb CL: Custom Lens (consult factory)	FC: Fuse & Holder (One Supplied Per Circuit) 2/ED: Two Drivers (Two Circuits) EM10: 10W Integral LED EM (Specify Input Voltage) EM20: 20W External LED EM (Specify Input Voltage) PxL: Programmed to User Specified Lumen Value. PxW: Programmed to User Specified Wattage Value. GTD: Generator Transfer Device 10KV: 10KV Parallel Surge Protection (One Supplied Per Circuit) DALI: 1% DALI DIMMING DRIVERS (NA FOR TW) AMW: Anti-Microbial Powdercoat Finish (Door Frame Only) RF1: RF Filter provided for 1 circuit RFN: RF Filter provided for Night Light Circuit

Round Domes

Recessed Architectural Sealed Round Domes With LED Sources

SPECIFICATIONS

HOUSING: Lapped and spot welded 20 ga. CRS construction. Designed for installation Plaster or Drywall ceilings before ceiling closure and in T-bar grid systems. Note: Due to the nature of a circular aperture and the square housing, this fixture must be installed before ceiling closure. Consult factory for other sizes.

DOOR FRAME: One piece .125" thick Aluminum rigid extruded ring supports the lens. Concealed torsion springs securely support the frame and provide for tool-less entry.

GASKETS: Lens is silicone sealed in place and mechanically secured to door frame. Door frame provided with Neoprene gasket on flange (suitable for wet locations)

LENS: Opaque Formed Lens can be Concave or Convex, also available in Flat Frosted Polycarbonate or Acrylic. Consult factory for custom lens options.

LEDS: Commercially available high efficiency white LEDS installed. LEDs are available in many color temperatures with min 83CRI. LEDTW selection provides 80CRI LED modules that are adjustable between 2700K-6500K CCT. Consult factory for wiring and control compatibility.

ELECTRICAL: Standard Universal Voltage Class 2 Drivers are 0-10v dimmable to 1% and come standard with min 2.5Kv Surge protection. Optional night light (NL) is supplied with its own dedicated dimming circuit. See options for available 10W Emergency Batteries, additional surge protection or RF Filtering. Consult Factory for tunable white controls and options not listed.

INSTALLATION: Four .375" dia. holes provided for fixture support at each corner. Four wire attachment points are provided for supplemental seismic support. T-bar grid support brackets for proper fit within standard 1 inch T-bar grid systems.

FINISH: Gloss white high reflectance 1000 hr. salt spray polyester powder coat finish standard for all housings and doorframes. See option for anti-microbial finish on doorframe.

LISTINGS: IP65 Rated for dust and water ingress. UL listed per UL_1598 for wet locations. Drivers and LEDs are covered by a 5 year warranty, the remaining fixture is covered by a 10 year warranty.

ENERGY DATA

ROUND DOMES-FG-LED							
ENCLOSURE SIZE	SOURCE SELECTION	LUMEN OUTPUT ¹	WATTAGE ²	EFFICACY ³ (LUMENS/WATTS)	EM10 LUMEN OUTPUT ⁵	DIMMING AVAILABILITY	MAX AMBIENT TEMP ⁴ (°C)
RD20	LEDR	3500	64	55	550	0-10V 1%	40°C (104°F)
RD20	LEDTW	PENDING	PENDING	PENDING	NA	0-10V 1%	40°C (104°F)
RD30	LEDR	7000	132	53	530	0-10V 1%	40°C (104°F)
RD30	LEDTW	PENDING	PENDING	PENDING	NA	0-10V 1%	40°C (104°F)
RD40	LEDR	10000	198	51	510	0-10V 1%	40°C (104°F)
RD40	LEDTW	PENDING	PENDING	PENDING	NA	0-10V 1%	40°C (104°F)
ALL	Night Light (NL)	PENDING	PENDING	PENDING	NA	0-10V 1%	40°C (104°F)

¹ DELIVERED LUMEN DATA IS EXTRAPOLATED FROM MEASURED DATA @25C WITH NO EXTRA OPTIONS. VARIANCES WILL OCCUR WHEN OTHER SELECTIONS ARE MADE

² WATTAGE IS MEASURED WITH LED 840 SELECTION @ 120vAC AND Tambient = 25C. WATTAGES WILL VARY AND INCREASE WHEN ALTERNATE OPTOINS ARE SELECTED

³ EFFICACY CALCULATED USING 80 CRI 4000K CCT DATA.

⁴ MAX AMBIENT TEMP RATING, NON-IC INSTALLATON. TEMP RATING IS WITH NO OTHER OPTOINS SELECTED.

⁵ INITIAL LUMEN VALUE IN EMERGENCY MODE CALCULATED WITH LEAST EFFICIENT CONFIGURATION BY (10W)*(NORMAL LUMENS / NORMAL WATTS)

Round Domes

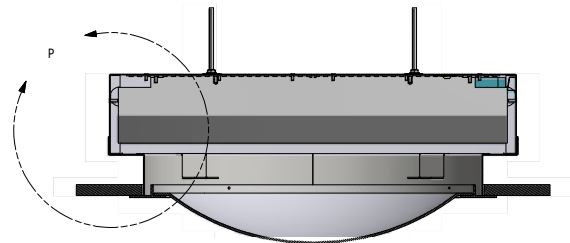
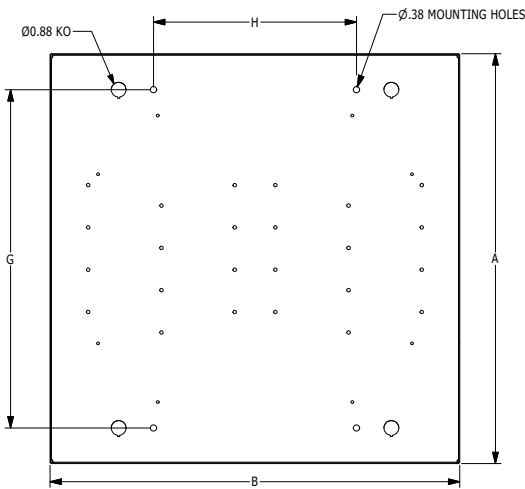
Recessed Architectural Sealed Round Domes With LED Sources

PRODUCT DRAWINGS

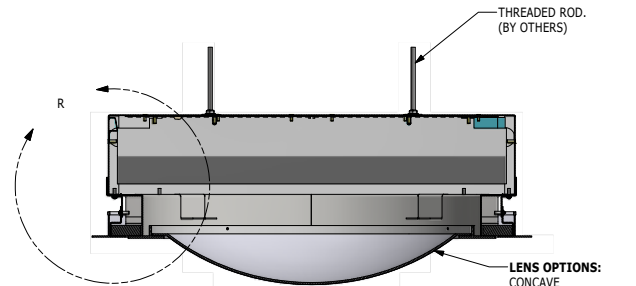
ROUND DOME REFERENCE DIMENSIONS								
SIZE	DIM A	DIM B	DIM C	DIM D	DIM E	DIM F	DIM G	DIM H
20	23.25	23.25	7.30	2.40	20.13	21.68	20.00	12.00
30	42.00	42.00	7.30	2.40	36.63	38.50	30.00	39.00
40	48.25	48.25	7.30	2.40	42.75	44.38	45.38	36.00

NOTE TO INSTALLER:

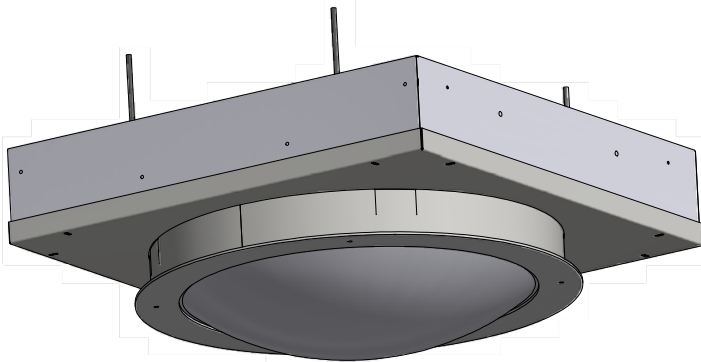
SINCE THE FIXTURE BODY IS LARGER THAN THE APERTURE AND DOOR FRAME, THE FIXTURE MUST BE INSTALLED PRIOR TO HANGING THE GRID OR INSTALLING THE DRYWALL CEILING.



DRYWALL SECTION VIEW



GRID SECTION VIEW



15-AB-L-STD DOMES DWG DATE: 8/27/2018