

# Vandal Downlight: VL-PBD-LED-5DQS

Vandal Resistant Recessed 6" Aperture LED Downlight



- **IP65 Rated**
- **Polycarbonate Lens Standard**
- **Trim Sealed to Housing with Three (3) Flush Head Tamper Resistant Screws**
- **Up to 3400 Lumens Delivered**
- **B.A.A. Compliant & Made in the USA by a Family Owned US Corporation**
- **5 Day Quick Ship For Orders Under 25 Fixtures**



DISCLAIMER: Although KURTZON has prepared the information contained in this document with all due care, KURTZON does not warrant or represent that the information is free from errors or omission. Whilst the information is considered to be true and correct at the date of publication, changes in circumstances after the time of publication may impact on the accuracy of the information. The information may change without notice and KURTZON is not in any way liable for the accuracy of any information printed and stored or in any way interpreted or used.

## ORDERING GUIDE

Series	Material	Size	LED Type	CCT/CRI	Voltage	Baffle	Door (Trim)	Optics	Options
<b>VL-PBD</b>	<b>4</b>	<b>8</b>		<b>840</b>	<b>UNV</b>			<b>LEX</b>	
Series	Material	Size	Light Source			Baffle	Door (Trim) Finish	Optics	Options
			LED Type	CCT/CRI	Voltage				
<b>VL-PBD</b>	<b>4 Non-Magnetic</b>	<b>8 8" Housing</b>	<b>DLM15 1500Lm Package</b>	<b>83 CRI:</b>	<b>UNV: 120V-277V</b>	<b>WB White Grooved Baffle</b>	<b>WT White Painted Trim</b>	<b>LEX 0.125" Clear Flat Polycarbonate Lens</b>	<b>10KV 10KV Parallel Surge Protection</b>
			<b>DLM20 2000Lm Package</b>	<b>840 4000K</b>		<b>SR Specular Reflector</b>	<b>ST Polished Stainless Trim</b>		<b>EM7 Mount 7W Battery Pack (Specify Input Voltage)</b>
			<b>DLM30 3000Lm Package</b>						<b>TPWHT White Painted Torx Tamper-proof Fasteners</b>
									<b>RFI Supplied with Radio Frequency Interference Filter</b>

Ordering Notes, If Applicable

# Vandal Downlight: VL-PBD-LED-5DQS

Vandal Resistant Recessed 6" Aperture LED Downlight

## SPECIFICATIONS

**HOUSING:** Stainless steel body and spun aluminum housing and plaster frame.

**DOOR FRAME:** .080" Aluminum or 16Ga stainless steel formed with continuous lens hold-down system. Secured to housing with flush head Torx tamperproof fasteners. TPWHT option provides a tamper proof painted white screw head.

**GASKETS:** One piece gasket located at interface of door to housing silicone seals the door to the lens.

**REFLECTOR:** Supplied with a wide variety of baffles and reflectors. See options for availability.

**OPTICS:** Clear non-prismatic nominal 1/8" thick polycarbonate lens is standard and will be provided when no options are selected. Other options include frosted or glare suppression film overlays. All lenses are mechanically secured and silicone sealed to door frame.

**LED:** LEDs are available in several lumen configurations as well as 80 & 90 CRI. Up to 3400 Lumens delivered and supplied with an integrated heatsink to maintain thermal efficiency and prolong the life of the light engine.

**ELECTRICAL:** Integrated constant current static low voltage DC commercially available driver designed specifically for LED array. Driver has 0-10V dimming control to 1%. See options for specified drivers, Lutron controls compatible driver, or other electrical component availability.

**INSTALLATION:** Four adjustable L-brackets allow for seismic support and secure attachment to metal T-Bars, joists or structural metal framing. Sealed 1/2 inch trade size knockouts for wiring. Suitable for 1, 1.5 and 2 inch T-bar widths as well as drywall or plaster ceilings. Suitable for NON-IC installation.

**FINISH:** Antimicrobial white polyester powder coat on doorframe surface. Stainless steel trims are satin polished.

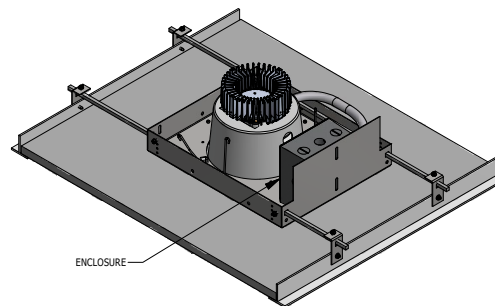
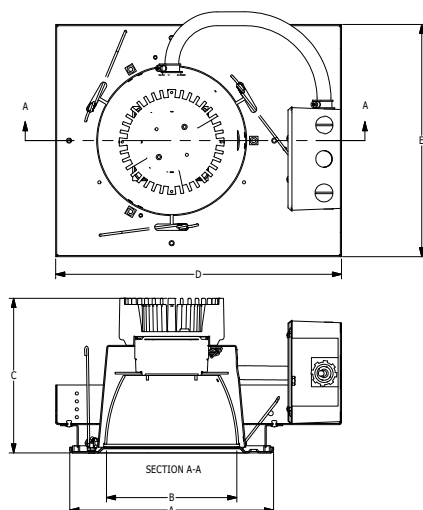
**LISTINGS:** ETL Listed for Wet Locations. Suitable for non-IC installation. IP-65 dust and water jet resistance. IBEW Union Label.

**5/10 YEAR WARRANTY:** The driver(s), LED's and EM packs are covered by a five (5) year warranty. The remaining fixture is covered by a ten (10) year warranty. See warranty statement at kurtzon.com for complete details. This product is Buy American Act (B.A.A.) compliant.

**5-DAY QUICK SHIP POLICY:** Quantity restriction of 25 fixtures. Once PO is received by 12:00 PM CST, shipping will occur within 5 business days. Standard freight applies. Expedited shipping to be paid by customer.

## PRODUCT DRAWINGS

DOWNLIGHT REFERENCE DIMENSIONS						
MODEL	DIM A	DIM B	DIM C	DIM D	DIM E	DIM F
SBD/IBD	9.00"	5.75"	6.85"	12.65"	10.25"	26.00"



12-AA-L-DOWNLIGHT DWG DATE: 4/11/2107

# Vandal Downlight: VL-PBD-LED-5DQS

Vandal Resistant Recessed 6" Aperture LED Downlight

## ENERGY DATA

SEALED LED DOWNLIGHT						
LIGHT PACKAGE	CRI	DELIVERED LUMENS (Lm) <sup>1</sup>	WATTAGE (W) <sup>2</sup>	EFFICACY (LM/W)	DIMMING AVAILABILITY	MAX AMBIENT TEMP (°C) <sup>3</sup>
DLM15	80+	1,536	18	85.3	0-10V 1%	40°C (104°F)
DLM20	80+	2,117	21	100.8	0-10V 1%	40°C (104°F)
DLM30	80+	3,454	42	82.2	0-10V 1%	40°C (104°F)
EM7	NA	440-570Lm	4	NA	0-10V 1%	35°C (95°F)

- 1: DELIVERED LUMEN DATA IS EXTRAPOLATED FROM MEASURED DATA @25C WITH NO EXTRA OPTIONS.
- 2: WATTAGE IS MEASURED @ 120vAC AND Tambient = 25C. WATTAGES MAY VARY AND WHEN OPTIONS ARE SELECTED
- 3: MAX TEMP RATING IS WITH NO OTHER OPTIONS SELECTED.(NON-IC)

## PHOTOMETRICS

### CLEAR FLAT LENS

- 0
- ..... 45
- 90

