

Medical MRI Downlight - 5-Day Quick Ship

Non-Magnetic Recessed Sealed 6" Aperture LED Downlight



- **IP65 Rated**
- **Non-Ferrous Construction for use in MRI Suites**
- **Available Entrance Filters for MRI Compatibility**
- **Each Fixture Supplied With Remote Mounted Driver**
- **Made in the USA by a Family Owned US Corporation**
- **5 Day Quick Ship For Orders Under 25 Fixtures**



DISCLAIMER: Although KURTZON has prepared the information contained in this document with all due care, KURTZON does not warrant or represent that the information is free from errors or omission. Whilst the information is considered to be true and correct at the date of publication, changes in circumstances after the time of publication may impact on the accuracy of the information. The information may change without notice and KURTZON is not in any way liable for the accuracy of any information printed and stored or in any way interpreted or used.

ORDERING GUIDE

Series	Installation	Material	Size	LED Selection	CRI/CCT Selection	Voltage	Baffle	Door (Trim)	Options	Quick Ship
ML	SBD	4	8		840	UNV				5DQS
SERIES	INSTALLATION	MATERIAL	SIZE	LED SELECTION	CRI/CCT SELECTION	VOLTAGE	BAFFLE	DOOR (TRIM) FINISH	OPTIONS	QUICK SHIP
ML	IBD: Recessed	4: Non-Magnetic	8: 8" Housing	DLM15: 1500Lm Package DLM20: 2000Lm Package DLM30: 3000Lm Package	80 CRI 840: 80 CRI 4000k	UNV: 120V-277V	WB: White Grooved Baffle SR: Specular Reflector	WT: White Painted Trim ST: Polished Stainless Trim	10KV: 10kv Surge Protection EM7: Remote Mount 7W Battery Pack (Specify Input Voltage) Required Accessories Ordered Separately: MRIF3: Three circuit filter for 3 fixtures MRIF6: Six circuit filter for 6 fixtures MRIF9: Nine circuit filter for 9 fixtures	5DQS: (5-Day Quick Ship)

Medical MRI Downlight - 5-Day Quick Ship

Non-Magnetic Recessed Sealed 6" Aperture LED Downlight

SPECIFICATIONS

HOUSING: Non-magnetic stainless steel body and spun aluminum housing and plaster frame. All hardware and components are not magnetic.

DOOR FRAME: Aluminum or stainless steel formed with continuous lens hold-down system and screwless entry. Cleanroom style construction with a smooth cleanable surface with no crevices.

GASKETS: Closed microcellular extruded gasket located at interface of door to housing. Silicone seals the lens to the door.

BAFFLE: Supplied with a wide variety of baffles and reflectors. See options for availability.

LENS: Clear non-prismatic .125" thick polycarbonate lens mechanically secured and silicone sealed to door frame. Optionally available with frosted polycarbonate lens.

LED: LEDs are available in several lumen configurations. Up to 3400 Lumens delivered and supplied with an integrated heatsink to maintain thermal efficiency and prolong the life of the light engine.

ELECTRICAL: Constant current static low voltage DC provide from included remote driver. Drivers are 0-10v dimming standard as 1% and are supplied with the fixtures in an remote enclosure. Entrance filters must be purchased separately.

INSTALLATION: Adjustable brackets allow for seismic support and secure attachment to metal T-Bars, joists or structural metal framing. Sealed 1/2 inch trade size knockouts for wiring. Suitable for 1, 1.5 and 2 inch T-bar widths as well as drywall or plaster ceiling.

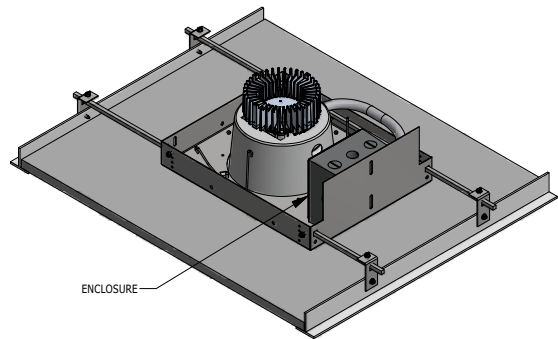
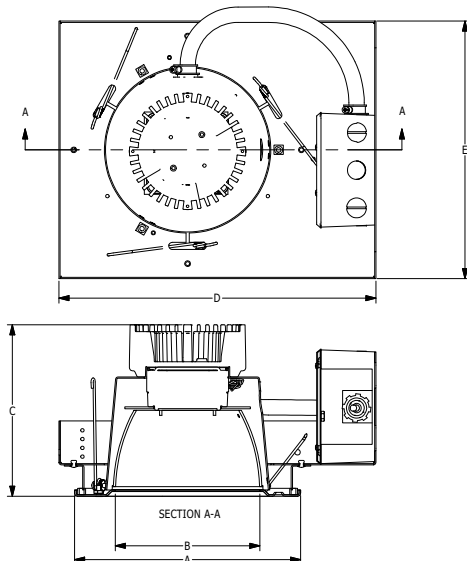
FINISH: Antimicrobial white polyester powder coat on doorframe surface. Stainless steel trims are satin polished.

LISTINGS: IP65 rated for dust and water ingress. ETL listed per UL_1598 for wet locations. Chicago Plenum Rated. Military Standard 461F compliant for conducted and radiated emissions. Non-Magnetic construction. Drivers and LEDs are covered by a 5 year warranty, the remaining fixture is covered by a 10 year warranty.

5-DAY QUICK SHIP POLICY: Quantity restriction of 25 fixtures. Once PO is received by 12:00 PM CST, shipping will occur within 5 business days. Standard freight applies. Expedited shipping to be paid by customer.

PRODUCT DRAWINGS

DOWNLIGHT REFERENCE DIMENSIONS						
MODEL	DIM A	DIM B	DIM C	DIM D	DIM E	DIM F
SBD/IBD	9.00"	5.75"	6.85"	12.65"	10.25"	26.00"



12-AA-L-DOWNLIGHT DWG DATE: 4/11/2107

Medical MRI Downlight - 5-Day Quick Ship

Non-Magnetic Recessed Sealed 6" Aperture LED Downlight

ENERGY DATA

SEALED LED DOWNLIGHT						
LIGHT PACKAGE	CRI	DELIVERED LUMENS (Lm) ¹	WATTAGE (W) ²	EFFICACY (LM/W)	DIMMING AVAILABILITY	MAX AMBIENT TEMP (°C) ³
DLM15	80+	1,449	23.1	62.7	0-10V 1%	40°C (104°F)
DLM20	80+	1,950	31.4	62.1	0-10V 1%	40°C (104°F)
DLM30	80+	3,442	42.3	81.4	0-10V 1%	40°C (104°F)
EM7	NA	440-570Lm	4	NA	0-10V 1%	35°C (95°F)

- 1: DELIVERED LUMEN DATA IS EXTRAPOLATED FROM MEASURED DATA @25C WITH NO EXTRA OPTIONS.
- 2: WATTAGE IS MEASURED @ 120vAC AND Tambient = 25C. WATTAGES MAY VARY AND WHEN OPTIONS ARE SELECTED
- 3: MAX TEMP RATING IS WITH NO OTHER OPTIONS SELECTED.(NON-IC)

PHOTOMETRICS

ML-IBD-DLM30-840-UNV-WBWT

Report No: 20167.0
 Total Lumens: 3,442
 Wattage: 42.3340
 Efficacy: 81.3 (Lumens Per Watt)
 Fixture Size: 6"
 Key:

----- 0
 - - - - - 45
 _____ 90

