

Cleanroom KL Series Downlight - 5-Day Quick Ship

Sealed 6" Aperture Recessed LED Downlight for Cleanroom Installations.



- **IP65 Rated**
- **ETL Listed for Wet Locations**
- **Suitable for ISO 5-9 Cleanspaces**
- **Suitable for 209E Class 100-100,000 Cleanspaces**
- **Up to 3,400 Lumens Delivered**
- **Made in the USA by a Family Owned US Corporation**
- **5 Day Quick Ship For Orders Under 25 Fixtures**



DISCLAIMER: Although KURTZON has prepared the information contained in this document with all due care, KURTZON does not warrant or represent that the information is free from errors or omission. Whilst the information is considered to be true and correct at the date of publication, changes in circumstances after the time of publication may impact on the accuracy of the information. The information may change without notice and KURTZON is not in any way liable for the accuracy of any information printed and stored or in any way interpreted or used.

ORDERING GUIDE

Series	Installation	Material	Size	LED Selection	CRI/CCT Selection	Voltage	Baffle	Door (Trim)	Options	Quick Ship
KL	SBD	4	8		840	UNV				5DQS
SERIES	INSTALLATION	MATERIAL	SIZE	LED SELECTION	CRI/CCT SELECTION	VOLTAGE	BAFFLE	DOOR (TRIM) FINISH	OPTIONS	QUICK SHIP
KL	SBD: Recessed	4: Non-Magnetic	8: 8" Housing	DLM15: 1500Lm Package DLM20: 2000Lm Package DLM30: 3000Lm Package <i>NOTE: Lumen packages are nominal, verify actual values on the energy data chart.</i>	80 CRI 840: 80 CRI 4000k	UNV: 120V-277V	WB: White Grooved Baffle SR: Specular Reflector	WT: White Painted Trim ST: Polished Stainless Trim	10KV: 10kv Surge Protection EM7: Remote Mount 7W Battery Pack (Specify Input Voltage)	5DQS: (5-Day Quick Ship)

Cleanroom KL Series Downlight - 5-Day Quick Ship

Sealed 6" Aperture Recessed LED Downlight for Cleanroom Installations.

SPECIFICATIONS

HOUSING: Stainless steel body and spun aluminum housing and plaster frame.

DOOR FRAME: Aluminum or stainless steel formed with continuous lens hold-down system and screwless entry. Cleanroom style construction with a smooth cleanable surface with no crevices.

GASKETS: One piece gasket located at interface of door to housing silicone seals the door to the lens.

REFLECTOR: Supplied with a wide variety of baffles and reflectors. See options for availability.

LENS: Clear non-prismatic .125" thick polycarbonate lens mechanically secured and silicone sealed to door frame. Optionally available with frosted polycarbonate lens.

LED: LEDs are available in several lumen configurations. Up to 3400 Lumens delivered and supplied with an integrated heatsink to maintain thermal efficiency and prolong the life of the light engine.

ELECTRICAL: Integrated constant current static low voltage DC commercially available driver designed specifically for LED array. Driver has 0-10V dimming control to 1%. See options for specified drivers, Lutron controls compatible driver, or other electrical component availability.

INSTALLATION: Four adjustable L-brackets allow for seismic support and secure attachment to metal T-Bars, joists or structural metal framing. Sealed 1/2 inch trade size knockouts for wiring. Suitable for 1, 1.5 and 2 inch T-bar widths as well as drywall or plaster ceilings. Suitable for NON-IC installation.

FINISH: Antimicrobial white polyester powder coat on doorframe surface. Stainless steel trims are satin polished.

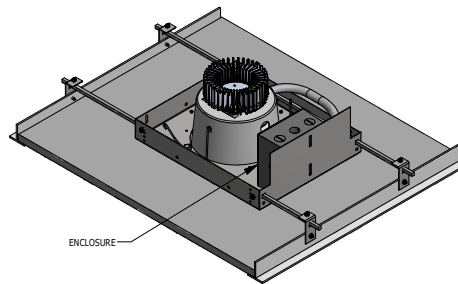
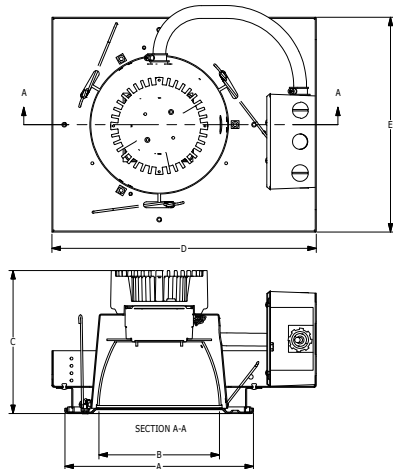
LISTINGS: ETL Listed for Wet Locations. Suitable for non-IC installation. IP-65 dust and water jet resistance. IBEW Union Label. Certified ISO-14644-1 classes 5 to 9 Fed. Std. 209E Class 100.

5/10 YEAR WARRANTY: The driver(s), LED's and EM packs are covered by a five (5) year warranty. The remaining fixture is covered by a ten (10) year warranty. See warranty statement at kurtzon.com for complete details

5-DAY QUICK SHIP POLICY: Quantity restriction of 25 fixtures. Once PO is received by 12:00 PM CST, shipping will occur within 5 business days. Standard freight applies. Expedited shipping to be paid by customer.

PRODUCT DRAWINGS

DOWNLIGHT REFERENCE DIMENSIONS						
MODEL	DIM A	DIM B	DIM C	DIM D	DIM E	DIM F
SBD/TBD	9.00"	5.75"	6.85"	12.65"	10.25"	26.00"



12-AA-L-DOWNLIGHT DWG DATE: 4/11/2107

Cleanroom KL Series Downlight - 5-Day Quick Ship

Sealed 6" Aperture Recessed LED Downlight for Cleanroom Installations.

ENERGY DATA

SEALED LED DOWNLIGHT						
LIGHT PACKAGE	CRI	DELIVERED LUMENS (Lm) ¹	WATTAGE (W) ²	EFFICACY (LM/W)	DIMMING AVAILABILITY	MAX AMBIENT TEMP (°C) ³
DLM15	80+	1,449	23.1	62.7	0-10V 1%	40°C (104°F)
DLM20	80+	1,950	31.4	62.1	0-10V 1%	40°C (104°F)
DLM30	80+	3,442	42.3	81.4	0-10V 1%	40°C (104°F)
EM7	NA	440-570Lm	4	NA	0-10V 1%	35°C (95°F)

- 1: DELIVERED LUMEN DATA IS EXTRAPOLATED FROM MEASURED DATA @25C WITH NO EXTRA OPTIONS.
- 2: WATTAGE IS MEASURED @ 120vAC AND Tambient = 25C. WATTAGES MAY VARY AND WHEN OPTIONS ARE SELECTED
- 3: MAX TEMP RATING IS WITH NO OTHER OPTIONS SELECTED.(NON-IC)

PHOTOMETRICS

KL-SBD-DLM30-840-UNV-WBWT

Report No: 20167.0
 Total Lumens: 3,442
 Wattage: 42.3340
 Efficacy: 81.3 (Lumens Per Watt)
 Fixture Size: 6"
 Key:

— 0
 - - - - 45
 — 90

