

Darkroom Safelights: DKS-S-1X1-LED-5DQS

Surface Mounted 1x1 Darkroom Safelights With Colored LED Light Sources



- **For Low Level Illumination**
- **Provided with narrow spectrum non-filtered LEDs**
- **Available in Red, Red/White, Amber, Amber/White, Green, Green/White colors.**
- **B.A.A. Compliant & Made in the USA by a Family Owned US Corporation**
- **Suitable for surface ceiling mounting**
- **5 Day Quick Ship For Orders Under 25 Fixtures**



White (80 CRI)



Amber (590nm)



Red (660nm)



Green (540nm)



DISCLAIMER: Although KURTZON has prepared the information contained in this document with all due care, KURTZON does not warrant or represent that the information is free from errors or omission. While the information is considered to be true and correct at the date of publication, changes in circumstances after the time of publication may impact on the accuracy of the information. The information may change without notice and KURTZON is not in any way liable for the accuracy of any information printed and stored or in any way interpreted or used.

ORDERING GUIDE

Series	Material	Size	Light Source	Voltage	Optics	Quick Ship
DKS-S	2	1x1		UNV		5DQS
DKS-S	2 White CRS Hsg. & Polished 304 SS Door	1x1 1' x 1' Housing	AMB 590nm AMB/WHT 590nm/80CRI 4000K CCT RED 660nm RED/WHT 660nm/80CRI 4000K CCT GRN 540nm GRN/WHT 540nm/80CRI 4000K CCT (Select only one light source)	UNV	FROST* 0.125" Flat Diffusing Frost Acrylic LEX .125" Prismatic Polycarbonate *Note: FROST option is standard and will be provided when no other option is selected	5DQS (5-Day Quick Ship)

Ordering Notes, If Applicable

Darkroom Safelights: DKS-S-1X1-LED-5DQS

Surface Mounted 1x1 Darkroom Safelights With Colored LED Light Sources

SPECIFICATIONS

HOUSING: Lapped and spot welded 20-gauge CRS construction.

DOOR FRAME: 20Ga gauge 4B satin polished stainless steel door frame. Door frame neoprene gasketed to housing and secured with flush mounted captive stainless steel fasteners. Hinged to housing with stainless steel cables.

REFLECTOR: Die formed metal with high reflectance white polyester powder coat finish. Typical reflectivity 92%.

OPTICS: 0.125" frost acrylic lens standard when no options are selected. All prismatic lensing is inverted so smooth side faces out.

LED: Provided with Narrow Spectrum non-filtered dimmable LED light sources. Available in DEEP RED (660nm), TRUE AMBER (590nm), Or GREEN (540nm) light spectrums. Additionally, each color is also available with a separately switched and dimmable white light source as well (80+ CRI; 4000K CCT).

ELECTRICAL: Single 1/2 inch trade size conduit knockout located on rear of housing for wiring. Each color comes with its own dedicated 0-10V 1% dimming driver. Consult factory for other options or requirement not shown.

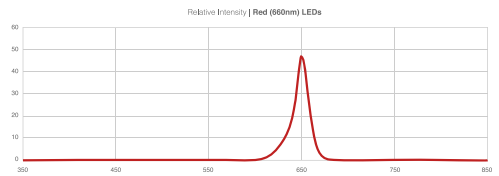
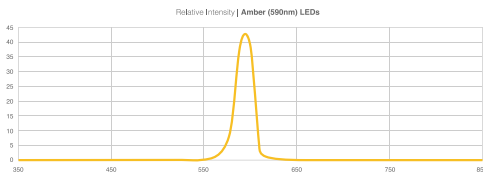
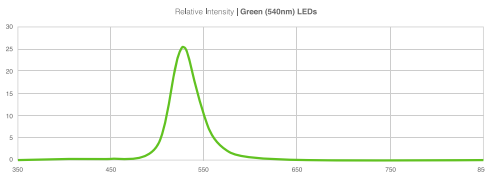
FINISH: White powder coat finish (1,000 hour salt spray test) for housing and 4B satin polish stainless steel finish for doorframe.

INSTALLATION: Four .312 dia. holes in rear of housing for mounting.

WARRANTY: Drivers and LEDs are covered by a 5 year warranty, the remaining fixture is covered by a 10 year warranty.

5-DAY QUICK SHIP POLICY: Quantity restriction of 25 fixtures. Once PO is received by 12:00 PM CST, shipping will occur within 5 business days. Standard freight applies. Expedited shipping to be paid by customer.

RELATIVE INTENSITY



ENERGY DATA

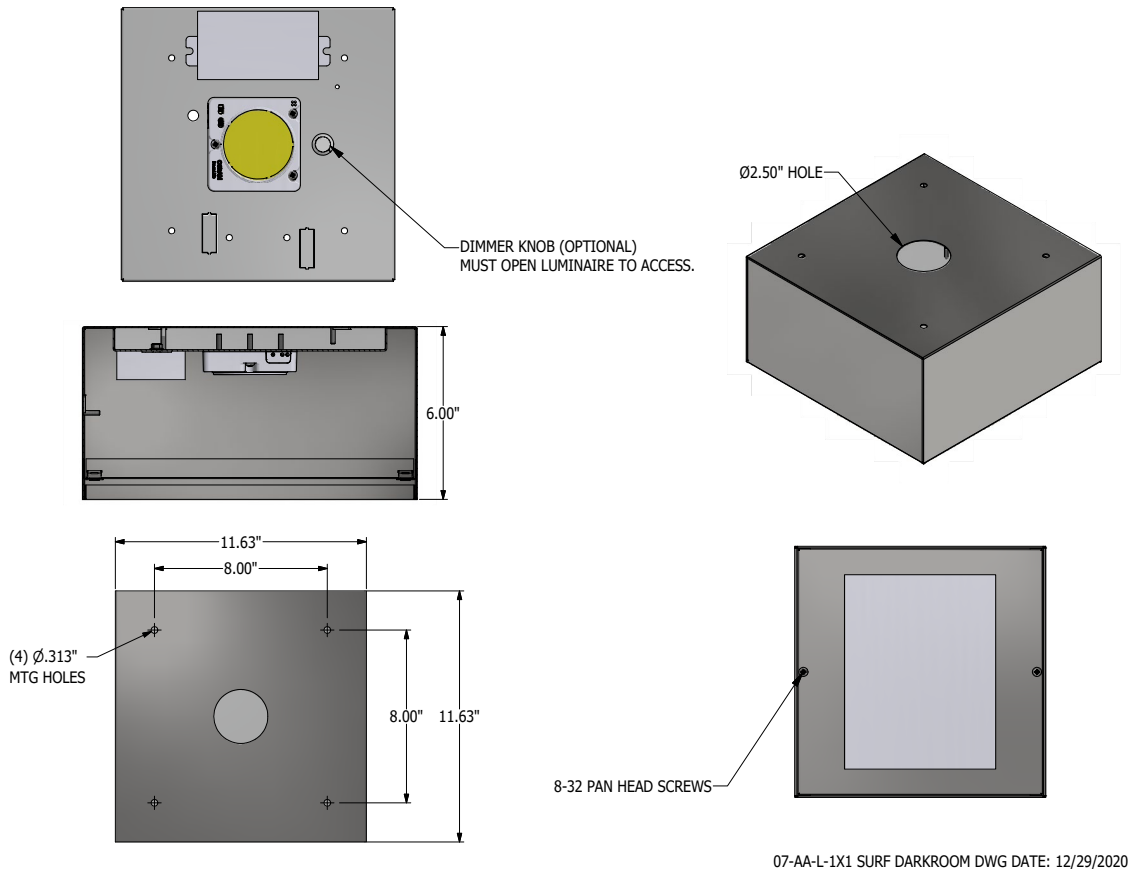
DARKROOM SAFELIGHT						
ENCLOSURE SIZE	LAMP TYPE	LUMEN OUTPUT	LAMP WATTAGE	WAVELENGTH	DIMMING	MAX AMBIENT TEMP (°C)
1X1	RED	50.4	4.2	660 nm	0-10V 1%	40°C (104°F)
1X1	AMBER	83.7	4.4	590 nm	0-10V 1%	40°C (104°F)
1X1	GREEN	167.7	4.4	540 nm	0-10V 1%	40°C (104°F)
1X1	WHITE (80 CRI, 4000K)	1,378.0	20	N/A	0-10V 1%	40°C (104°F)

Darkroom Safelights: DKS-S-1X1-LED-5DQS

Surface Mounted 1x1 Darkroom Safelights With Colored LED Light Sources

PRODUCT DRAWINGS

DKS-S-1X1



07-AA-L-1X1 SURF DARKROOM DWG DATE: 12/29/2020