

MRI Filter Enclosures

- MRI compatible DC filters designed for use with Kurtzon MRI enclosures
- Each filter enclosure can fit up to (3) 3 circuit MRI filters for a maximum of 9 filtered circuits
- Each MRI filtered circuit should be paired only with 1 Kurtzon light fixture
- Observe polarity on entrance and exit of MRI filters
- Filters enclosure to be installed outside shielded room
- Input voltage 60VDC per channel max
- Max current 2A / filtered circuit



DISCLAIMER: Although KURTZON has prepared the information contained in this document with all due care, KURTZON does not warrant or represent that the information is free from errors or omission. While the information is considered to be true and correct at the date of publication, changes in circumstances after the time of publication may impact on the accuracy of the information. The information may change without notice and KURTZON is not in any way liable for the accuracy of any information printed and stored or in any way interpreted or used.

ORDERING GUIDE

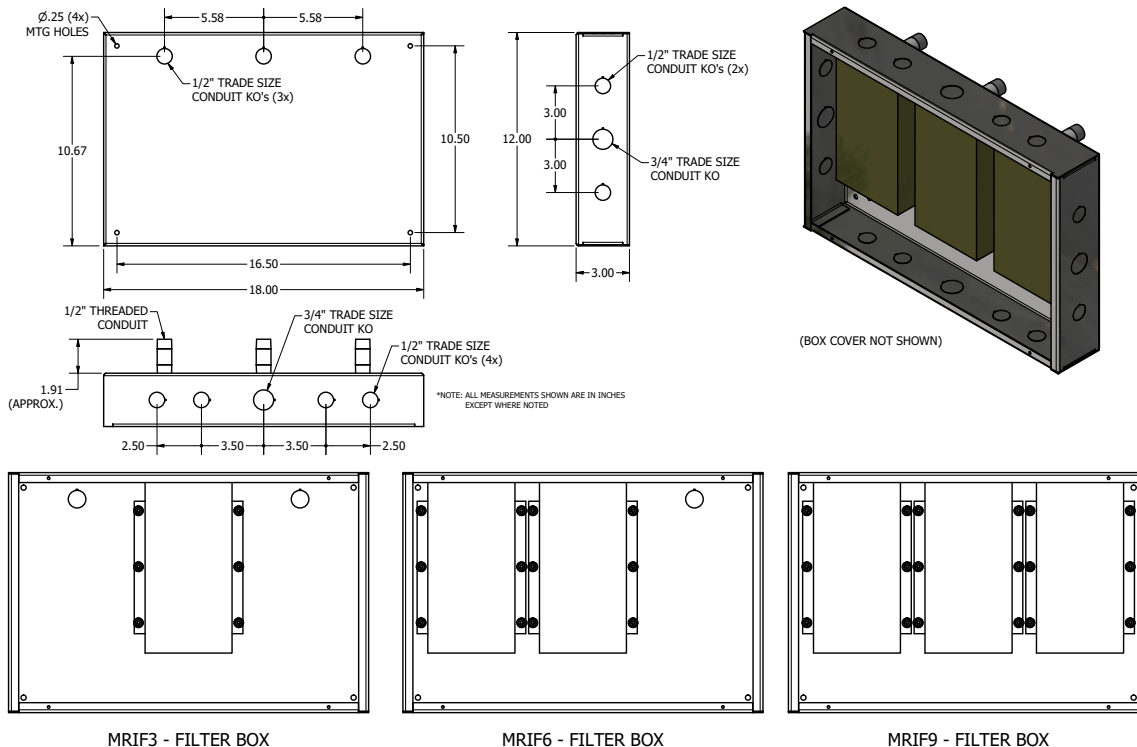
SELECT FILTER:

MRIF-3

MRIF-6

MRIF-9

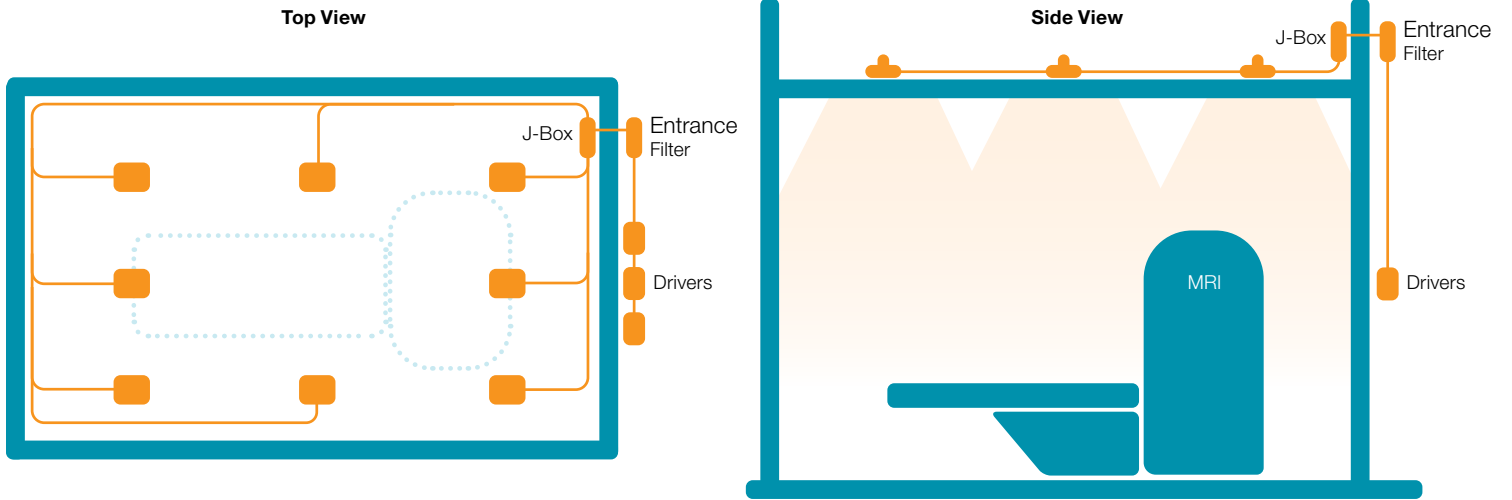
PRODUCT DRAWINGS



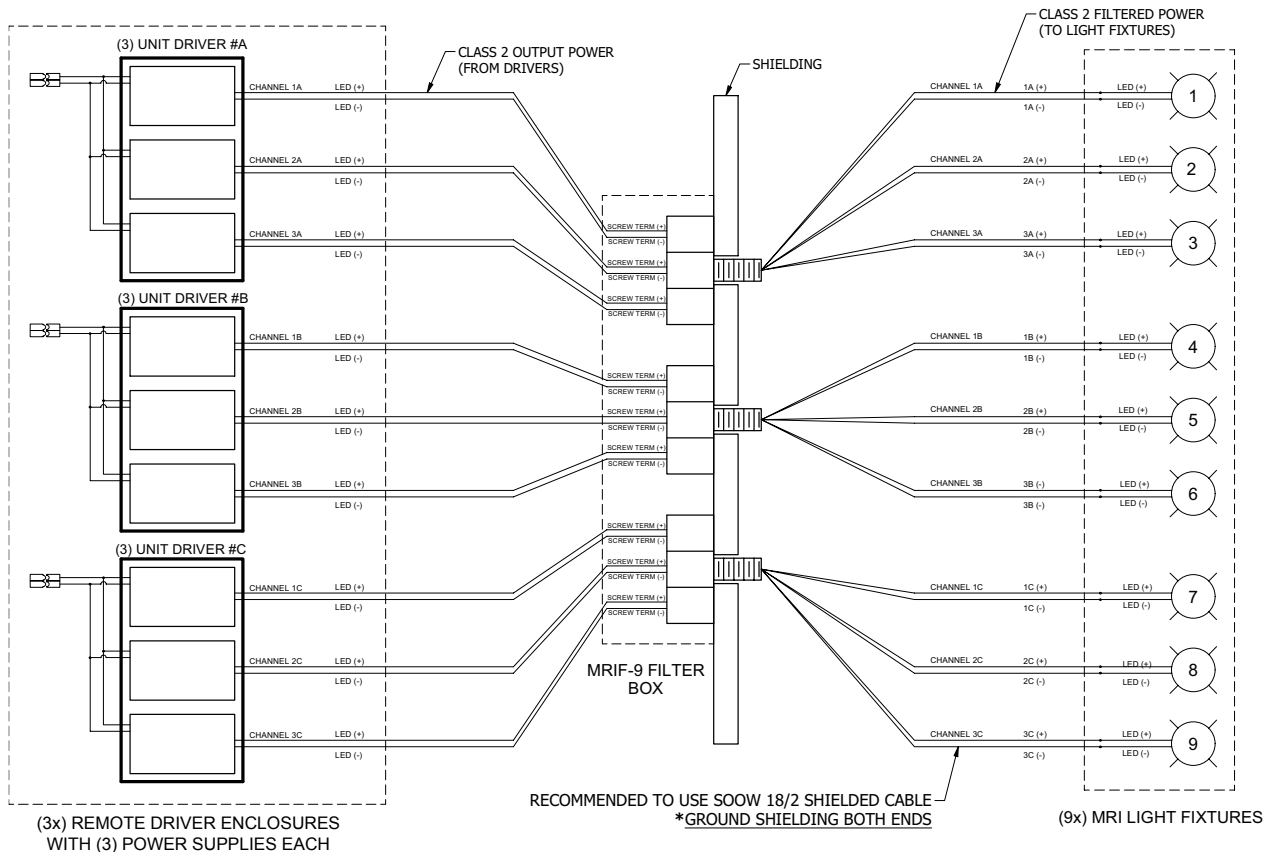
MRI FILTER ENCLOSURE 04/21/2025

MRI Filter Enclosures

MRI INSTALLATION



WIRING SCHEMATIC



NOTE:
OBSERVE POLARITY WHEN WIRING