

# Medical Surgical Downlight

Sealed Recessed Filtered LED Downlight with 6" Aperture

- For Medical Patient, Exam, & Operating Rooms
- IP65 Rating
- Provided With Line Voltage Filter for Conducted Emissions
- Up to 3,400 Lumens Delivered



DISCLAIMER: Although KURTZON has prepared the information contained in this document with all due care, KURTZON does not warrant or represent that the information is free from errors or omission. Whilst the information is considered to be true and correct at the date of publication, changes in circumstances after the time of publication may impact on the accuracy of the information. The information may change without notice and KURTZON is not in any way liable for the accuracy of any information printed and stored or in any way interpreted or used.

## ORDERING GUIDE

Series	Installation	Material	Size	LED Selection	CRI/CCT Selection	Voltage	Baffle	Door (Trim)	Options
<b>ML</b>									
SERIES	INSTALLATION	MATERIAL	SIZE	LED SELECTION	CRI/CCT SELECTION	VOLTAGE	BAFFLE	DOOR (TRIM) FINISH	OPTIONS
ML	SBD: Recessed (Suitable for Flange & Grid)	4: Non-Magnetic	8: 8" Housing	DLM15: 1500Lm Package DLM20: 2000Lm Package DLM30: 3000Lm Package <i>NOTE: Lumen packages are nominal, verify actual values on the energy data chart.</i>	<b>80 CRI</b> 830: 80 CRI 3000k 835: 80 CRI 3500k 840: 80 CRI 4000k  <b>90 CRI</b> 930: 90 CRI 3000k 935: 90 CRI 3500k 940: 90 CRI 4000k	UNV: 120V-277V	WB: White Grooved Baffle BB: Black Grooved Baffle NB: Nickel Baffle SR: Specular Reflector	WT: White Painted Trim ST: Polished Stainless Trim	<b>10KV:</b> 10kv Surge Protection <b>FF:</b> Fuse and Fuse Holder <b>FPL:</b> .118" Frost Polycarbonate Lens <b>EM7:</b> Remote Mount 7W Battery Pack (Specify Input Voltage) <b>LDE1:</b> Lutron Hi-Lume 1% Ecosystem LED Driver SOFTB

# Medical Surgical Downlight

Sealed Recessed Filtered LED Downlight with 6" Aperture

## SPECIFICATIONS

**HOUSING:** Stainless steel body and spun aluminum housing and plaster frame.

**DOOR FRAME:** Aluminum or stainless steel formed with continuous lens hold-down system and screwless entry. Cleanroom style construction with a smooth cleanable surface with no crevices.

**GASKETS:** One piece gasket located at interface of door to housing silicone seals the door to the lens.

**REFLECTOR:** Supplied with a wide variety of baffles and reflectors. See options for availability.

**LENS:** Clear non-prismatic .125" thick polycarbonate lens mechanically secured and silicone sealed to door frame. Optionally available with frosted polycarbonate lens.

**LED:** LEDs are available in several lumen configurations as well as 80 & 90 CRI. Up to 3400 Lumens delivered and supplied with an integrated heatsink to maintain thermal efficiency and prolong the life of the light engine.

**ELECTRICAL:** Integrated constant current static low voltage DC commercially available driver designed specifically for LED array. Driver has 0-10V dimming control to 1%. See options for specified drivers, Lutron controls compatible driver, or other electrical component availability. Provided with Line voltage filter to reduce risk of electrical interference.

**INSTALLATION:** Four adjustable L-brackets allow for seismic support and secure attachment to metal T-Bars, joists or structural metal framing. Sealed 1/2 inch trade size knockouts for wiring. Suitable for 1, 1.5 and 2 inch T-bar widths as well as drywall or plaster ceilings. Suitable for NON-IC installation.

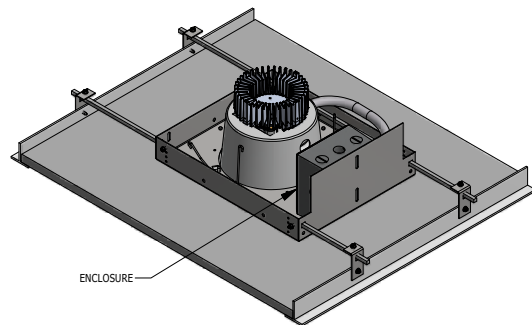
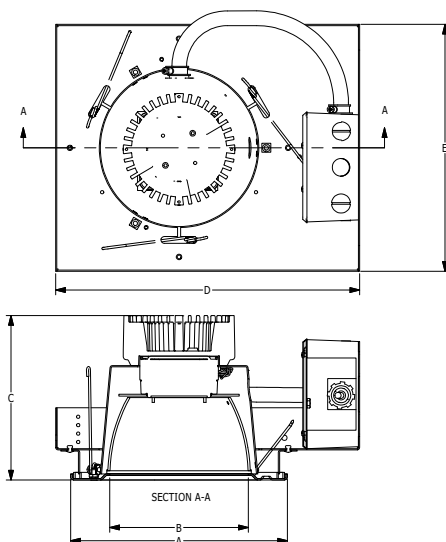
**FINISH:** Antimicrobial white polyester powder coat on doorframe surface. Stainless steel trims are satin polished.

**LISTINGS:** ETL Listed for Wet Locations. Suitable for non-IC installation. IP-65 dust and water jet resistance. IBEW Union Label. Compliant with MIL-461F for conducted and radiated emissions.

**5/10 YEAR WARRANTY:** The driver(s), LED's and EM packs are covered by a five (5) year warranty. The remaining fixture is covered by a ten (10) year warranty. See warranty statement at kurtzon.com for complete details

## PRODUCT DRAWINGS

DOWNLIGHT REFERENCE DIMENSIONS						
MODEL	DIM A	DIM B	DIM C	DIM D	DIM E	DIM F
SBD/IBD	9.00"	5.75"	6.85"	12.65"	10.25"	26.00"



12-AA-L-DOWNLIGHT DWG DATE: 4/11/2107

# Medical Surgical Downlight

Sealed Recessed Filtered LED Downlight with 6" Aperture

## ENERGY DATA

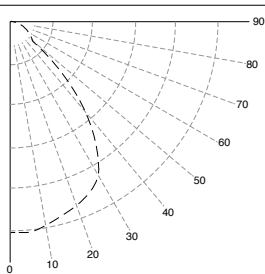
SEALED LED DOWNLIGHT						
LIGHT PACKAGE	CRI	DELIVERED LUMENS (Lm) <sup>1</sup>	WATTAGE (W) <sup>2</sup>	EFFICACY (LM/W)	DIMMING AVAILABILITY	MAX AMBIENT TEMP (°C) <sup>3</sup>
DLM15	80+	1,536	18	85.3	0-10V 1%	40°C (104°F)
DLM15	90+	<b>1,532</b>	21	73.0	0-10V 1%	40°C (104°F)
DLM20	80+	2,117	21	100.8	0-10V 1%	40°C (104°F)
DLM20	90+	<b>2,047</b>	30	68.2	0-10V 1%	40°C (104°F)
DLM30	80+	3,454	42	82.2	0-10V 1%	40°C (104°F)
DLM30	90+	<b>3,277</b>	51	64.3	0-10V 1%	40°C (104°F)
EM7	NA	440-570Lm	4	NA	0-10V 1%	35°C (95°F)

- 1: DELIVERED LUMEN DATA IS EXTRAPOLATED FROM MEASURED DATA @25C WITH NO EXTRA OPTIONS.
- 2: WATTAGE IS MEASURED @ 120vAC AND Tambient = 25C. WATTAGES MAY VARY AND WHEN OPTIONS ARE SELECTED
- 3: MAX TEMP RATING IS WITH NO OTHER OPTIONS SELECTED.(NON-IC)

## PHOTOMETRICS

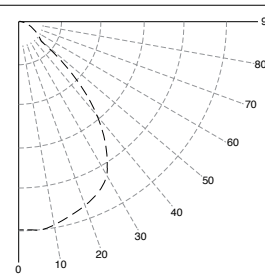
### ML-SBD-4-8-DLM15-940-UNV-WBWT

Report No: 20577.0  
 Total Lumens: 1,532  
 Wattage: 20.537  
 Efficacy: 74.6 (Lumens Per Watt)  
 Fixture Size: 6"  
 Key:  
 - - - - - 0  
 ······ 45  
 \_\_\_\_\_ 90



### ML-SBD-4-8-DLM20-940-UNV-WBWT

Report No: 20579.0  
 Total Lumens: 2,047  
 Wattage: 29.487  
 Efficacy: 69.4 (Lumens Per Watt)  
 Fixture Size: 6"  
 Key:  
 - - - - - 0  
 ······ 45  
 \_\_\_\_\_ 90



### ML-SBD-4-8-DLM30-940-UNV-WBWT

Report No: 20581.0  
 Total Lumens: 3,277  
 Wattage: 50.812  
 Efficacy: 64.5 (Lumens Per Watt)  
 Fixture Size: 6"  
 Key:  
 - - - - - 0  
 ······ 45  
 \_\_\_\_\_ 90

