

Medical Green & White Surgical Downlight: ML-SBD-LED-GREEN

Sealed Recessed Green/White LED Recessed Downlight with 6" Aperture and RF Filtering

- For Medical Patient, Exam, & Operating Rooms
- IP65 Rating
- Provided With Line Voltage Filter for Conducted Emissions
- White & Green Separately controlled circuits
- 0-10V 1% Dimming Standard For Each Color
- B.A.A. Compliant & Made in the USA by a Family Owned US Corporation



DISCLAIMER: Although KURTZON has prepared the information contained in this document with all due care, KURTZON does not warrant or represent that the information is free from errors or omission. Whilst the information is considered to be true and correct at the date of publication, changes in circumstances after the time of publication may impact on the accuracy of the information. The information may change without notice and KURTZON is not in any way liable for the accuracy of any information printed and stored or in any way interpreted or used.

ORDERING GUIDE

Series	Material	Size	LED Type	Voltage	Baffle	Door (Trim)	Optics	Options
ML-SBD	4	8		UNV				
Series	Material	Size	Light Source LED Type	Voltage	Baffle	Door (Trim) Finish	Optics	Options
ML-SBD	4 Non-Magnetic	8 Housing	DLMG-540: Green Only DLMG-540-DLM15-840: 2000LM Package	UNV: 120V-277V*	NB: White Grooved Baffle BB: Black Grooved Baffle NB: Nickel Baffle SR: Specular Reflector	WT: White Painted Trim ST: Polished Stainless Trim	LEX: 0.125" Clear Flat Polycarbonate Lens FPL: 0.125" Frosted Flat Polycarbonate Lens FAL: 0.125" Frosted Flat Acrylic Lens GH85: 0.125" Flatt Diffused Polycarbonate With Glare Suppression Distribution 250CFP: 0.250" Clear Flat Polycarbonate Lens	FC Fuse & Holder (One Supplied Per Circuit) EM7 Mount 7W Battery Pack (Specify Input Voltage) WHITPxL* White Programmed to User Specified Lumen Value GRNPPxL* Green Programmed to User Specified Lumen Value 10KV 10KV Parallel Surge Protection (One Supplied Per Circuit) LDE1 Lutron Hi-Lume 1% Ecosystem LED Driver SOFTB
							Note*: LEX option is standard and will be provided when no other option is selected.	Note*: Specify Value in Ordering Notes Below

Ordering Notes, If Applicable

Medical Green & White Surgical Downlight: ML-SBD-LED-GREEN

Sealed Recessed Green/White LED Recessed Downlight with 6" Aperture and RF Filtering

SPECIFICATIONS

HOUSING: Stainless steel body and spun aluminum housing and plaster frame.

DOOR FRAME: Aluminum or stainless steel formed with continuous lens hold-down system and screwless entry. Cleanroom style construction with a smooth cleanable surface with no crevices.

GASKETS: Closed microcellular extruded gasket located at interface of door to housing. Silicone seals the lens to the door.

REFLECTOR: Supplied with a wide variety of baffles and reflectors. See options for availability.

OPTICS: Clear non-prismatic nominal 1/8" thick polycarbonate lens is standard and will be provided when no options are selected. Other options include frosted or glare suppression film overlays. All lenses are mechanically secured and silicone sealed to door frame.

ELECTRICAL: The LED is a two channel module with both green and white LEDs. Green LEDs are 540nm narrow spectrum high quality chips. White LEDs are 80+ CRI 4000K CCT and deliver about 1500 lumens. Each color is provided with its own driver to control the light when ordered as such and can be switched independently of each other. Standard drivers are class 2 0-10v dimming drivers that dim to 1%. Other control options are available. Drivers are also factory programmable, to specify a lower lumen output of red use the GRNPxL option and replace the "x" with the desired lumen output. To specify a lower light output of white use the WHTPxL option and replace the "x" with the desired lumen output.

INSTALLATION: Suitable for recessed Non-IC Installations into covered ceilings. Four adjustable L-brackets allow for seismic support and secure attachment to metal T-Bars, joists or structural metal framing. Sealed 1/2 inch trade size knockouts for wiring. Suitable for 1, 1.5 and 2 inch T-bar widths as well as drywall or plaster ceilings.

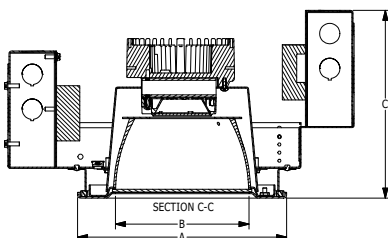
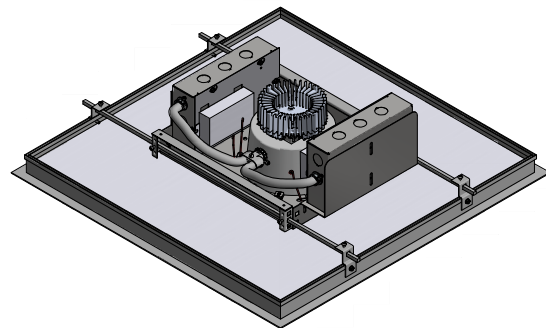
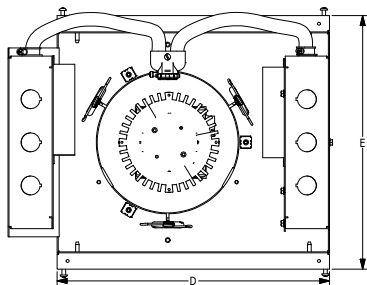
FINISH: Antimicrobial white polyester powder coat on doorframe surface. Stainless steel trims are satin polished.

LISTINGS: ETL Listed for Wet Locations. IP-65 dust and water jet resistance. IBEW Union Label. Compliant with MIL-461F for conducted and radiated emissions. This product is Buy American Act (B.A.A.) compliant.

5/10 YEAR WARRANTY: The driver(s), LED's and EM packs are covered by a five (5) year warranty. The remaining fixture is covered by a ten (10) year warranty. See warranty statement at kurtzon.com for complete details

PRODUCT DRAWINGS

DOWNLIGHT REFERENCE DIMENSIONS						
MODEL	DIM A	DIM B	DIM C	DIM D	DIM E	DIM F
SBD/BD	9.00"	5.75"	8.00"	12.65"	11.75"	26.00"



12-AB-L-DOWNLIGHT 2CH: 4/07/2020

Medical Green & White Surgical Downlight: ML-SBD-LED-GREEN

Sealed Recessed Green/White LED Recessed Downlight with 6" Aperture and RF Filtering

ENERGY DATA

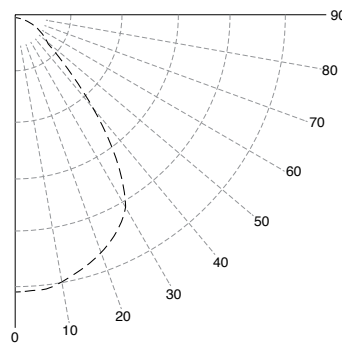
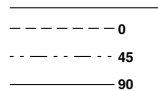
SEALED LED DOWNLIGHT - 540nm GREEN						
LIGHT PACKAGE	GREEN (540nm)			WHITE (80+ CRI; 4000k)		
	DELIVERED LUMENS	WATTAGE	EFFICACY	DELIVERED LUMENS	WATTAGE	EFFICACY
DLMG-540	713	11.4	62.8	NA		
DLMG-540-DLM15-840	549	8.8	62.8	1,600	18	88

- 1: DELIVERED LUMEN DATA IS EXTRAPOLATED FROM MEASURED DATA @25C WITH NO EXTRA OPTIONS.
- 2: WATTAGE IS MEASURED @ 120vAC AND Tambient = 25C. WATTAGES MAY VARY AND WHEN OPTIONS ARE SELECTED
- 3: MAX TEMP RATING IS WITH NO OTHER OPTIONS SELECTED.(NON-IC)

PHOTOMETRICS

CLEAR LENS

Key:



Relative Intensity | Green 540 LEDs

