

Medical Exam Room Troffers: ML-RB-LED

1x4, 2x2, and 2x4 Sealed LED Recessed Basket Luminaires with RF Filtering

- **Rated IP65**
- **Indirect even illumination for reduced glare and eyestrain**
- **ETL listed for Wet Locations**
- **One piece Inset doorframe**
- **Robotically seam welded housing**
- **0-10v 1% dimming standard**
- **Recessed housing suitable for Tbar grid & hardlid installations**
- **B.A.A. & B.A.B.A Compliant & Made in the USA by a Family Owned US Corporation**
- **RF filtered circuits optional**
- **Anti-microbial Powdercoat standard**
- **Available in single or multi-function switching (exam/ambient/night)**
- **Available with Low Voltage Controller**



DISCLAIMER: Although KURTZON has prepared the information contained in this document with all due care, KURTZON does not warrant or represent that the information is free from errors or omission. While the information is considered to be true and correct at the date of publication, changes in circumstances after the time of publication may impact on the accuracy of the information. The information may change without notice and KURTZON is not in any way liable for the accuracy of any information printed and stored or in any way interpreted or used.

ORDERING GUIDE

Series	Material	Size	LED	CCT/CRI	Voltage	Circuits	Optics	Options			
ML-RB											
Series	Material	Size	Light Source		Voltage	Circuits	Optics	Options			
ML-RB	1 White 18Ga. CRS Hsg. & White AM 18Ga. CRS Door	1x4 1' x 4' Housing	3/LEDR	83 CRI:	120V	1/CIR	125A 0.125" Clear Flat Impact Resistant Acrylic	10KV 10KV Parallel Surge Protection (One Supplied Per Circuit)			
		2x2 2' x 2' Housing	3/LEDH	830 3000K	277V	2/CIR	125P 0.125" Clear Flat Impact Resistant Polycarbonate	10KV 10KV Parallel Surge Protection (One Supplied Per Circuit)			
		2x4 2' x 4' Housing	835 3500K	UNV				187P 0.187" Clear Flat Impact Resistant Polycarbonate	WHIP Must Specify Length and Wire Qty		
			840 4000K					250P 0.250" Clear Flat Impact Resistant Polycarbonate	FC Fuse & Holder (One Supplied Per Circuit)		
			850 5000K					EM10 10W Integral LED EM (Specify Input Voltage)			
			EM20 20W Remote LED EM (Specify Input Voltage)								
	2 White 18Ga. CRS Hsg. & White AM 304 SS Door			90+ CRI:				GTD Generator Transfer Device			
				935 3500K	GG 1/8" Thick Grid Gasket (Provided Loose)						
				940 4000K	LVC Low-Voltage Controller						
				950 5000K	NL500 500lm 2700K Night Light						
				NOTE: Additionally available in 95+ CRI with Seoul Sun-Like LEDs. Consult factory for more information.				NOTE: 125A option is standard and will be provided when no other option is selected		Note*: Specify Value in Ordering Notes	

Ordering Notes, If Applicable

Medical Exam Room Troffers: ML-RB-LED

1x4, 2x2, and 2x4 Sealed LED Recessed Basket Luminaires with RF Filtering

SPECIFICATIONS

HOUSING: One piece, hole free, robotically seam welded housing has flattened, knockouts for a superior seal. Housings are available in 18Ga. Cold Rolled Steel with White Powdercoat finish.

DOOR FRAME: One piece inset door frame with seam welds regressing into housing to allowing the NSF approved microcellular gasket to seal to the housing. Door frame is hinged by aircraft cables and secures to housing with captive stainless steel pan head screws. Available in AMW Powder coated 20Ga 304 SS or 18Ga CRS.

GASKETS: Closed cell microcellular extruded KleanLock SealPro gasket with vulcanized corners making a one-piece oil and solvent resistant gasket system. GG option provides a loose 1/8" thick adhesive backed gasket intended to adhere to the top face of a suspended grid ceiling for grid profiles that do not already have gasket on them.

OPTICS: Standard .125" Acrylic Lens is provided when no other options are selected. All optics are sealed to the door with NSF listed RTV silicone sealant. Other optics are available, consult factory for more information or options not listed.

LEDS: Commercially available in a wide variety of Color Temperature (CCT), FLUX, and CRI. Highly efficient and consistent color maintained to 3 SDMC for color critical applications. B50/L70 and compliant with Zhaga recognized hole patterns. Consult factory for LED options or configurations not listed below.

DRIVERS: Standard Universal Voltage Class 2 drivers are 0-10v Dimmable to 1% and rated -20C (-4F). Drivers are also programmable to match specific lumen or wattage requirements (option PxL). Available with single or 2 circuit design for ambeint / exam switching. NL500 option adds a night light switched on a dedicated circuit allowing a maximum of 3 total circuits. All fixtures are available with RF Filtering when selecting RFI option.

REFLECTOR: Specially designed perforated reflector for indirect even fixture illumination.

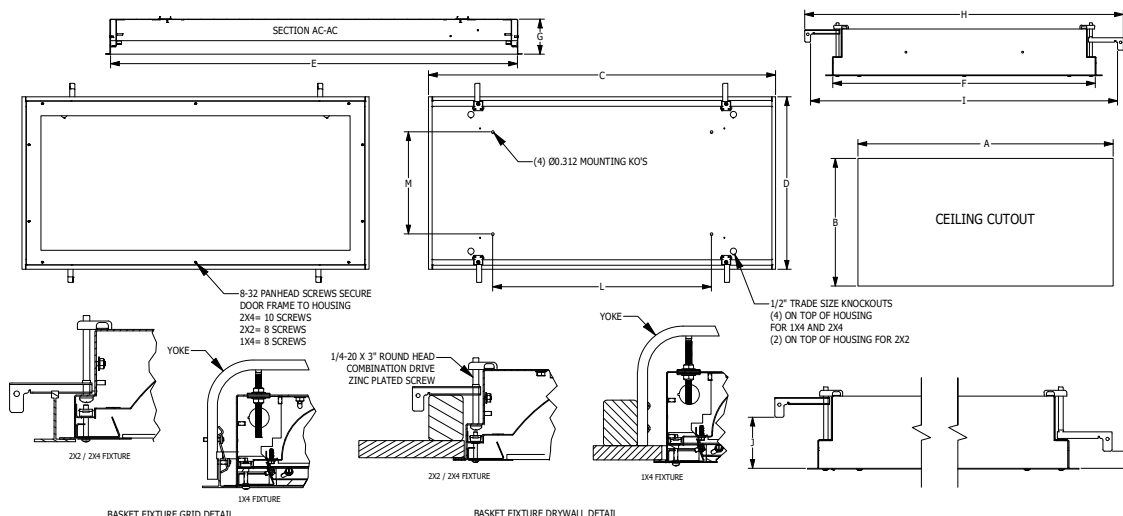
INSTALL RECESSED: One fixture suitable for Grid and Flanged installation. The Recessed 2x2 & 2x4 versions install by use of four adjustable swing out toggle arms with holes for seismic support wire attachment. The 1x4 version installs by use of factory provided yoke hanger brackets along with mounting hardware. Supply entry via 1/2" trade size flattened knockouts on the back of the housing. Suitable for recessed Non-IC Installation.

FINISH: AMW provides a white-microbial polyester powdercoat to all exposed surfaces with glass high reflectance white polyester powdercoat with 1000hr salt spray test per ASTM B117.

LISTINGS: IP65 rated for dust and water ingress. Suitable for 1700 PSI high pressure hosedowns. ETL listed per UL_1598 for wet locations. Chicago Plenum Rated. Certified ISO-14644-1 for class 3 through class 9 cleanspaces. Certified Fed Std 209E for Class 100 through Class 100,000 cleanspaces. NSF2 Listed for Non-Food & Splash Zones. Drivers and LEDs are covered by a 5 year warranty, the remaining fixture is covered by a 10 year warranty. This product Series is both Build America Buy America (B.A.B.A.) & Buy American Act (B.A.A.) compliant. Optionally MIL-STD-461G compliant with RFI option.

PRODUCT DRAWINGS

RECESSED BASKET REFERENCE DIMENSIONS													
SIZE	A	B	C	D	E	F	G	H	I	J	K	L	M
1X4	47.00"	11.00"	47.63"	11.69"	46.50"	10.50"	4.00"	13.12"	12.25"	N/A	N/A	36.00"	8.62"
2X2	23.00"	23.00"	23.69"	23.69"	22.50"	22.50"	4.00"	27.31"	26.31"	2.81"	0.89"	14.00"	14.00"
2X4	47.00"	23.00"	47.63"	23.69"	46.50"	22.50"	4.00"	27.31"	26.31"	2.81"	0.89"	30.00"	14.00"



01-BA-L- INSET REC BASKET DWG. DATE: 05/28/2024

Medical Exam Room Troffers: ML-RB-LED

1x4, 2x2, and 2x4 Sealed LED Recessed Basket Luminaires with RF Filtering

ENERGY DATA

INSET DOOR INDIRECT BASKET TROFFER WITH MULTI-CIRCUIT OPTIONS (APPROX ¹ LUMENS DELIVERED)												
ENCLOSURE SIZE	LIGHT PACKAGE	AMBIENT (2/CIR ONLY)			EXAM (2/CIR ONLY)			AMBEINT + EXAM (1/CIR & 2/CIR)			MAX AMB TEMP ⁴	STANDARD DIMMING
		LUMENS ¹	WATTS ²	EFFICACY ³	LUMENS ¹	WATTS ²	EFFICACY ³	LUMENS ¹	WATTS ²	EFFICACY ³		
1X4	3/LEDR (80+ CRI)	1,610	28	58	4,113	56	73	5,723	84	68	40°C (104°F)	0-10V 1%
1X4	3/LEDH (80+ CRI)	2,476	42	59	6,321	83	76	8,797	125	70	40°C (104°F)	0-10V 1%
1X4	3/LEDR (90+ CRI)	1,544	28	55	3,942	56	70	5,486	84	65	40°C (104°F)	0-10V 1%
1X4	3/LEDH (90+ CRI)	2,377	42	57	6,069	83	73	8,446	125	68	35°C (95°F)	0-10V 1%
2X2	3/LEDR (80+ CRI)	970	13	75	2,100	29	72	3,070	42	73	40°C (104°F)	0-10V 1%
2X2	3/LEDH (80+ CRI)	1,547	20	77	3,227	42	77	4,774	62	77	40°C (104°F)	0-10V 1%
2X2	3/LEDR (90+ CRI)	931	13.0	72	2,012	29	69	2,943	42	70	40°C (104°F)	0-10V 1%
2X2	3/LEDH (90+ CRI)	1,486	20	74	3,098	42	74	4,584	62	74	35°C (95°F)	0-10V 1%
2X4	3/LEDR (80+ CRI)	1,917	28	68	4,525	56	81	6,442	84	77	40°C (104°F)	0-10V 1%
2X4	3/LEDH (80+ CRI)	3,367	42.0	80	6,955	83	84	10,322	125	83	40°C (104°F)	0-10V 1%
2X4	3/LEDR (90+ CRI)	1,838	28.0	66	4,337	56	77	6,175	84	74	40°C (104°F)	0-10V 1%
2X4	3/LEDH (90+ CRI)	3,232	42	77	6,678	83	80	9,910	125	79	35°C (95°F)	0-10V 1%

- ¹ DELIVERED LUMEN DATA IS ADJUSTED FROM TESTED DATA WITH .125" ACRYLIC LENS
- ² WATTAGE IS MEASURED WITH 4000K SELECTION @ 120vAC AND Tambient = 25C. WATTAGES MAY VARY WITH ALTERNATE CONFIGURATIONS
- ³ EFFICACY CALCULATED USING 4000K CCT DATA.
- ⁴ MAX AMBIENT TEMP RATING, NON-IC INSTALLATON. TEMP RATING MAY VARY WITH SPECIFIED DRIVERS OR ANY NON STANDARD SELECTION