

## Medical MRI Downlight: ML-IBD-LED

Non-Magnetic Sealed 6" Aperture LED Recessed Downlight

- **Non-Ferrous Construction for use in MRI Suites**
- **IP65 Rated**
- **Available Entrance Filters for MRI Compatibility**
- **Each Fixture Supplied With Remote Mounted Driver**
- **Up to 4,250 Lumens Delivered**
- **Optionally B.A.A. & B.A.B.A Compliant & Assembled in the USA by a Family Owned US Corporation**



OPTIONAL

OPTIONAL

DISCLAIMER: Although KURTZON has prepared the information contained in this document with all due care, KURTZON does not warrant or represent that the information is free from errors or omission. Whilst the information is considered to be true and correct at the date of publication, changes in circumstances after the time of publication may impact on the accuracy of the information. The information may change without notice and KURTZON is not in any way liable for the accuracy of any information printed and stored or in any way interpreted or used.

### ORDERING GUIDE

Series	Material	Size	LED Type	CCT/CRI	Voltage	Baffle	Door (Trim)	Optics	Options
<b>ML-IBD</b>	<b>4</b>	<b>8</b>			<b>UNV</b>				
Series	Material	Size	Light Source		Voltage	Baffle	Door (Trim) Finish	Optics	Options
ML-IBD	4 Non-Magnetic	8 8" Housing	LED Type	CCT/CRI					
			DLM15 1500LM Package	83 CRI:	UNV: 120V-277V*	WB White Grooved Baffle	WT White Painted Trim	LEX 0.125" Clear Flat Polycarbonate Lens	FC Fuse & Holder (One Supplied Per Circuit)
			DLM20 2000LM Package	830 3000K		BB Black Grooved Baffle	ST Polished Stainless Trim	FPL 0.125" Frosted Flat Polycarbonate Lens	EM7 Remote Mount 7W Battery Pack (Specify Input Voltage)
			DLM30 3000LM Package	835 3500K		NB Nickel Baffle		FAL 0.125" Frosted Flat Acrylic Lens	PxL* Programmed to User Specified Lumen Value.
			DLM40 4000LM Package	840 4000K		SR Specular Reflector		GH85 0.125" Flatt Diffused Polycarbonate With Glare Suppression Distribution	PxW* Programmed to User Specified Wattage Value.
				850 5000K				250CFP 0.250" Clear Flat Polycarbonate Lens	10KV 10KV Parallel Surge Protection (One Supplied Per Circuit)
				90+ CRI:					BAA Buy American Act Compliant
				930 3000K					BABA Build America, Buy America Compliant
				935 3500K					D2OFF 0-10V Dimming to 1% with Dim to Off
				940 4000K					
				950 5000K					
			NOTE: Lumen packages are nominal, verify actual values on the energy data chart						
									Note*: LEX option is standard and will be provided when no other option is selected.
									Note*: Specify Value in Ordering Notes Below
									<b>Required Accessories Ordered Separately</b>
									MRIF3 Three circuit filter for 3 fixtures
									MRIF6 Entrance filter for 6 fixtures
									MRIF9 Entrance filter for 9 fixtures
									<a href="#">View MRI Filter Spec Online</a>

Ordering Notes, If Applicable

# Medical MRI Downlight: ML-IBD-LED

Non-Magnetic Sealed 6" Aperture LED Recessed Downlight

## SPECIFICATIONS

**HOUSING:** Non-magnetic stainless steel body and spun aluminum housing and plaster frame. All hardware and components are not magnetic.

**DOOR FRAME:** Aluminum or stainless steel formed with continuous lens hold-down system and screwless entry. Cleanroom style construction with a smooth cleanable surface with no crevices.

**GASKETS:** Closed microcellular extruded gasket located at interface of door to housing. Silicone seals the lens to the door.

**BAFFLE:** Supplied with a wide variety of baffles and reflectors. See options for availability.

**OPTICS:** Clear non-prismatic nominal 1/8" thick polycarbonate lens is standard and will be provided when no options are selected. Other options include frosted or glare suppression film overlays. All lenses are mechanically secured and silicone sealed to door frame. DLM40 light source selection is provided without integral diffusing optic.

**LED:** LEDs are available in several lumen configurations as well as 80 & 90 CRI. Up to 4,250 Lumens delivered and supplied with an integrated heatsink to maintain thermal efficiency and prolong the life of the light engine.

**ELECTRICAL:** Constant current static low voltage DC provided from included remote driver. Drivers are 0-10v dimming standard as 1% and are supplied with the fixtures in a remote enclosure. Proprietary MRI Entrance filters comply with MIL-461G for conducted emissions and must be purchased separately.

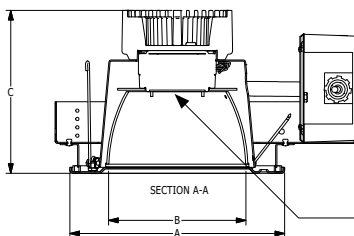
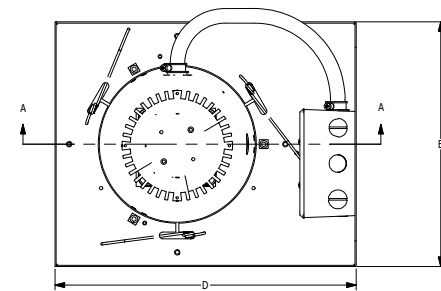
**INSTALLATION:** Suitable for recessed Non-IC Installations into covered ceilings. Adjustable brackets allow for seismic support and secure attachment to metal T-Bars, joists or structural metal framing. Sealed 1/2 inch trade size knockouts for wiring. Suitable for 1, 1.5 and 2 inch T-bar widths as well as drywall or plaster ceiling.

**FINISH:** Antimicrobial white polyester powder coat on doorframe surface. Stainless steel trims are satin polished.

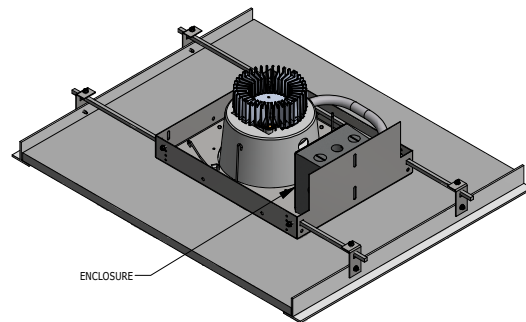
**LISTINGS:** IP65 rated for dust and water ingress. ETL listed per UL\_1598 for wet locations. Military Standard 461G compliant for conducted and radiated emissions. Non-Magnetic construction. Drivers and LEDs are covered by a 5 year warranty, the remaining fixture is covered by a 10 year warranty. This product Series is both Build America Buy America (B.A.B.A.) & Buy American Act (B.A.A.) compliant optionally.

## PRODUCT DRAWINGS

DOWNLIGHT REFERENCE DIMENSIONS						
MODEL	DIM A	DIM B	DIM C	DIM D	DIM E	DIM F
SBD/IBD	9.00"	5.75"	6.85"	12.65"	10.25"	26.00"



INTEGRAL DIFFUSING OPTIC  
(NOT INCLUDED FOR DLM40)



12-AA-L-DOWNLIGHT DWG DATE: 4/11/2107

# Medical MRI Downlight: ML-IBD-LED

Non-Magnetic Sealed 6" Aperture LED Recessed Downlight

## ENERGY DATA

SEALED LED DOWNLIGHT						
LIGHT PACKAGE	CRI	DELIVERED LUMENS (Lm) <sup>1</sup>	WATTAGE (W) <sup>2</sup>	EFFICACY (LM/W)	DIMMING AVAILABILITY	MAX AMBIENT TEMP (°C) <sup>3</sup>
DLM15	80+	1,536	15	102.4	0-10V 1%	40°C (104°F)
DLM15	90+	1,462	18	81.3	0-10V 1%	40°C (104°F)
DLM20	80+	2,049	20	102.4	0-10V 1%	40°C (104°F)
DLM20	90+	1,948	24	81.2	0-10V 1%	40°C (104°F)
DLM30	80+	<b>3,353</b>	<b>35</b>	<b>97.3</b>	0-10V 1%	40°C (104°F)
DLM30	90+	3,094	41	75.5	0-10V 1%	35°C (95°F)
DLM40	80+	<b>4,247</b>	<b>35</b>	<b>121.2</b>	0-10V 1%	40°C (104°F)
DLM40	90+	3,918	41	95.6	0-10V 1%	35°C (95°F)
EM7	NA	528-848Lm	4	NA	0-10V 1%	35°C (95°F)

- 1: DELIVERED LUMEN DATA IS EXTRAPOLATED FROM MEASURED DATA @25C WITH NO EXTRA OPTIONS.
- 2: WATTAGE IS MEASURED @ 120vAC AND Tambient = 25C. WATTAGES MAY VARY AND WHEN OPTIONS ARE SELECTED
- 3: MAX TEMP RATING IS WITH NO OTHER OPTIONS SELECTED.(NON-IC)

## PHOTOMETRICS

### CLEAR LENS

Key:

