

Hazardous A Profile Wrap

Sealed 4' Linear Fluorescent Surface A-Profile Wrap

- **UL Listed for Wet & Hazardous Locations**
- **Suitable For Use In Class 1 Division 2 Groups A, B, C, & D Hazardous Locations**
- **IP65 Rating**
- **Row Mounting Available**



DISCLAIMER: Although KURTZON has prepared the information contained in this document with all due care, KURTZON does not warrant or represent that the information is free from errors or omission. While the information is considered to be true and correct at the date of publication, changes in circumstances after the time of publication may impact on the accuracy of the information. The information may change without notice and KURTZON is not in any way liable for the accuracy of any information printed and stored or in any way interpreted or used.

ORDERING GUIDE

Series	Lens Type	Material	Size	Lamps	Voltage	Options
HL						
HL	A Smooth Frosted Acrylic	1 White CRS Ext. & White CRS Int.	20 2' Housing	1/T8 F32T8	120V	H/FC Fuse & Holder (One Supplied Per Circuit)
	LPA Clear Linear Prismatic Poly	3 Polished 304 SS Ext. & 304 SS Int.	40 4' Housing		277V	2/EB Two Ballasts (Two Circuits)
		4 White Alum Ext. & White CRS Int.			UNV	EBL -20F Electronic Ballast
					347V*	EBPRS Program Rapid Start Ballast
						WHT White Finished Stainless Steel
						TP Stainless Steel Tamperproof Fasteners
						CRM Continuous Row Mounting
						PMB (2) Pendant Mount Brackets (Pendants or Chains by Others)
						WHIP Must Specify Length and Wire Qty
						SW Sealed Wireway for Conduit End Feed (each end)

Hazardous A Profile Wrap

Sealed 4' Linear Fluorescent Surface A-Profile Wrap

SPECIFICATIONS

HOUSING: Double channel housing of 20Ga 1008 Cold Rolled Steel, 20Ga 304 Stainless Steel, or .040" 3003 Aluminum construction.

END CAPS: Precision stamped 20Ga 304 Stainless Steel end caps secured to housing with captive stainless steel pan head screws. See Options for Tamper resistant Torx drive stainless steel fasteners or hub assembly.

GASKETS: Closed cell 100% pure neoprene gasketing. Resists aging, grease and solvents.

LENS: Extruded .125" thick frosted acrylic. See "Options" for more choices.

LAMPS: Suitable for most T8 lamps. (By others)

ELECTRICAL: Standard Class P Ballast - Electronic < 10% THD, high performance instant start universal voltage (120-277). See options for Rapid Start, Dimming, or Cold Temp Ballasts, Others available (must specify). Dual level switching available with 2/EB option.

REFLECTOR: Die formed metal with high reflectance white polyester powder coat finish. Typical reflectivity 92%.

INSTALL SURFACE: Not for Outdoor use. Orientation restricted to vertical $\pm 45^\circ$ (typical ceiling mount) required for wet locations only. Suitable for any orientation in damp locations. Four .312" debossed holes for surface mounting. One .875" (1/2" trade-size) flattened and silicone sealed knockout located on back of housing for wiring. See below for other mounting and supply entry options.

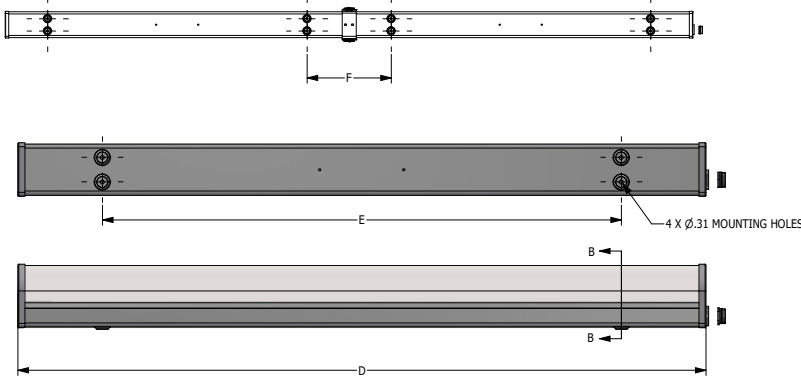
ROWS: Joiner bands provided for continuous row mounting (See Option: CRM). Please specify number of fixtures in each run.

FINISH: Gloss white high reflectance 1000 hr. salt spray polyester powder coat finish standard for all housings. Stainless steel doorframes are satin polished unless option WHT is chosen.

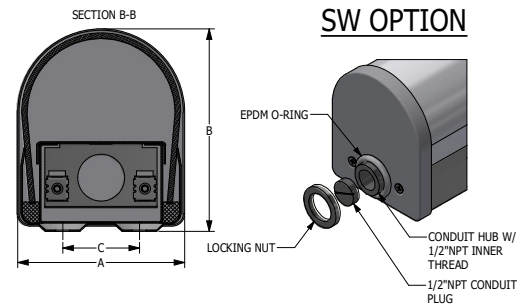
LISTINGS: Listed for Class I Division II Groups A,B,C & D hazardous locations. IP65 rated for dust and water ingress. UL listed per UL_1598 for wet locations. Electrical components covered under manufacturers warranty, the remaining fixture is covered by a 10 year warranty.

PRODUCT DRAWINGS

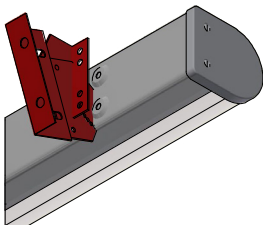
CRM INSTALLATION



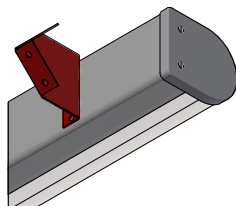
A PROFILE REFERENCE DIMENSIONS							
SIZE	DIM A	DIM B	DIM C	DIM D	DIM E	DIM F	DIM G
20	3.8"	4.6"	1.75"	25.07"	13.0"	12.0"	50.07"
40	3.8"	4.6"	1.75"	49.2"	37.0"	12.0"	98.2"



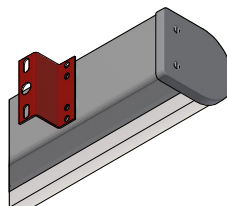
AMB OPTION



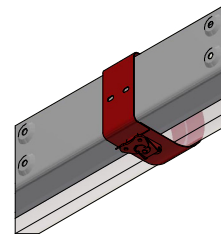
CMB OPTION



PMB OPTION



CRM JOINER BAND



05-AA-L-A PROFILE WRAP DWG DATE: 6/04/18

Hazardous A Profile Wrap

Sealed 4' Linear Fluorescent Surface A-Profile Wrap

ENERGY DATA

HAZ. CLASS 1 DIVISION 2 "A" PROFILE FLUORESCENT WRAP						
ENCLOSURE SIZE	LAMP TYPE	LAMP QTY ¹	(EBPRS) RAPID START	(H/EM) 1 LAMP EMERGENCY ²	HAZ TEMP CODE ³	MAX AMBIENT TEMP ³
20	F17WT8	1	OPTIONAL	N/A	T4A	25°C (77°F)
40	F32WT8	1	OPTIONAL	N/A	T4A	25°C (77°F)

¹ LAMPS SUPPLIED BY OTHERS

² TOTAL GENERATED LUMENS (FROM STANDARD EMERGENCY BALLAST SPECIFICATION SHEET)

³ TEMP RATING MAY VARY WITH ALTERNATE SPECIFIED BALLASTS OR ANY NON STANDARD SELECTION