



# Hazardous Corner Mount

Linear Corner Mount Fluorescent Luminaires

## SPECIFICATIONS

**HOUSING:** One piece, hole free, robotically seam welded housing has fattened, silicone sealed knockouts for a superior seal. Available in .040" 3003 Aluminum, 20Ga 304 Stainless Steel, or 20Ga 1008 Cold Rolled Steel.

**DOOR FRAME:** Inset door frame made from welded channels regresses into the housing to allow the neoprene gasket to seal to the housing. Door frame is hinged by aircraft cables and secures to housing with captive stainless steel pan head screws. Available in 20Ga Powder Coated Cold Rolled Steel, 20Ga 304 Polished SS.

**GASKETS:** Closed cell 100% pure neoprene gasket with vulcanized corners making a one-piece oil and solvent resistant gasket system.

**LENS:** Impact Resistant .135" thick virgin acrylic with P12 prismatic pattern inverted. See "Options" for other choices.

**LAMPS:** Suitable for most T8 lamps. (By others)

**ELECTRICAL:** Standard Class P Ballast - Electronic < 10% THD, high performance instant start universal voltage (120-277). See options for Rapid Start, Dimming, or Cold Temp Ballasts, Others available (must specify). Dual level switching available with 2/EB option

**REFLECTOR:** Die formed metal with high reflectance white polyester powder coat finish. Typical reflectivity 92%.

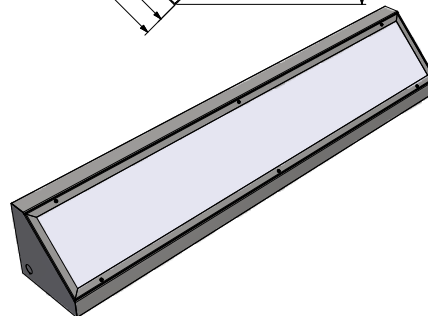
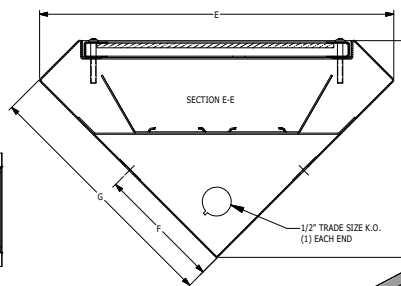
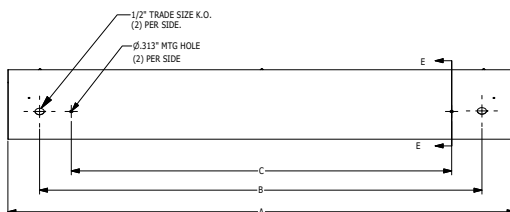
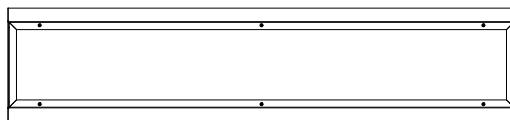
**INSTALL SURFACE:** Four .312" dia. mounting holes and a removable gasketed wiring access plate with Supply entry via 1/2" trade size fattened and silicone sealed knockouts. Meyers Hub (ST-1) provided for field drilling or installation in one of six locations.

**FINISH:** Gloss white high reflectance 1000 hr. salt spray polyester powder coat finish standard for all housings. Stainless steel doorframes are satin polished unless option WHT is chosen.

**LISTINGS:** Listed for Class I Division II Groups A,B,C & D hazardous locations. IP55 rated for dust and water ingress. UL listed per UL\_1598 for wet locations. Certified ISO-14644-1 for class 5 through class 9 cleanspaces. Certified Fed Std 209E for Class 100 through Class 100,000 cleanspaces. Electrical components covered under manufacturers warranty, the remaining fixture is covered by a 10 year warranty.

## PRODUCT DRAWINGS

CORNER CHANNEL REFERENCE DIMENSIONS							
SIZE	DIM A	DIM B	DIM C	DIM D	DIM E	DIM F	DIM G
40	48.08"	42.00"	36.00"	6.50"	10.75"	3.75"	7.63"



06-AA-L-40 COR CHANNEL 03/30/2017

# Hazardous Corner Mount

Linear Corner Mount Fluorescent Luminaires

## ENERGY DATA

HAZ. CLASS 1 DIVISION 2 CHANNEL DOOR CORNER MOUNT FLUORESCENT						
ENCLOSURE SIZE	LAMP TYPE	LAMP QTY <sup>1</sup>	(EBPRS) RAPID START	(H/EM) 1 LAMP EMERGENCY <sup>2</sup>	HAZ TEMP CODE <sup>3</sup>	MAX AMBIENT TEMP <sup>3</sup>
20	F17WT8	1 OR 2	OPTIONAL	N/A	T4A	25°C (77°F)
40	F32WT8	1 OR 2	OPTIONAL	N/A	T4A	25°C (77°F)

<sup>1</sup> LAMPS SUPPLIED BY OTHERS

<sup>2</sup> TOTAL GENERATED LUMENS (FROM STANDARD EMERGENCY BALLAST SPECIFICATION SHEET)

<sup>3</sup> TEMP RATING MAY VARY WITH ALTERNATE SPECIFIED BALLASTS OR ANY NON STANDARD SELECTION