

# Hazardous X12 EL Troffers

1x4, 2x2 and 2x4 Fluorescent Luminaires

- Suitable for use in Class 1 Division 2 Groups A,B,C, & D installations
- IP55 rating
- UL listed for wet location
- Recessed Housing suitable for Tbar Grid and Hardlid Installations
- Made in the USA by a Family Owned US Corporation



DISCLAIMER: Although KURTZON has prepared the information contained in this document with all due care, KURTZON does not warrant or represent that the information is free from errors or omission. Whilst the information is considered to be true and correct at the date of publication, changes in circumstances after the time of publication may impact on the accuracy of the information. The information may change without notice and KURTZON is not in any way liable for the accuracy of any information printed and stored or in any way interpreted or used.

## ORDERING GUIDE

Series	Installation Type	Material	Size	Lamps	Voltage	Options
<b>ELX12</b>						
ELX12	R: Recessed (suitable for flange and grid)	3: White 430 SS Hsg. & Polished 304 SS Door	1x4: 1' x 4' Housing	2/T5: F28T5	120V 277V UNV 347V*	H/FC: Fuse & Holder (One Supplied Per Circuit) 2/EB: Two Ballasts (Two Circuits) EBL: -20F Electronic Ballast WHT: White Finished Door & HSG LEX: .125" Prismatic Polycarbonate A19: .156" Prismatic P19 Pattern Clear Acrylic HIA: .140" High Impact P12 Pattern Clear Acrylic TG: .156" Prismatic C73 Tempered Glass SW: Wet Location Hub Supplied (not installed) H1/EM: 1 Lamp EM (See Chart For Lamp Compatibility) 10KV: 10KV Parallel Surge Protection (One Supplied Per Circuit) GTD: Generator Transfer Device WHIP: Must Specify Length and Wire Qty GG: NSF Approved Seal-Pro Gasket
		4: White AL Hsg. & Polished 304 SS Door	2x2: 2' x 2' Housing OR 2x4: 2' x 4' Housing	2/T5HO: F54FTHO		
	5: White AL Hsg. & White AL Door		2,3,4 or 6/T5: F14T5			
			2,3,4 or 6/T5HO: F24T5HO			
S: Surface	2: White CRS Hsg. & Polished 304 SS Door	3: Polished 304 SS Hsg. & Polished 304 SS Door	1x4: 1' x 4' Housing	1 or 2/T5: F28T5	120V 277V UNV 347V*	H/FC: Fuse & Holder (One Supplied Per Circuit) 2/EB: Two Ballasts (Two Circuits) EBL: -20F Electronic Ballast WHT: White Finished Door & HSG LEX: .125" Prismatic Polycarbonate A19: .156" Prismatic P19 Pattern Clear Acrylic HIA: .140" High Impact P12 Pattern Clear Acrylic TG: .156" Prismatic C73 Tempered Glass SW: Wet Location Hub Supplied (not installed) H1/EM: 1 Lamp EM (See Chart For Lamp Compatibility) 10KV: 10KV Parallel Surge Protection (One Supplied Per Circuit) GTD: Generator Transfer Device WHIP: Must Specify Length and Wire Qty GG: NSF Approved Seal-Pro Gasket
		4: White AL Hsg. & Polished 304 SS Door	2x2: 2' x 2' Housing OR 2x4: 2' x 4' Housing	1 or 2/T5HO: F54FTHO		
	5: White AL Hsg. & White AL Door		2,3,4 or 6/T5: F14T5			
	6: White CRS Hsg. & White AL Door		2,3,4 or 6/T5HO: F24T5HO			

# Hazardous X12 EL Troffers

1x4, 2x2 and 2x4 Fluorescent Luminaires

## SPECIFICATIONS

**HOUSING:** One piece, hole free, robotically seam welded housing has flattened, silicone sealed knockouts for a superior seal. Recessed housings are available in .040" 3003 Aluminum or 20Ga 430 Stainless Steel. Surface housings are available in .040" 3003 Aluminum, 20Ga 304 Stainless Steel, or 20Ga 1008 Cold Rolled Steel.

**DOOR FRAME:** Inset door frame made from welded channels regresses into the housing to allow the neoprene gasket to seal to the housing. Door frame is hinged by aircraft cables and secures to housing with captive stainless steel pan head screws. Available in .040" 3003 Powder coated Alum. , 20Ga 304 Polished SS.

**GASKETS:** Closed cell 100% pure neoprene gasket with vulcanized corners making a one-piece oil and solvent resistant gasket system.

**LENS:** Impact Resistant .135" thick virgin acrylic with P12 prismatic pattern inverted. See "Options" for other choices.

**LAMPS:** Suitable for most T5 and T5HO lamps. (By others)

**ELECTRICAL:** Standard Class P Ballast - Electronic < 10% THD, high performance rapid start universal voltage (120-277). See options for Dimming or Cold Temp Ballasts, Others available (must specify). Dual level switching available with 2/EB option

**REFLECTOR:** Die formed metal with high reflectance white polyester powder coat finish. Typical reflectivity 92%.

**INSTALL RECESSED:** One fixture suitable for Grid and Flanged installation. Accommodates 1" and 1.5" T-Bar Grid (Consult factory for 2" T-Bar Grid compatibility). Four adjustable toggle arms with holes for seismic support wire attachment. Supply entry via 1/2" trade size flattened knockouts.

**INSTALL SURFACE:** Four .312" dia. mounting holes and a removable gasketed wiring access plate with Supply entry via 1/2" trade size flattened and silicone sealed knockouts.

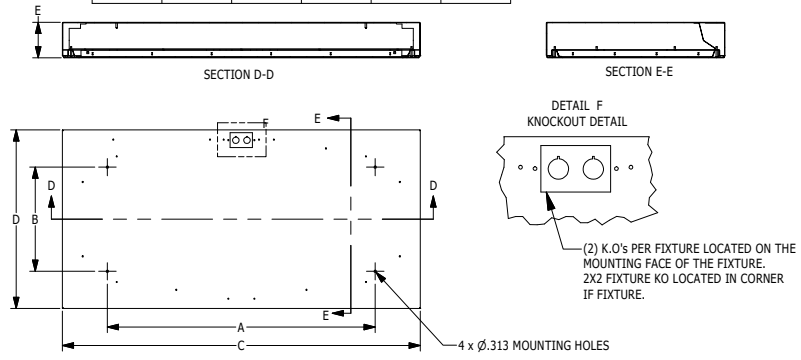
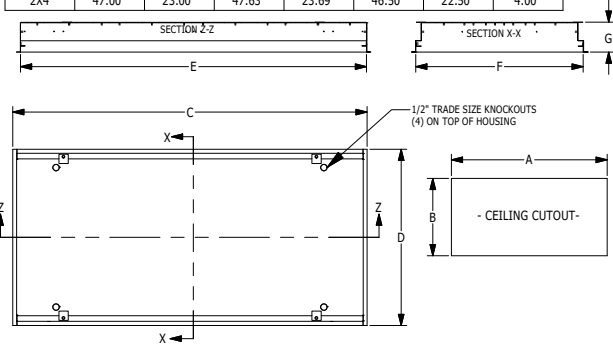
**FINISH:** Gloss white high reflectance 1000 hr. salt spray polyester powder coat finish standard for all housings. Stainless steel doorframes are satin polished unless option WHT is chosen.

**LISTINGS:** IP55 rated for dust and water ingress. UL listed per UL\_1598 for wet locations. Chicago Plenum Rated. Certified ISO-14644-1 for class 5 through class 9 cleanspaces. Certified Fed Std 209E for Class 100 through Class 100,000 cleanspaces. Listed for Class I Division II Groups A,B,C & D hazardous locations. Optionally NSF2 Listed for Non-Food Zones. Electrical components covered under manufacturers warranty, the remaining fixture is covered by a 10 year warranty.

## PRODUCT DRAWINGS

"R" HOUSING REFERENCE DIMENSIONS							
SIZE	A	B	C	D	E	F	G
1X4	47.00"	11.00"	47.63"	11.69"	46.50"	10.50"	4.00"
2X2	23.00"	23.00"	23.63"	23.69"	22.50"	22.50"	4.00"
2X4	47.00"	23.00"	47.63"	23.69"	46.50"	22.50"	4.00"

"S" REFERENCE DIMENSIONS					
SIZE	DIM A	DIM B	DIM C	DIM D	DIM E
1X4	43.00"	4.75"	48.08"	12.00"	4.75"
2X2	12.00"	14.00"	24.08"	24.00"	4.75"
2X4	36.00"	14.00"	48.08"	24.00"	4.75"



## Hazardous X12 EL Troffers

1x4, 2x2 and 2x4 Fluorescent Luminaires

### ENERGY DATA

HAZ CLASS 1 DIVISION 2 CHANNEL-FGS-FLUOR TROFFER					
ENCLOSURE SIZE	LAMP TYPE	LAMP QTY <sup>1</sup>	(H1/EM) 1 LAMP EMERGENCY <sup>2</sup>	HAZ TEMP CODE	MAX AMBIENT TEMP <sup>3</sup>
1X4	F28WT5	1 OR 2	1050 Lm	T3A	25°C (77°F)
1X4	F54WT5HO	1 OR 2	1150 Lm	T3A	25°C (77°F)
2X2	F14WT5	2,3,4 OR 6	850 Lm	T3A	25°C (77°F)
2X2	F24WT5HO	2,3,4 OR 6	925 Lm	T3A	25°C (77°F)
2X4	F28WT5	2,3,4 OR 6	1050 Lm	T3A	25°C (77°F)
2X4	F54WT5HO	2,3,4 OR 6	1150 Lm	T3A	25°C (77°F)

<sup>1</sup> LAMPS SUPPLIED BY OTHERS

<sup>2</sup> TOTAL GENERATED LUMENS (FROM STD EM BALLAST SPECIFICATION SHEET) HIGHER LUMEN OPTIONS MAY BE AVAILABLE

<sup>3</sup> TEMP RATING MAY VARY WITH ALTERNATE SPECIFIED BALLASTS OR ANY NON STANDARD SELECTION