

# Food Processing Top Relamp Troffers: FP-R/TR LED

1x4 & 2x4 High Efficiency LED Luminaire with Top and Bottom Access

- **IP66 rated**
- **NSF2 listed for non-food & splash zones, Optionally rated for Food Zone Non-Contact.**
- **ETL listed for wet locations**
- **One piece overlapping doorframe**
- **0-10V 1% dimming standard**
- **Access to luminaire from plenum side of ceiling**
- **Suitable for high pressure hosedowns**
- **Recessed housing suitable for Tbar grid & Hardlid installations**
- **B.A.A. Compliant & Made in the USA by a Family Owned US Corporation**



DISCLAIMER: Although KURTZON has prepared the information contained in this document with all due care, KURTZON does not warrant or represent that the information is free from errors or omission. Whilst the information is considered to be true and correct at the date of publication, changes in circumstances after the time of publication may impact on the accuracy of the information. The information may change without notice and KURTZON is not in any way liable for the accuracy of any information printed and stored or in any way interpreted or used.

## ORDERING GUIDE

| Series         | Material   | Size                                    | Row Qty.          | LED Type   | CCT/CRI  | Voltage   | Optics   | Options  |  |
|----------------|--|---|-------------------|--|--|-----------|--|--|--|
| <b>FP-R/TR</b> |  |   |                   |  |  |           |  |  |  |
| FP-R/TR        | 1 White CRS Hsg. & White CRS Door  | 1x4 1'x4' Housing                       | 1                 | LEDR   | 83 CRI:  | 120V      | P12ACR 0.135" P12 Prismatic Impact Resistant Acrylic (Inverted)            | SW Wet Location Hub Supplied (not installed)                             |  |
|                |  |   | 2                 | LEDH   | 830 3000K  | 277V      | LEX 0.125" P12 Prismatic Polycarbonate (Inverted)                          | PxL * Programmed to User Specified Lumen Value.                          |  |
|                |  | 2 White CRS Hsg. & Polished 304 SS Door | 1x4 1'x4' Housing | 3  | LEDHF  | 835 3500K | UNV  | A19 0.156" A19 Prismatic Impact Resistant Acrylic (Inverted)             | PxW * Programmed to User Specified Wattage Value.              |
|                |  |   |                   | 4  | LEDH   | 840 4000K | 347V*  | TG 0.156" Prismatic Tempered Glass (Inverted)                            | 10KV 10KV Parallel Surge Protection (One Supplied Per Circuit) |
|                |  | 2x4 2'x4' Housing                       | 2                 | 3  | LEDR   | 850 5000K | *347V Available with 10% dimming, not all options are compatible with 347V | HIA 0.140" P12 Prismatic High Impact Resistant Acrylic (Inverted)        | GTD Generator Transfer Device                                  |
|                |  |   |                   | 4  | LEDHF  | 90+ CRI:  |  | FROST 0.125" Flat Diffusing Frost Acrylic                                | WHIP Must Specify Length and Wire Qty                          |
|                | 3  |   | 935 3500K         | 2DBW 0.125" Flat Diffused Acrylic with Bi-Directional Batwing Distribution | OCCMW Internal microwave OCC Sensor                |           |  |  |  |
|                |  |   | 940 4000K         | LBW 0.125" Flat Diffused Acrylic with Linear Batwing Distribution          | FC Fuse & Holder (One Supplied Per Circuit)        |           |  |  |  |
|                |  |   | 950 5000K         | GH85 0.125" Flat Diffused Acrylic with Glare Suppression Distribution      | EM10** 10W Integral LED EM (Specify Input Voltage) |           |  |  |  |
|                |  |   |                   |  | EM20 20W Remote LED EM (Specify Input Voltage)     |           |  |  |  |
|                | NOTE: Additionally available in 95+ CRI with Seoul Sun-Like LEDs. Consult factory for more information |   |                   |  |  |           |  | GG 1/8" Thick Grid Gasket (Provided Loose)                               | EDL -40F Electronic Driver                                     |
|                |  |   |                   |  |  |           |  | WHT White Finished Door & HSG  | AMW Anti-Microbial White Powdercoat                            |
|                |  |   |                   |  |  |           | 2/ED Two Drivers/Two Circuits  | FZNC NSF food zone non-contact rating (adds FDA approved room side lens) |  |

Ordering Notes, If Applicable

Note\*: Specify Value in Ordering Notes Below  
 \*\*Note: EM10 external mount for 2x4 4/LEDHF selections.

# Food Processing Top Relamp Troffers: FP-R/TR LED

1x4 & 2x4 High Efficiency LED Luminaire with Top and Bottom Access

## SPECIFICATIONS

**HOUSING:** One piece, hole free, robotically seam welded 20Ga CRS housing has flattened knockouts for a superior seal. Gasketed top cover allows all services from above. Fully white powder coated.

**DOOR FRAME:** One piece door frame with welded corners overlaps the fixture allowing the NSF approved microcellular gasket to seal to the mounting surface. Door frame is hinged by aircraft cables and is supplied with captive stainless steel flush head screws to allow easy wiping of the surface. Available in 20Ga 304 Polished SS, or 18Ga Powder coated CRS.

**GASKETS:** NSF Listed closed cell microcellular extruded KleanLock SealPro gasket with vulcanized corners making a one-piece oil and solvent resistant gasket system. GG option provides a loose 1/8" thick adhesive backed gasket intended to adhere to the top face of a suspended grid ceiling for grid profiles that do not already have gasket on them.

**OPTICS:** Standard P12 prismatic acrylic lens is provided when no other options are selected. All prismatic lensing options come with an inverted lens so the smooth side faces the room for easy cleaning. All optics are sealed to the door with NSF listed RTV silicone sealant. Other optics are available, consult factory for more information or options not listed.

**LEDS:** Commercially available in a wide variety of Color Temperature (CCT), FLUX, and CRI. Highly efficient and consistent color maintained to 3 SDMC for color critical applications. B50/L70 and compliant with Zhaga recognized hole patterns. Consult factory for LED options or configurations not listed below.

**DRIVERS:** Standard Universal Voltage Class 2 drivers are 0-10v Dimmable to 1%, and rated -20C (-4F). They come with at least 2.5Kv surge protection, have less than 10% THD at max load, Ballast Factor Greater than .95 and are programmable to match specific lumen or wattage requirements. Drivers with higher input voltage ratings are available, consult factory for driver specifications.

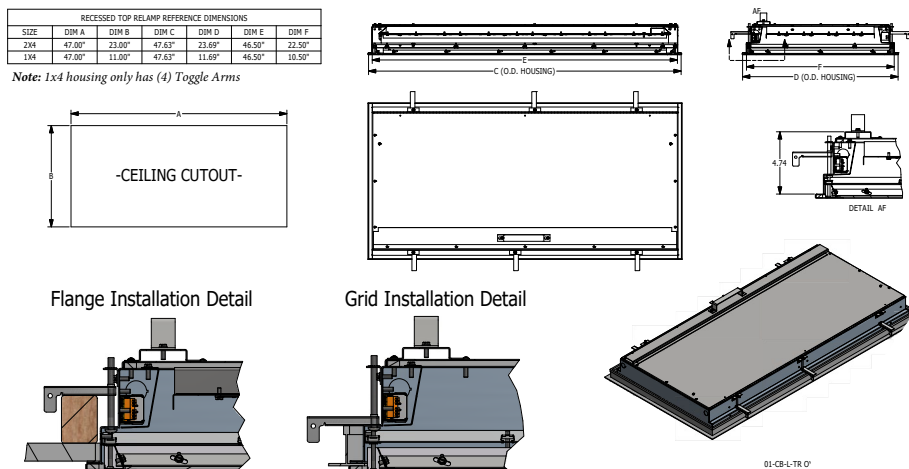
**REFLECTOR:** Die formed metal with high reflectance white polyester powder coat finish. Typical reflectivity 92%.

**INSTALLATION:** Suitable for recessed NON-IC installation into grid or flange ceilings. Accommodates most 1" and 1.5" T-Bar Grid see below installation details. Four or six adjustable toggle arms with holes for seismic support wire attachment. Supply entry via 1/2" trade size flattened knockouts located at the ends of the fixture.

**FINISH:** Stainless steel door frames are satin polished unless WHT or AMW options are selected. All other materials are provided with gloss high reflectance white polyester powdercoat with 1000hr salt spray test per ASTM B117. AMW option provides a white anti-microbial polyester powder coat to all exposed surfaces.

**LISTINGS:** NSF2 listed for Non-Food & Splash Zones, optionally listed for Food Zone Non-Contact with FZNC Option. IP66 rated for dust and water ingress. Suitable for 1700 PSI high pressure hosedowns. ETL listed per UL\_1598 for wet locations. Chicago Plenum Rated. Certified ISO-14644-1 for class 3 through class 9 cleanspaces. Certified Fed Std 209E for Class 1 through Class 100,000 cleanspaces. Drivers and LEDs are covered by a 5 year warranty, the remaining fixture is covered by a 10 year warranty. This product is Buy American Act (B.A.A.) Compliant.

## PRODUCT DRAWINGS



# Food Processing Top Relamp Troffers: FP-R/TR LED

1x4 & 2x4 High Efficiency LED Luminaire with Top and Bottom Access

## ENERGY DATA

| RECESSED OVERLAP TOP RELAMP LED TROFFER (APPROX <sup>1</sup> LUMENS DELIVERED) |               |                        |                    |                       |              |                       |                    |                       |                           |                  |
|--|---------------|------------------------|--------------------|-----------------------|--------------|-----------------------|--------------------|-----------------------|---------------------------|------------------|
| ENCLOSURE SIZE   | LIGHT PACKAGE | 83 CRI (3000K - 5000K) |                    |                       |              | 90 CRI (3500K, 4000K) |                    |                       |                           | STANDARD DIMMING |
|  |               | LUMENS                 | WATTS <sup>2</sup> | EFFICACY <sup>3</sup> | MAX AMB TEMP | LUMENS                | WATTS <sup>2</sup> | EFFICACY <sup>3</sup> | MAX AMB TEMP <sup>4</sup> |                  |
| 1X4  | 1LEDR         | 2,974                  | 29                 | 103                   | 45°C (113°F) | 2,868                 | 29                 | 99                    | 45°C (113°F)              | 0-10V 1%         |
| 1X4  | 2LEDR         | <b>5,948</b>           | <b>55</b>          | <b>108</b>            | 45°C (113°F) | <b>5,736</b>          | <b>56</b>          | <b>103</b>            | 45°C (113°F)              | 0-10V 1%         |
| 1X4  | 2LEDH         | <b>11,493</b>          | <b>109</b>         | <b>106</b>            | 35°C (95°F)  | <b>10,980</b>         | <b>109</b>         | <b>101</b>            | 35°C (95°F)               | 0-10V 1%         |
| 1X4  | 2LEDHF        | <b>18,046</b>          | <b>153</b>         | <b>118</b>            | 35°C (95°F)  | 15,546                | 183                | 85                    | 35°C (95°F)               | 0-10V 1%         |
| 1X4  | EM10          | 1030-1180              | 4                  | NA                    | 40°C (104°F) | 850-1030              | 4                  | NA                    | 40°C (104°F)              | NA               |
| 2X4  | 2LEDR         | 6,864                  | 55                 | 125                   | 45°C (113°F) | 6,567                 | 56                 | 117                   | 45°C (113°F)              | 0-10V 1%         |
| 2X4  | 3LEDR         | <b>10,295</b>          | <b>83</b>          | <b>124</b>            | 45°C (113°F) | <b>9,851</b>          | <b>83</b>          | <b>119</b>            | 45°C (113°F)              | 0-10V 1%         |
| 2X4  | 2LEDH         | 13,488                 | 109                | 124                   | 40°C (104°F) | 12,816                | 109                | 118                   | 40°C (104°F)              | 0-10V 1%         |
| 2X4  | 4LEDR         | 13,726                 | 111                | 124                   | 45°C (113°F) | 13,134                | 113                | 116                   | 45°C (113°F)              | 0-10V 1%         |
| 2X4  | 3LEDH         | <b>20,233</b>          | <b>165</b>         | <b>123</b>            | 40°C (104°F) | <b>19,224</b>         | <b>165</b>         | <b>117</b>            | 40°C (104°F)              | 0-10V 1%         |
| 2X4  | 4LEDH         | 26,977                 | 220                | 123                   | 40°C (104°F) | 25,632                | 220                | 117                   | 40°C (104°F)              | 0-10V 1%         |
| 2X4  | 4LEDHF        | <b>39,373</b>          | <b>305</b>         | <b>129</b>            | 35°C (95°F)  | 35,488                | 373                | 95                    | 35°C (95°F)               | 0-10V 1%         |
| 2X4  | EM10          | 1230-1290              | 4                  | NA                    | 40°C (104°F) | 950-1190              | 4                  | NA                    | 40°C (104°F)              | NA               |

<sup>1</sup> DELIVERED LUMEN DATA IS EXTRAPOLATED FROM MEASURED DATA @ 25C WITH NO EXTRA OPTIONS. VARIANCES WILL OCCUR WHEN OPTIONS ARE CHOSEN

<sup>2</sup> WATTAGE IS MEASURED WITH 4000K SELECTION @ 120vAC AND Tambient = 25C. WATTAGES MAY VARY WITH ALTERNATE CONFIGURATIONS

<sup>3</sup> EFFICACY CALCULATED USING 4000K CCT DATA.

## PHOTOMETRICS

### P12 PRISMATIC

Key:

