

Food Processing Top Access High Bay: FP-IMP LED

2x2 Recessed LED Luminaire With Top Access for IMP Ceilings

- Available with energy efficient low profile option
- 625 lb Direct Static Load Rating
- For Recessed Installation Into 4" Insulated Metal Panel (IMP) Ceilings (5" and 6" Optional)
- Accessible From Plenum Side Of Ceiling Only
- Multiple optics available
- Up To 40,000 Lumens Delivered
- Ambient Operating Temp up to 50C (122F)
- Evaluated and approved by ETL for installation into IMP ceilings. Luminaire may be in direct contact with IMP ceiling's insulation, eliminating need to cap off the rough-in saving time and money.
- B.A.A. Compliant & Made in the USA by a Family Owned US Corporation



Not all product variations listed on this page are DLC qualified. Visit <https://www.designlights.org/gi/> to confirm qualification.

DISCLAIMER: Although KURTZON has prepared the information contained in this document with all due care, KURTZON does not warrant or represent that the information is free from errors or omission. Whilst the information is considered to be true and correct at the date of publication, changes in circumstances after the time of publication may impact on the accuracy of the information. The information may change without notice and KURTZON is not in any way liable for the accuracy of any information printed and stored or in any way interpreted or used.

ORDERING GUIDE

Series	Material	Size	Row Qty.	LED Type	CCT/CRI	Voltage	Optics	Options	
FP-IMP	1 White CRS Hsg. & White CRS Door	2x2 2x2 Housing <small>(Provided with Heatsinks and C.O.B.s)</small>	3	LEDB	70 CRI:	120V	P12ACR 0.135" P12 Prismatic Impact Resistant Acrylic (Inverted)	FC Fuse & Holder (One Supplied Per Circuit)	
			4		750 5000k CCT	277V	LEX 0.125" P12 Prismatic Polycarbonate (Inverted)	EM20 20W Remote LED EM (Specify Input Voltage)	
	2 White CRS Hsg. & Polished SS Door					80 CRI:	UNV	A19 0.156" A19 Prismatic Impact Resistant Acrylic (Inverted)	WHT White Finished Door & H5G
						835 3500K	347V*	TG 0.156" Prismatic Tempered Glass (Inverted)	PxL Programmed to User Specified Lumen Value.∞
						840 4000K	HIA 0.140" P12 Prismatic High Impact Resistant Acrylic (Inverted)	PxW Programmed to User Specified Wattage Value.∞	
						850 5000K	FROST 0.125" Flat Diffusing Frost Acrylic	10KV 10KV Parallel Surge Protection (One Supplied Per Circuit)	
						90+ CRI:	2DBW 0.125" Flat Diffused Acrylic with Bi-Directional Batwing distribution	GTD Generator Transfer Device	
						935 3500K	LBW 0.125" Flat Diffused Acrylic with Linear Batwing Distribution	IMP5 Fixture Suitable for 5" IMP	
						940 4000K	GH85 0.125" Flat Diffused Acrylic with Glare Suppression Distribution	IMP6 Fixture Suitable for 6" IMP	
	950 5000K		1/CPB Locking Cordset with Plug and Junction box termination						
	2x2 LP 2x2 Housing <small>(Low Profile - Provided with high-powered linear modules. No heatsinks)</small>	4	LEDFE		80 CRI:				
		6			835 3500K				
					840 4000K				
					850 5000K				

NOTE: FROST option is standard and will be provided when no other option is selected

Ordering Notes, If Applicable

Food Processing Top Access High Bay: FP-IMP LED

2x2 Recessed LED Luminaire With Top Access for IMP Ceilings

SPECIFICATIONS

HOUSING: Welded, sealed, and hole free CRS Housing with latches secured for accessing electrical panel.

DOOR FRAME: Overlapping style trim flange made from 14Ga powdercoated cold rolled steel or 14Ga polished 304 stainless steel. The trim frame is secured to the housing by 12 #12-24 screws that are only accessible from the plenum side of the ceiling. All hardware is concealed for cleanability.

GASKETS: NSF Listed closed cell microcellular extruded gasket with vulcanized corners making a one-piece oil and solvent resistant gasket system.

OPTICS: Standard frost acrylic lens is provided when no other options are selected. All prismatic lensing options come with an inverted lens so the smooth side faces the room for easy cleaning. All optics are sealed to the door with NSF listed RTV silicone sealant. Other optics are available, consult factory for more information or options not listed.

TOP COVER 2X2: Houses all electrical components and is easily removable from the plenum side by use of (4) rotary draw latches. The 2x2 version is available with 3 or 4 high wattage cob modules that are available in 70, 80, or 90 CRI. High wattage cobs require heat sinking to efficiently remove heat from LED and convect into plenum space. Provided with UL listed class 2 programmable power supplies that are capable of dimming down to 5% via 0-10V dimming. Power supplies have 6KV of surge protection built into them.

TOP COVER 2X2LP: Houses all electrical components and is easily removable from the plenum side by use of (4) rotary draw latches. The 2x2LP version is available with 4 or 6 linear modules that are available in 80CRI only. High efficiency modules do not require heat sinking allowing the top cover to be smaller and lighter. Provided with ul listed class 2 programmable power supplies that are capable of dimming down to 5% via 0-10V dimming. Power supplies have 6KV of surge protection built into them.

INSTALLATION: Two .875" supply entrances for conduit connection. Designed to clamp a 4" IMP ceiling, optionally available for 5" and 6" ceilings also. Rated for 625lb static load (not intended to be walked on). Available with specified Cords and Whips.

FINISH: Stainless steel door frames are satin polished unless WHT or AMW options are selected. All other materials are provided with gloss high reflectance white polyester powdercoat with 1000hr salt spray test per ASTM B117. AMW option provides a white anti-microbial polyester powder coat on frame.

LISTINGS: NSF2 listed for Non-Food & Splash Zones, optionally listed for Food Zone Non-Contact with FZNC option. Suitable for 1700 PSI high pressure hosedowns. ETL listed per UL_1598 for wet locations. Chicago Plenum Rated. Drivers and LEDs are covered by a 5 year warranty, the remaining fixture is covered by a 10 year warranty. Suitable for direct static loads up to 625Lbs, not intended to be walked on. This product is Buy American Act (B.A.A.) compliant.

ENERGY DATA

IMP-2X2-3or4 LED												
ENCLOSURE SIZE	LIGHT PACKAGE	70 CRI (5000K)			80 CRI (3000K-5000K)			90 CRI (3500K-5000K)			DIMMING AVAILABILITY	MAX AMBIENT TEMP (°C) ¹
		Lumens	Wattage	Efficacy	Lumens	Wattage	Efficacy	Lumens	Wattage	Efficacy		
2X2	FROST LENS 3LEDB	28,600	248	115	25,226	248	102	20,200	248	81	0-10V 5%	50°C (122°F)
2X2	FROST LENS 4LEDB	40,961	330	124	36,040	329	110	28,700	329	87	0-10V 5%	50°C (122°F)
2X2	20W EM ⁶	2300-2480	9	NA	2040-2200	9	NA	1620-1740	9	NA	NA	50°C (122°F)

¹ DELIVERED LUMEN DATA IS EXTRAPOLATED FROM MEASURED DATA @25C WITH NO EXTRA OPTIONS. VARIANCES WILL OCCUR WHEN OTHER SELECTIONS ARE MADE

² WATTAGE IS MEASURED WITH LED 750 SELECTION @ 120vAC AND Tambient = 25C. WATTAGES WILL VARY AND INCREASE WHEN ALTERNATE OPTOINS ARE SELECTED

³ EFFICACY CALCULATED USING LOWEST CCT @ 25C AMBIENT VARIATIONS MAY OCCUR

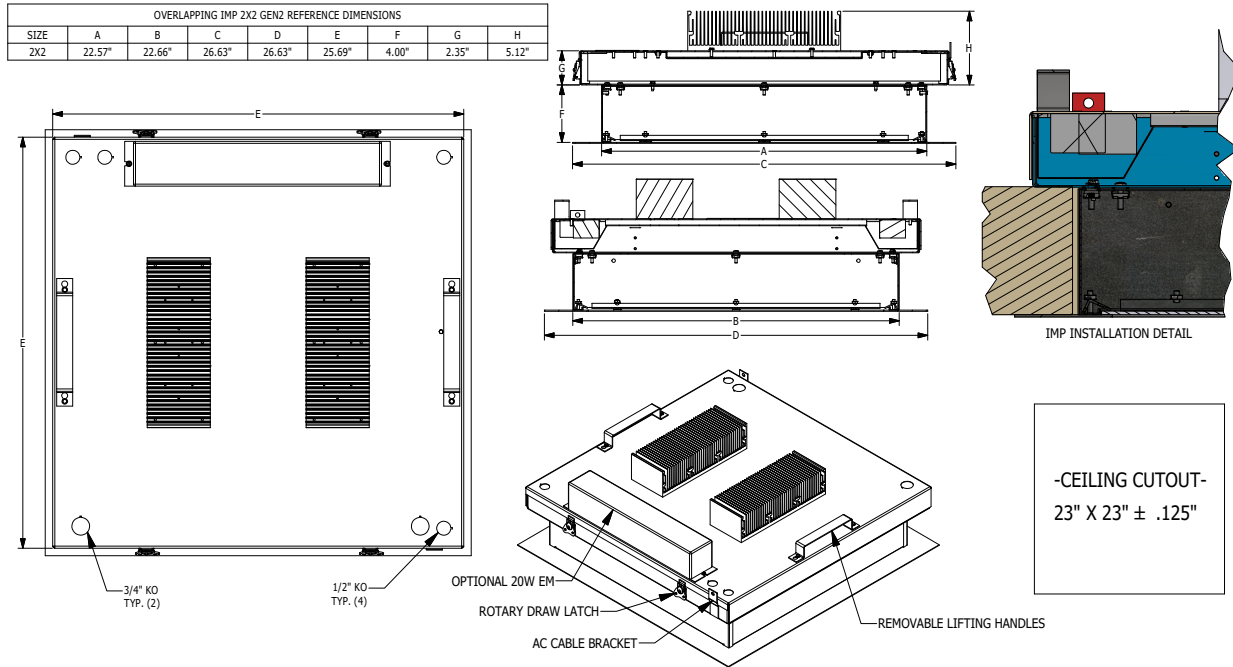
⁴ MAX TEMP RATING IS WITH NO OTHER OPTIONS SELECTED.

⁶ INITIAL LUMEN VALUE CALCULATED BY (20W)*(NORMAL LUMENS/NORMAL WATTAGE).

Food Processing Top Access High Bay: FP-IMP LED

2x2 Recessed LED Luminaire With Top Access for IMP Ceilings

PRODUCT DRAWINGS

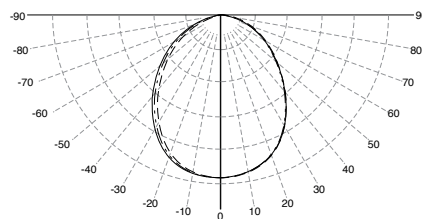
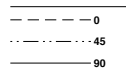


10-AB-L-FP IMP GEN2 MDT2 DWG DATE: 10/07/2019

PHOTOMETRICS

FROST OPTICS

Key:



Food Processing Top Access High Bay: FP-IMP LED

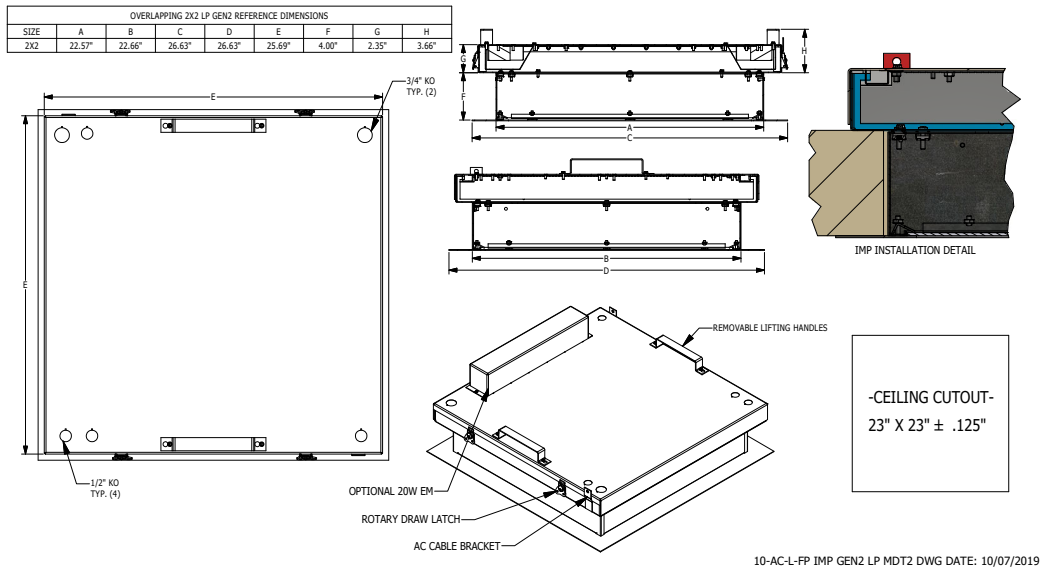
2x2 Recessed LED Luminaire With Top Access for IMP Ceilings

ENERGY DATA - LOW PROFILE (2x2LP)

IMP-2X2LP-4or6 LED												
ENCLOSURE SIZE	LIGHT PACKAGE	70 CRI (5000K)			80 CRI (3000K-5000K)			90 CRI (3500K-5000K)			DIMMING AVAILABILITY	MAX AMBIENT TEMP (°C)*
		Lumens	Wattage	Efficacy	Lumens	Wattage	Efficacy	Lumens	Wattage	Efficacy		
2X2LP	FROST LENS 4LEDFE	N/A	N/A	N/A	25,700	210	122.4	N/A	N/A	N/A	0-10V 5%	55°C (131°F)
2X2LP	FROST LENS 6LEDFE	N/A	N/A	N/A	38,607	314.2	122.9	N/A	N/A	N/A	0-10V 5%	55°C (131°F)
2X2LP	20W EM ¹	N/A	N/A	N/A	2400-2450	9	N/A	N/A	N/A	N/A	0-10V 5%	50°C (122°F)

- ¹ DELIVERED LUMEN DATA IS EXTRAPOLATED FROM MEASURED DATA @25C WITH NO EXTRA OPTIONS. VARIANCES WILL OCCUR WHEN OTHER SELECTIONS ARE MADE
- ² WATTAGE IS MEASURED WITH LED 750 SELECTION @ 120VAC AND Tambient = 25C. WATTAGES WILL VARY AND INCREASE WHEN ALTERNATE OPTOINS ARE SELECTED
- ³ EFFICACY CALCULATED USING LOWEST CCT @ 25C AMBIENT VARIATIONS MAY OCCUR
- ⁴ MAX TEMP RATING IS WITH NO OTHER OPTIONS SELECTED.
- ⁵ INITIAL LUMEN VALUE CALCULATED BY (20W)*(NORMAL LUMENS/NORMAL WATTAGE).

PRODUCT DRAWINGS - LOW PROFILE (2x2LP)



PHOTOMETRICS - LOW PROFILE (2x2LP)

