

Darkroom Safelights: DKS-S-1X2-LED

1x2 Darkroom Safelights With Colored LED Light Sources

- **For Low Level Illumination**
- **Provided with narrow spectrum non-filtered LEDs**
- **Available in Red, Red/White. Amber, Amber/White, Green, Green/White colors.**
- **2 compartment light fixture**
- **Made in the USA by a Family Owned US Corporation**
- **Suitable for surface ceiling mounting**



Red (660nm) shown. Also available in Amber (590nm) and Green (540nm) narrow spectrum wavelengths.



DISCLAIMER: Although KURTZON has prepared the information contained in this document with all due care, KURTZON does not warrant or represent that the information is free from errors or omission. While the information is considered to be true and correct at the date of publication, changes in circumstances after the time of publication may impact on the accuracy of the information. The information may change without notice and KURTZON is not in any way liable for the accuracy of any information printed and stored or in any way interpreted or used.

ORDERING GUIDE

Series	Material	Size	Compartment 1 Light Source	Compartment 2 Light Source	Voltage	Optics	Options
DKS-S	2	1x2			UNV		
Series	Material	Size	Light Source	Light Source	Voltage	Optics	Options
DKS-S	2 White CRS Hsg. & Polished 304 SS Door	1x2 1' x 2' Housing	AMB 590nM	AMB 590nM	UNV	FROST 0.125" Flat Diffusing Frost Acrylic	D20FF 0-10V 1% Dim To Off
			AMB/WHT 590nM/80CRI 4000K CCT	AMB/WHT 590nM/80CRI 4000K CCT		TG .156" Prismatic C73 Tempered Glass	WHT White Finished Door & HSG
			RED 660nM	RED 660nM		LEX .125" Prismatic Polycarbonate	INTDIM Integral 0-10V Adjustable Dimming Knob
			RED/WHT 660nM/80CRI 4000K CCT	RED/WHT 660nM/80CRI 4000K CCT		NOTE: FROST option is standard and will be provided when no other option is selected	
			GRN 540nM	GRN 540nM			AMW Anti-Microbial White Powdercoat
			GRN/WHT 540nM/80CRI 4000K CCT	GRN/WHT 540nM/80CRI 4000K CCT			
			(Select only one light source)	(Select only one light source)			

Ordering Notes, If Applicable

Darkroom Safelights: DKS-S-1X2-LED

1x2 Darkroom Safelights With Colored LED Light Sources

SPECIFICATIONS

HOUSING: Lapped and spot welded 20-gauge CRS construction.

DOOR FRAME: 20Ga gauge 4B satin polished stainless steel door frame. Door frame neoprene gasketed to housing and secured with flush mounted captive stainless steel fasteners. Hinged to housing with stainless steel cables.

REFLECTOR: Die formed metal with high reflectance white polyester powder coat finish. Typical reflectivity 92%.

OPTICS: 0.125" frost acrylic lens standard when no options are selected. All prismatic lensing is inverted so smooth side faces out.

LED: Provided with Narrow Spectrum non-filtered dimmable LED light sources. Available in DEEP RED (660nm), TRUE AMBER (590nm), Or GREEN (540nm) light spectrums. Additionally, each color is also available with a separately switched and dimmable white light source as well (80+ CRI; 4000K CCT).

ELECTRICAL: Octagon box mounted on back of housing for wiring access on recessed housings. Each color comes with its own dedicated 0-10v 1% dimming driver. INTDIM option provides a rotary dimmer mounted inside the light fixture for field adjusting the illumination intensity for applications that cannot run new dimming wires. Consult factory for other options or requirement not shown.

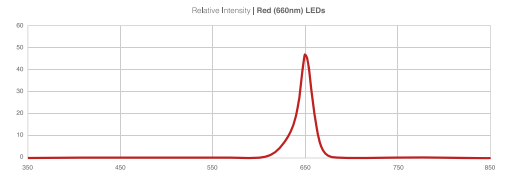
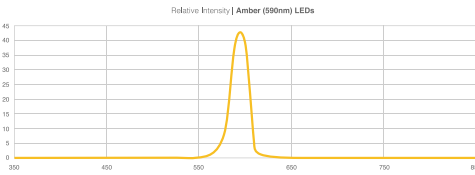
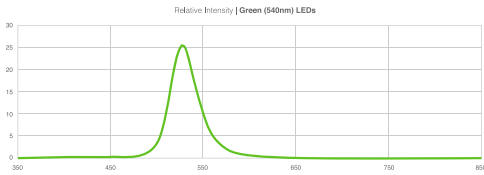
FINISH: White powder coat finish (1,000 hour salt spray test) for housing and 4B satin polish stainless steel finish for doorframe.

INSTALLATION: Four .312 dia. holes in rear of housing for mounting.

WARRANTY: Drivers and LEDs are covered by a 5 year warranty, the remaining fixture is covered by a 10 year warranty.

INTDIM OPTION: Rotary dimmer knob installed inside luminaire for field adjustability where 0-10v dimming wires cannot be run in the room. Only accessible inside the luminaire so the door frame must be removed. Dimming knob will only control the colored LED. Dimmer provides dim range of ~3% to 100% intensity.

RELATIVE INTENSITY



ENERGY DATA

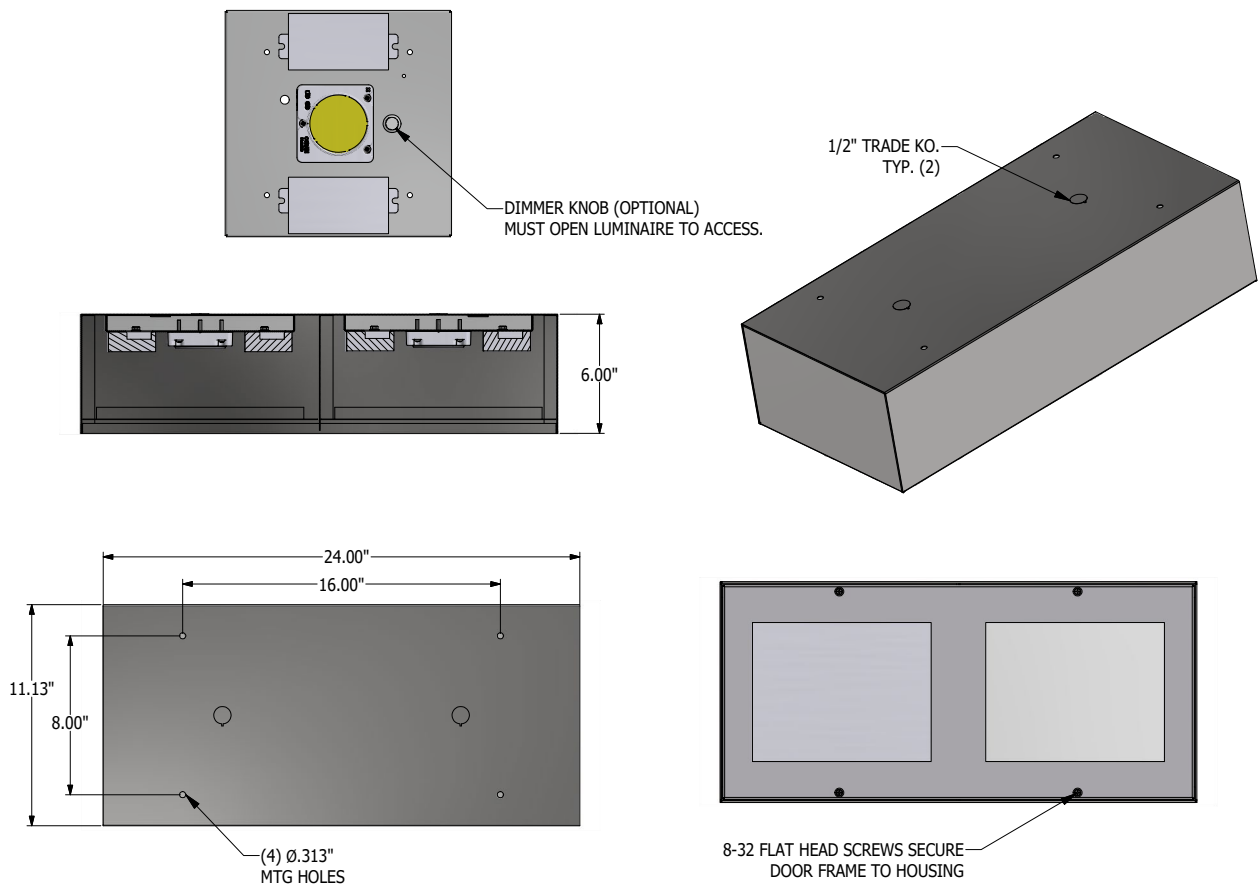
DARKROOM SAFELIGHT						
ENCLOSURE SIZE	LAMP TYPE	LUMEN OUTPUT	LAMP WATTAGE	WAVELENGTH	DIMMING	MAX AMBIENT TEMP (°C)
		PER COMPARTMENT				
1X2	RED	50.4	4.2	660 nm	0-10V 1%	40°C (104°F)
1X2	AMBER	83.7	4.4	590 nm	0-10V 1%	40°C (104°F)
1X2	GREEN	167.7	4.4	540 nm	0-10V 1%	40°C (104°F)
1X2	WHITE (80 CRI, 4000K)	1,378.0	20	N/A	0-10V 1%	40°C (104°F)

Darkroom Safelights: DKS-S-1X2-LED

1x2 Darkroom Safelights With Colored LED Light Sources

PRODUCT DRAWINGS

DKS-S-1X2



07-BA-L-1X2 SURF DARKROOM DWG DATE: 1/08/2021