

# Cleanroom TL Basket Troffers

1x4, 2x2, and 2x4 Sealed LED Basket Luminaires

- **Rated IP65**
- **Indirect even illumination for reduced glare and eyestrain**
- **Suitable for ISO 3-9 Cleanspaces**
- **Suitable for 209E class 100-100,000 Cleanspaces**
- **ETL listed for Wet Locations**
- **One piece Inset doorframe**
- **Robotically seam welded housing**
- **0-10v 1% dimming standard**
- **Recessed housing suitable for Tbar grid & hardlid installations**
- **Made in the USA by a Family Owned US Corporation**



DISCLAIMER: Although KURTZON has prepared the information contained in this document with all due care, KURTZON does not warrant or represent that the information is free from errors or omission. While the information is considered to be true and correct at the date of publication, changes in circumstances after the time of publication may impact on the accuracy of the information. The information may change without notice and KURTZON is not in any way liable for the accuracy of any information printed and stored or in any way interpreted or used.

## ORDERING GUIDE

Series	Installation Type	Material	Size	Source	CCT	Voltage	Options
<b>TL</b>							
Series	Installation Type	Material	Size	Source	CCT	Voltage	Options
TL	<b>RB:</b> Recessed Basket <i>(Suitable for Grid or Hardlid Installations)</i>	<b>1:</b> White 18Ga. CRS Hsg. & White 18Ga. CRS Door  <b>2:</b> White 18Ga. CRS Hsg. & Polished 304 SS Door	<b>1x4:</b> Nominal 1'x4' Housing  OR <b>2x2:</b> Nominal 2'x2' Housing  OR <b>2x4:</b> Nominal 2'x4' Housing	<b>2/LEDR</b>  <b>3/LEDR</b>  <b>2/LEDH</b>  <b>3/LEDH</b>	<b>83 CRI:</b> <b>830</b> = 3000K CCT <b>835</b> = 3500K CCT <b>840</b> = 4000K CCT <b>850</b> = 5000K CCT  <b>90+ CRI:</b> <b>935</b> = 3500K CCT <b>940</b> = 4000K CCT	<b>120V</b>  <b>277V</b>  <b>UNV</b>	<b>FC:</b> Fuse & Holder (One Supplied Per Circuit) <b>2/ED:</b> Two Drivers (Two Circuits) <b>EM10:</b> 10W Integral LED EM (Specify Input Voltage) <b>SW:</b> Wet Location Hub Supplied (not installed) <b>PxL:</b> Programmed to User Specified Lumen Value.∞∞ <b>PxW:</b> Programmed to User Specified Wattage Value.∞∞ <b>10KV:</b> 10KV Parallel Surge Protection (One Supplied Per Circuit) <b>WHIP:</b> Must Specify Length and Wire Qty <b>WHT:</b> White Finished SS Door <b>TPWHT:</b> White Painted Torx Tamperproof Fasteners

# Cleanroom TL Basket Troffers

1x4, 2x2, and 2x4 Sealed LED Basket Luminaires

## SPECIFICATIONS

**HOUSING:** One piece, hole free, robotically seam welded housing has flattened, knockouts for a superior seal. Housings are available in 18Ga. Cold Rolled Steel with White Powdercoat finish.

**DOOR FRAME:** One piece inset door frame with seam welds regressing into housing to allowing the NSF approved microcellular gasket to seal to the housing. Door frame is hinged by aircraft cables and secures to housing with captive stainless steel pan head screws. Available in 20Ga 304 Polished SS or 18Ga 1008 Powder coated CRS.

**GASKETS:** Closed cell microcellular extruded KleanLock SealPro gasket with vulcanized corners making a one-piece oil and solvent resistant gasket system.

**LENS:** Provided with high durability 1/8" clear virgin acrylic. Factory sealed to door frame with Silicone. Other options available.

**LEDS:** Commercially available in a wide variety of Color Temperature (CCT), FLUX, and CRI. Highly efficient and consistent color maintained to 3 SDMC for color critical applications. B50/L70 and compliant with Zhaga recognized hole patterns. Consult factory for LED options or configurations not listed below.

**DRIVERS:** Standard Universal Voltage Class 2 drivers are 0-10v Dimmable to 1% for most LED configurations. They come with at least 2.5Kv surge protection, have less than 10% THD at max load, Ballast Factor Greater than .95 and are programmable to match specific lumen or wattage requirements. Drivers with higher input voltage ratings are available, consult factory for driver specifications.

**REFLECTOR:** Specially designed perforated reflector for indirect even fixture illumination.

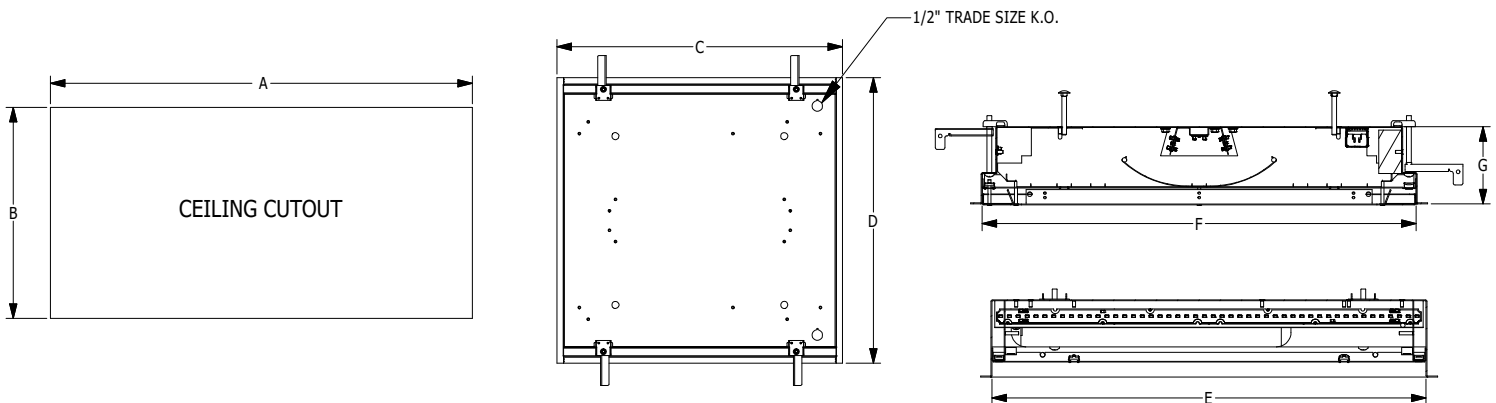
**INSTALL RECESSED:** One fixture suitable for Grid and Flanged installation. Accommodates 1" T-Bar Grid (Consult factory for 2" T-Bar Grid compatibility). Four adjustable toggle arms with holes for seismic support wire attachment. Supply entry via 1/2" trade size flattened knockouts. Yoke Mount Optional.

**FINISH:** Gloss white high reflectance 1000 hr. salt spray polyester powder coat finish standard for all housings.

**LISTINGS:** IP65 rated for dust and water ingress. Suitable for 1700 PSI high pressure hosedowns. ETL listed per UL\_1598 for wet locations. Chicago Plenum Rated. Certified ISO-14644-1 for class 3 through class 9 cleanspaces. Certified Fed Std 209E for Class 100 through Class 100,000 cleanspaces. NSF2 Listed for Non-Food Zones. Drivers and LEDs are covered by a 5 year warranty, the remaining fixture is covered by a 10 year warranty.

## PRODUCT DRAWINGS

RECESSED BASKET REFERENCE DIMENSIONS							
SIZE	A	B	C	D	E	F	G
1X4	47.00"	11.00"	47.63"	11.69"	46.50"	10.50"	4.00"
2X2	23.00"	23.00"	23.69"	23.69"	22.50"	22.50"	4.00"
2X4	47.00"	23.00"	47.63"	23.69"	46.50"	22.50"	4.00"



# Cleanroom TL Basket Troffers

1x4, 2x2, and 2x4 Sealed LED Basket Luminaires

## ENERGY DATA

INDIRECT INSET-FGRS-LED TROFFER (APPROX <sup>1</sup> LUMENS DELIVERED)										
ENCLOSURE SIZE	LIGHT PACKAGE	80 CRI (3000K - 5000K)				90 CRI (3500K, 4000K)				STANDARD DIMMING
		LUMENS <sup>1</sup>	WATTS <sup>2</sup>	EFFICACY <sup>3</sup>	MAX AMB TEMP	LUMENS <sup>1</sup>	WATTS <sup>2</sup>	EFFICACY <sup>3</sup>	MAX AMB TEMP <sup>4</sup>	
1X4	2LEDR	PENDING	PENDING	PENDING	40°C (104°F)	PENDING	PENDING	PENDING	40°C (104°F)	0-10V 1%
1X4	3LEDR	PENDING	PENDING	PENDING	40°C (104°F)	PENDING	PENDING	PENDING	40°C (104°F)	0-10V 1%
1X4	2LEDH	PENDING	PENDING	PENDING	40°C (104°F)	PENDING	PENDING	PENDING	40°C (104°F)	0-10V 1%
1X4	3LEDH	PENDING	PENDING	PENDING	40°C (104°F)	PENDING	PENDING	PENDING	40°C (104°F)	0-10V 1%
2X2	2LEDR	1,987	30.5	65.1	40°C (104°F)	1,906	30.5	62.5	40°C (104°F)	0-10V 1%
2X2	3LEDR	2,940	45.8	64.2	40°C (104°F)	2,820	45.8	61.6	40°C (104°F)	0-10V 1%
2X2	2LEDH	2,865	43.3	66.2	40°C (104°F)	2,753	43.3	63.6	40°C (104°F)	0-10V 1%
2X2	3LEDH	4,357	64.8	67.2	40°C (104°F)	4,186	64.8	64.6	40°C (104°F)	0-10V 1%
2X4	2LEDR	4,310	61.0	70.7	40°C (104°F)	4,134	61.0	67.8	40°C (104°F)	0-10V 1%
2X4	3LEDR	6,342	91.4	69.4	40°C (104°F)	6,084	91.4	66.6	40°C (104°F)	0-10V 1%
2X4	2LEDH	6,188	86.4	71.6	40°C (104°F)	5,946	86.4	68.8	40°C (104°F)	0-10V 1%
2X4	3LEDH	9,459	129.6	73.0	40°C (104°F)	9,089	129.6	70.1	40°C (104°F)	0-10V 1%

<sup>1</sup> DELIVERED LUMEN DATA IS ADJUSTED FROM TESTED DATA WITH .125" LENS

<sup>2</sup> WATTAGE IS MEASURED WITH 4000K SELECTION @ 120vAC AND Tambient = 25C. WATTAGES MAY VARY WITH ALTERNATE CONFIGURATIONS

<sup>3</sup> EFFICACY CALCULATED USING 4000K CCT DATA.

<sup>4</sup> MAX AMBIENT TEMP RATING, NON-IC INSTALLATON. TEMP RATING MAY VARY WITH SPECIFIED DRIVERS OR ANY NON STANDARD SELECTION