

Cleanroom TL-RB Basket Troffers

1x4, 2x2, and 2x4 Sealed LED Recessed Basket Luminaires

- **Rated IP65**
- **Indirect even illumination for reduced glare and eyestrain**
- **Suitable for ISO 3-9 Cleanspaces**
- **Suitable for 209E class 100-100,000 Cleanspaces**
- **ETL listed for Wet Locations**
- **One piece Inset doorframe**
- **Robotically seam welded housing**
- **0-10v 1% dimming standard**
- **Recessed housing suitable for Tbar grid & hardlid installations**
- **BAA Compliant & Made in the USA by a Family Owned US Corporation**



DISCLAIMER: Although KURTZON has prepared the information contained in this document with all due care, KURTZON does not warrant or represent that the information is free from errors or omission. While the information is considered to be true and correct at the date of publication, changes in circumstances after the time of publication may impact on the accuracy of the information. The information may change without notice and KURTZON is not in any way liable for the accuracy of any information printed and stored or in any way interpreted or used.

ORDERING GUIDE

Series	Material	Size	Row Qty.	LED Type	CCT/CRI	Voltage	Optics	Options	
TL-RB									
TL-RB	1 White 18Ga. CRS Hsg. & White 18Ga. CRS Door	1x4 1' x 4' Housing	2	LEDR	83 CRI:	120V	125A 0.125" Clear Flat Impact Resistant Acrylic	SW Wet Location Hub Supplied (not installed)	
				LEDH	830 3000K	277V	125P 0.125" Clear Flat Impact Resistant Polycarbonate	PxL * Programmed to User Specified Lumen Value.	
			3	835 3500K	UNV	187P 0.187" Clear Flat Impact Resistant Polycarbonate	PxW * Programmed to User Specified Wattage Value.		
		840 4000K		250P 0.250" Clear Flat Impact Resistant Polycarbonate		10KV 10KV Parallel Surge Protection (One Supplied Per Circuit)			
		850 5000K		WHIP Must Specify Length and Wire Qty					
		2 White 18Ga. CRS Hsg. & Polished 304 SS Door	2x2 2' x 2' Housing	3					FC Fuse & Holder (One Supplied Per Circuit)
	OR								EM10 10W Integral LED EM (Specify Input Voltage)
	2x4 2' x 4' Housing								TPWHT : White Painted Torx Tamperproof Fasteners
									WHT White Finished Door
									AMW Anti-Microbial White Powdercoat
									2/ED Two Drivers/Two Circuits
								EM20 20W Remote LED EM (Specify Input Voltage)	
							GTD Generator Transfer Device		
							GG 1/8" Thick Grid Gasket (Provided Loose)		

Ordering Notes, If Applicable

NOTE: Additionally available in 95+ CRI with Seoul Sun-Like LEDs. Consult factory for more information.

NOTE: 125A option is standard and will be provided when no other option is selected

Note*: Specify Value in Ordering Notes

Cleanroom TL-RB Basket Troffers

1x4, 2x2, and 2x4 Sealed LED Recessed Basket Luminaires

SPECIFICATIONS

HOUSING: One piece, hole free, robotically seam welded housing has flattened, knockouts for a superior seal. Housings are available in 18Ga. Cold Rolled Steel with White Powdercoat finish.

DOOR FRAME: One piece inset door frame with seam welds regressing into housing to allowing the NSF approved microcellular gasket to seal to the housing. Door frame is hinged by aircraft cables and secures to housing with captive stainless steel pan head screws. Available in 20Ga 304 Polished SS or 18Ga 1008 Powder coated CRS.

GASKETS: Closed cell microcellular extruded KleanLock SealPro gasket with vulcanized corners making a one-piece oil and solvent resistant gasket system. GG option provides a loose 1/8" thick adhesive backed gasket intended to adhere to the top face of a suspended grid ceiling for grid profiles that do not already have gasket on them.

OPTICS: Standard .125" Acrylic Lens is provided when no other options are selected. All optics are sealed to the door with NSF listed RTV silicone sealant. Other optics are available, consult factory for more information or options not listed.

LEDS: Commercially available in a wide variety of Color Temperature (CCT), FLUX, and CRI. Highly efficient and consistent color maintained to 3 SDMC for color critical applications. B50/L70 and compliant with Zhaga recognized hole patterns. Consult factory for LED options or configurations not listed below.

DRIVERS: Standard Universal Voltage Class 2 drivers are 0-10v Dimmable to 1% and rated -20C (-4F). They come with at least 2.5Kv surge protection, have less than 10% THD at max load, Ballast Factor Greater than .95 and are programmable to match specific lumen or wattage requirements. Drivers with higher input voltage ratings are available, consult factory for driver specifications.

REFLECTOR: Specially designed perforated reflector for indirect even fixture illumination.

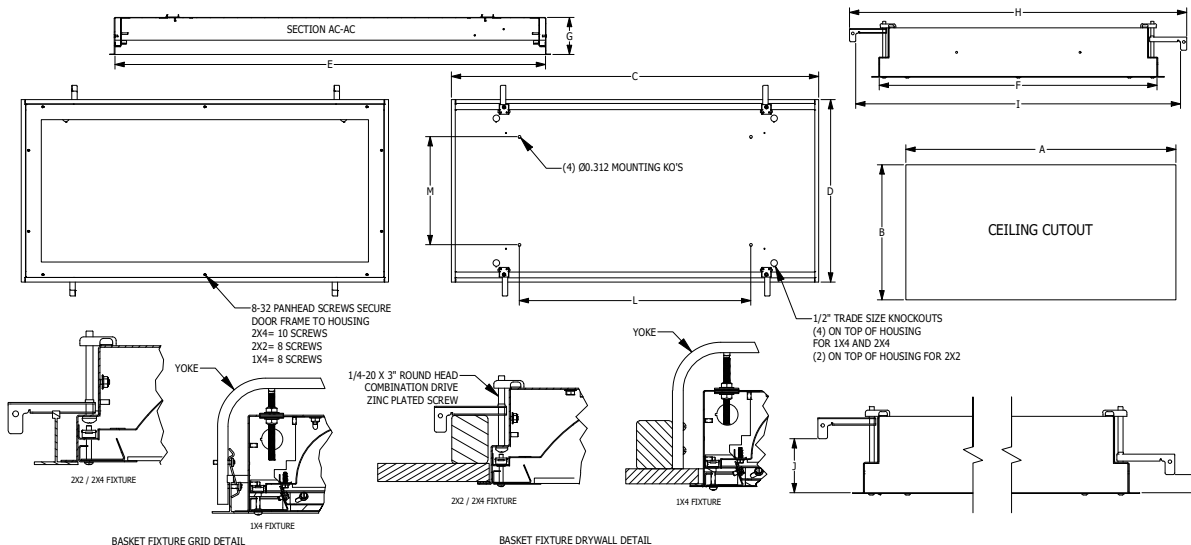
INSTALL RECESSED: One fixture suitable for Grid and Flanged installation. The Recessed 2x2 & 2x4 versions install by use of four adjustable swing out toggle arms with holes for seismic support wire attachment. The 1x4 version installs by use of factory provided yoke hanger brackets along with mounting hardware. Supply entry via 1/2" trade size flattened knockouts on the back of the housing. Suitable for recessed Non-IC Installation.

FINISH: Stainless Steel Door frames are Satin polished unless WHT or AMW Options are selected. All other materials are provided with glass high reflectance white polyester powdercoat with 1000hr salt spray test per ASTM B117. AMW option provides a white-microbial polyester powdercoat to all exposed surfaces.

LISTINGS: IP65 rated for dust and water ingress. Suitable for 1700 PSI high pressure hosesdowns. ETL listed per UL_1598 for wet locations. Chicago Plenum Rated. Certified ISO-14644-1 for class 3 through class 9 cleanspaces. Certified Fed Std 209E for Class 100 through Class 100,000 cleanspaces. NSF2 Listed for Non-Food & Splash Zones. Drivers and LEDs are covered by a 5 year warranty, the remaining fixture is covered by a 10 year warranty. This product is Buy American Act (B.A.A.) compliant.

PRODUCT DRAWINGS

RECESSED BASKET REFERENCE DIMENSIONS													
SIZE	A	B	C	D	E	F	G	H	I	J	K	L	M
1X4	47.00"	11.00"	47.63"	11.69"	46.50"	10.50"	4.00"	13.12"	12.25"	N/A	N/A	36.00"	8.62"
2X2	23.00"	23.00"	23.69"	23.69"	22.50"	22.50"	4.00"	27.31"	26.31"	2.81"	0.89"	14.00"	14.00"
2X4	47.00"	23.00"	47.63"	23.69"	46.50"	22.50"	4.00"	27.31"	26.31"	2.81"	0.89"	30.00"	14.00"



01-BA-L- INSET REC BASKET DWG. DATE: 05/28/2024

Cleanroom TL-RB Basket Troffers

1x4, 2x2, and 2x4 Sealed LED Recessed Basket Luminaires

ENERGY DATA

INSET SURFACE & RECESSED INDIRECT LED TROFFER (APPROX ¹ LUMENS DELIVERED)										
ENCLOSURE SIZE	LIGHT PACKAGE	80 CRI (3000K - 5000K)				90 CRI (3500K, 4000K)				STANDARD DIMMING
		LUMENS ¹	WATTS ²	EFFICACY ³	MAX AMB TEMP	LUMENS ¹	WATTS ²	EFFICACY ³	MAX AMB TEMP ⁴	
1X4	2LEDR	4,113	56	74	40°C (104°F)	3,942	56	71	40°C (104°F)	0-10V 1%
1X4	3LEDR	5,723	83	69	40°C (104°F)	5,486	83	66	40°C (104°F)	0-10V 1%
1X4	2LEDH	6,321	83	76	40°C (104°F)	6,069	83	73	40°C (104°F)	0-10V 1%
1X4	3LEDH	8,797	126	70	35°C (95°F)	8,446	126	67	35°C (95°F)	0-10V 1%
2X2	2LEDR	2,100	28.9	73	40°C (104°F)	2,012	28.7	70	40°C (104°F)	0-10V 1%
2X2	3LEDR	3,070	42.3	73	40°C (104°F)	2,943	41.9	70	40°C (104°F)	0-10V 1%
2X2	2LEDH	3,227	42.2	76	40°C (104°F)	3,098	42.1	74	40°C (104°F)	0-10V 1%
2X2	3LEDH	4,774	62.6	76	40°C (104°F)	4,584	62.5	73	40°C (104°F)	0-10V 1%
2X4	2LEDR	4,525	55.7	81	40°C (104°F)	4,337	55.3	78	40°C (104°F)	0-10V 1%
2X4	3LEDR	6,442	83.4	77	40°C (104°F)	6,175	82.8	75	40°C (104°F)	0-10V 1%
2X4	2LEDH	6,955	83.3	83	40°C (104°F)	6,678	83.1	80	40°C (104°F)	0-10V 1%
2X4	3LEDH	10,322	125.5	82	35°C (95°F)	9,910	125.2	79	35°C (95°F)	0-10V 1%

¹ DELIVERED LUMEN DATA IS ADJUSTED FROM TESTED DATA WITH .125" ACRYLIC LENS

² WATTAGE IS MEASURED WITH 4000K SELECTION @ 120VAC AND Tambient = 25C. WATTAGES MAY VARY WITH ALTERNATE CONFIGURATIONS

³ EFFICACY CALCULATED USING 4000K CCT DATA.

⁴ MAX AMBIENT TEMP RATING, NON-IC INSTALLATION. TEMP RATING MAY VARY WITH SPECIFIED DRIVERS OR ANY NON STANDARD SELECTION