

Cleanroom KL Basket Troffers

1x4, 2x2, and 2x4 Sealed LED Basket Luminaires

- **Rated IP66**
- **Indirect even illumination reduces glare and eyestrain**
- **Suitable for ISO 3-9 Cleanspaces**
- **Suitable for 209E class 1-100,000 cleanspaces**
- **ETL listed for Wet Locations**
- **One Piece overlapping door frame**
- **Robotically seam welded housing**
- **0-10v dimming to 1% standard**
- **Recessed housing suitable for Tbar Grid & Hardlid Installations**
- **Made in the USA by a Family Owned US Corporation**



DISCLAIMER: Although KURTZON has prepared the information contained in this document with all due care, KURTZON does not warrant or represent that the information is free from errors or omission. While the information is considered to be true and correct at the date of publication, changes in circumstances after the time of publication may impact on the accuracy of the information. The information may change without notice and KURTZON is not in any way liable for the accuracy of any information printed and stored or in any way interpreted or used.

ORDERING GUIDE

Series	Installation Type	Material	Size	Source	CCT	Voltage	Options
KL							
KL	RB: Recessed Basket <i>(Suitable for Grid or Hardlid Installations)</i>	1: White 18Ga. CRS Hsg. & White 18Ga. CRS Door 2: White 18Ga. CRS Hsg. & Polished 304 SS Door	1x4: Nominal 1'x4' Housing OR 2x2: Nominal 2'x2' Housing OR 2x4: Nominal 2'x4' Housing	2/LEDR 3/LEDR 2/LEDH 3/LEDH	83 CRI: 830 = 3000K CCT 835 = 3500K CCT 840 = 4000K CCT 850 = 5000K CCT 90+ CRI: 935 = 3500K CCT 940 = 4000K CCT	120V 277V UNV	FC: Fuse & Holder (One Supplied Per Circuit) 2/ED: Two Drivers (Two Circuits) EM10: 10W Integral LED EM (Specify Input Voltage) SW: Wet Location Hub Supplied (not installed) PxL: Programmed to User Specified Lumen Value.∞∞ PxW: Programmed to User Specified Wattage Value.∞∞ 10KV: 10KV Parallel Surge Protection (One Supplied Per Circuit) WHIP: Must Specify Length and Wire Qty WHT: White Finished SS Door TPWHT: White Painted Torx Tamperproof Fasteners

Cleanroom KL Basket Troffers

1x4, 2x2, and 2x4 Sealed LED Basket Luminaires

SPECIFICATIONS

HOUSING: One piece, hole free, robotically seam welded housing has flattened knockouts for a superior seal. Housings are available in 18Ga. Cold Rolled Steel with White Powdercoat finish.

DOOR FRAME: One piece door frame with welded corners overlaps the fixture allowing the NSF approved microcellular gasket to seal to the mounting surface. Door frame is hinged by aircraft cables and is supplied with captive stainless steel flush head screws to allow easy wiping of the surface. Available in 20Ga 304 Polished SS or 18Ga Powder coated CRS.

GASKETS: Closed cell microcellular extruded KleanLock SealPro gasket with vulcanized corners making a one-piece oil and solvent resistant gasket system.

LENS: Provided with high durability 1/8" clear virgin acrylic. Factory sealed to door frame with Silicone. Other options available.

LEDS: Commercially available in a wide variety of Color Temperature (CCT), FLUX, and CRI. Highly efficient and consistent color maintained to 3 SDMC for color critical applications. B50/L70 and compliant with Zhaga recognized hole patterns. Consult factory for LED options or configurations not listed below.

DRIVERS: Standard Universal Voltage Class 2 drivers are 0-10v Dimmable to 1% for most LED configurations. They come with at least 2.5Kv surge protection, have less than 10% THD at max load, Ballast Factor Greater than .95 and are programmable to match specific lumen or wattage requirements. Drivers with higher input voltage ratings are available, consult factory for driver specifications.

REFLECTOR: Specially designed perforated reflector for indirect even fixture illumination.

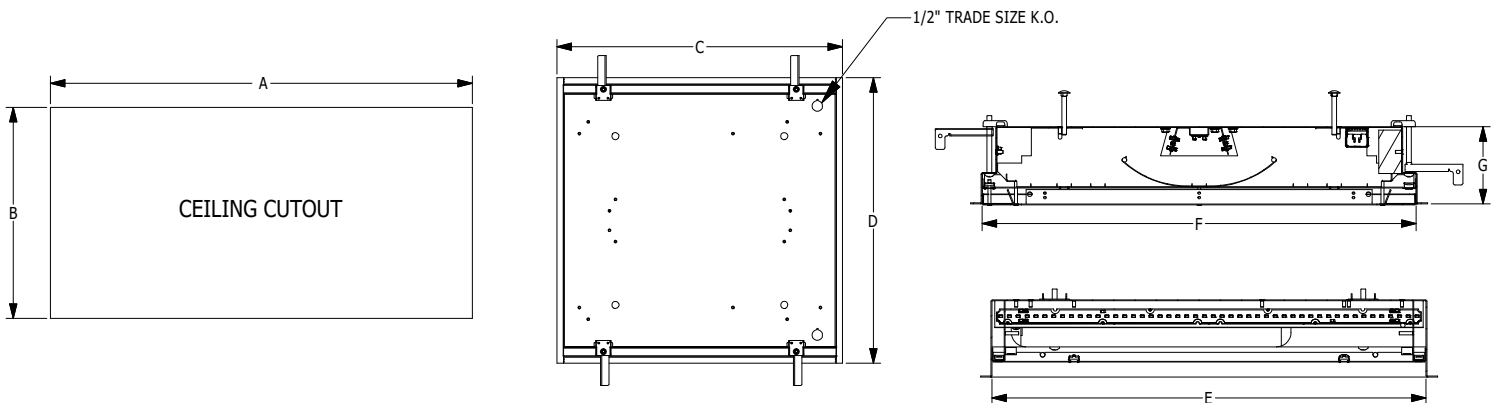
INSTALL RECESSED: One fixture suitable for Grid and Flanged installation. Accommodates 1" T-Bar Grid (Consult factory for 2" T-Bar Grid compatibility). Four adjustable toggle arms with holes for seismic support wire attachment. Supply entry via 1/2" trade size flattened knockouts. Yoke Mount Optional.

FINISH: Gloss white high reflectance 1000 hr. salt spray polyester powder coat finish standard for all housings.

LISTINGS: IP66 rated for dust and water ingress. Suitable for 1700 PSI high pressure hosedowns. ETL listed per UL_1598 for wet locations. Chicago Plenum Rated. Certified ISO-14644-1 for class 3 through class 9 cleanspaces. Certified Fed Std 209E for Class 1 through Class 100,000 cleanspaces. NSF2 Listed for Non-Food Zones. Drivers and LEDs are covered by a 5 year warranty, the remaining fixture is covered by a 10 year warranty.

PRODUCT DRAWINGS

RECESSED BASKET REFERENCE DIMENSIONS							
SIZE	A	B	C	D	E	F	G
1X4	47.00"	11.00"	47.63"	11.69"	46.50"	10.50"	4.00"
2X2	23.00"	23.00"	23.69"	23.69"	22.50"	22.50"	4.00"
2X4	47.00"	23.00"	47.63"	23.69"	46.50"	22.50"	4.00"



Cleanroom KL Basket Troffers

1x4, 2x2, and 2x4 Sealed LED Basket Luminaires

ENERGY DATA

INDIRECT OVERLAP-FGRS-LED TROFFER (APPROX ¹ LUMENS DELIVERED)										
ENCLOSURE SIZE	LIGHT PACKAGE	80 CRI (3000K - 5000K)				90 CRI (3500K, 4000K)				STANDARD DIMMING
		LUMENS ¹	WATTS ²	EFFICACY ³	MAX AMB TEMP	LUMENS ¹	WATTS ²	EFFICACY ³	MAX AMB TEMP ⁴	
1X4	2LEDR	PENDING	PENDING	PENDING	40°C (104°F)	PENDING	PENDING	PENDING	40°C (104°F)	0-10V 1%
1X4	3LEDR	PENDING	PENDING	PENDING	40°C (104°F)	PENDING	PENDING	PENDING	40°C (104°F)	0-10V 1%
1X4	2LEDH	PENDING	PENDING	PENDING	40°C (104°F)	PENDING	PENDING	PENDING	40°C (104°F)	0-10V 1%
1X4	3LEDH	PENDING	PENDING	PENDING	40°C (104°F)	PENDING	PENDING	PENDING	40°C (104°F)	0-10V 1%
2X2	2LEDR	1,938	30.5	63.5	40°C (104°F)	1,859	30.5	61.0	40°C (104°F)	0-10V 1%
2X2	3LEDR	2,872	45.8	62.7	40°C (104°F)	2,755	45.8	60.2	40°C (104°F)	0-10V 1%
2X2	2LEDH	2,924	43.3	67.5	40°C (104°F)	2,810	43.3	64.9	40°C (104°F)	0-10V 1%
2X2	3LEDH	4,445	64.8	68.6	40°C (104°F)	4,271	64.8	65.9	40°C (104°F)	0-10V 1%
2X4	2LEDR	4,156	61.0	68.1	40°C (104°F)	3,986	61.0	65.3	40°C (104°F)	0-10V 1%
2X4	3LEDR	6,125	91.4	67.0	40°C (104°F)	5,875	91.4	64.3	40°C (104°F)	0-10V 1%
2X4	2LEDH	6,411	86.4	74.2	40°C (104°F)	6,160	86.4	71.3	40°C (104°F)	0-10V 1%
2X4	3LEDH	9,793	129.6	75.6	40°C (104°F)	9,410	129.6	72.6	40°C (104°F)	0-10V 1%

¹ DELIVERED LUMEN DATA IS ADJUSTED FROM TESTED DATA WITH .125" LENS

² WATTAGE IS MEASURED WITH 4000K SELECTION @ 120vAC AND Tambient = 25C. WATTAGES MAY VARY WITH ALTERNATE CONFIGURATIONS

³ EFFICACY CALCULATED USING 4000K CCT DATA.

⁴ MAX AMBIENT TEMP RATING, NON-IC INSTALLATION. TEMP RATING MAY VARY WITH SPECIFIED DRIVERS OR ANY NON STANDARD SELECTION