

Cleanroom KL Series Amber & White Downlights

Sealed 6" Aperture Recessed Amber/White LED Downlight for Cleanroom Installations.

- **IP65 Rated**
- **Suitable for ISO 5-9 Cleanspaces**
- **Suitable for 209E Class 100-100,000 Cleanspaces**
- **ETL Listed for Wet Locations**
- **White & Amber Separately controlled circuits**
- **0-10V 1% Dimming Standard For Each Color**
- **B.A.A. Compliant & Made in the USA by a Family Owned US Corporation**



DISCLAIMER: Although KURTZON has prepared the information contained in this document with all due care, KURTZON does not warrant or represent that the information is free from errors or omission. Whilst the information is considered to be true and correct at the date of publication, changes in circumstances after the time of publication may impact on the accuracy of the information. The information may change without notice and KURTZON is not in any way liable for the accuracy of any information printed and stored or in any way interpreted or used.

ORDERING GUIDE

Series	Material	Size	LED Type	Voltage	Baffle	Door (Trim)	Optics	Options
KL-SBD	4	8		UNV				

Series	Material	Size	Light Source		Voltage	Baffle	Door (Trim) Finish	Optics	Options
			LED Type	LED Type					
KL-SBD	4 Non-Magnetic	8 Housing	DLMY-590	Amber Only	UNV: 120V-277V	WB: White Grooved Baffle	WT: White Painted Trim	LEX: 0.125" Clear Flat Polycarbonate Lens	FC Fuse & Holder (One Supplied Per Circuit)
			DLMY-590-DLM15-840	2 Circuit Amber & White		BB: Black Grooved Baffle	ST: Polished Stainless Trim	FPL: 0.125" Frosted Flat Polycarbonate Lens	EM7 Mount 7W Battery Pack (Specify Input Voltage)
						NB: Nickel Baffle		FAL: 0.125" Frosted Flat Acrylic Lens	AMBPxL* Amber Programmed to User Specified Lumen Value
						SR: Specular Reflector		GH85: 0.125" Flat Diffused Polycarbonate With Glare Suppression Distribution	WHTPxL* White Programmed to User Specified Lumen Value
								250CFP: 0.250" Clear Flat Polycarbonate Lens	10KV 10KV Parallel Surge Protection (One Supplied Per Circuit)
									LDE1 Lutron Hi-Lume 1% Ecosystem LED Driver SOFTB

NOTE: LEX option is standard and will be provided when no other option is selected

Note*: Specify Value in Ordering Notes Below

Ordering Notes, If Applicable

Cleanroom KL Series Amber & White Downlights

Sealed 6" Aperture Recessed Amber/White LED Downlight for Cleanroom Installations.

SPECIFICATIONS

HOUSING: Stainless steel body and spun aluminum housing and plaster frame.

DOOR FRAME: Aluminum or stainless steel formed with continuous lens hold-down system and screwless entry. Cleanroom style construction with a smooth cleanable surface with no crevices.

GASKETS: One piece gasket located at interface of door to housing silicone seals the door to the lens.

REFLECTOR: Supplied with a wide variety of baffles and reflectors. See options for availability.

OPTICS: Clear non-prismatic nominal 1/8" thick polycarbonate lens is standard and will be provided when no options are selected. Other options include frosted or glare suppression film overlays. All lenses are mechanically secured and silicone sealed to door frame.

ELECTRICAL: The LED is an amber and white LED module with two channel inputs. Amber LEDs are 590nm narrow spectrum high quality chip. White LEDs are 80+ CRI 4000K CCT and deliver about 1500 lumens. Each color is provided with its own driver to control the light when ordered as such and can be switched independently of each other. Standard drivers are class 2 0-10v dimming drivers that dim to 1%. Other control options are available. Drivers are also factory programmable, to specify a lower lumen output of red use the AMBPxL option and replace the "x" with the desired lumen output. To specify a lower light output of white use the WHTPxL option and replace the "x" with the desired lumen output.

INSTALLATION: Four adjustable L-brackets allow for seismic support and secure attachment to metal T-Bars, joists or structural metal framing. Sealed 1/2 inch trade size knockouts for wiring. Suitable for 1, 1.5 and 2 inch T-bar widths as well as drywall or plaster ceilings. Suitable for NON-IC installation.

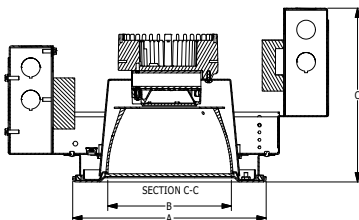
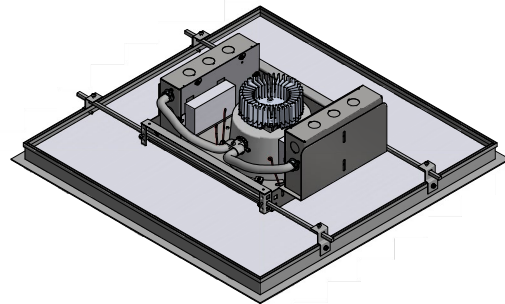
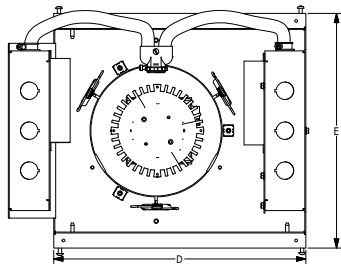
FINISH: White polyester powder coat on doorframe surface. Stainless steel trims are satin polished.

LISTINGS: ETL Listed for Wet Locations. Suitable for non-IC installation. IP-65 dust and water jet resistance. IBEW Union Label. Certified ISO-14644-1 classes 5 to 9 Fed. Std. 209E Class 100.

5/10 YEAR WARRANTY: The driver(s), LED's and EM packs are covered by a five (5) year warranty. The remaining fixture is covered by a ten (10) year warranty. See warranty statement at kurtzon.com for complete details. This product is Buy American Act (B.A.A.) compliant.

PRODUCT DRAWINGS

DOWNLIGHT REFERENCE DIMENSIONS						
MODEL	DIM A	DIM B	DIM C	DIM D	DIM E	DIM F
SBD/IBD	9.00"	5.75"	8.00"	12.65"	11.75"	26.00"



12-AB-L-DOWNLIGHT 2CH: 4/07/2020

Cleanroom KL Series Amber & White Downlights

Sealed 6" Aperture Recessed Amber/White LED Downlight for Cleanroom Installations.

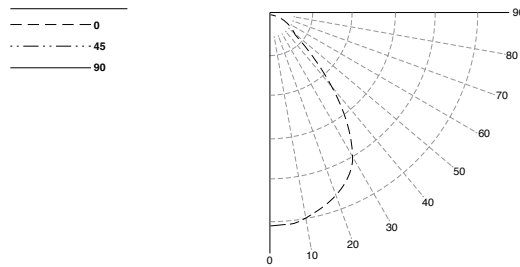
ENERGY DATA

SEALED LED DOWNLIGHT - 590nm AMBER						
LIGHT PACKAGE	AMBER (590nm)			WHITE (80+ CRI; 4000k)		
	DELIVERED LUMENS	WATTAGE	EFFICACY	DELIVERED LUMENS	WATTAGE	EFFICACY
DLMY-590	338	10.8	31.4	NA		
DLMY-590-DLM15-840	260	8.3	31.4	1,600	18	88

- 1: DELIVERED LUMEN DATA IS EXTRAPOLATED FROM MEASURED DATA @25C WITH NO EXTRA OPTIONS.
- 2: WATTAGE IS MEASURED @ 120vAC AND Tambient = 25C. WATTAGES MAY VARY AND WHEN OPTIONS ARE SELECTED
- 3: MAX TEMP RATING IS WITH NO OTHER OPTIONS SELECTED.(NON-IC)

PHOTOMETRICS

CLEAR FLAT LENS



Relative Intensity | Amber 590 LEDs

