

Cleanroom KL-RB Basket Troffers

1x4, 2x2, and 2x4 Sealed LED Recessed Basket Luminaires

- **Rated IP66**
- **Indirect even illumination reduces glare and eyestrain**
- **Suitable for ISO 3-9 Cleanspaces**
- **Suitable for 209E class 1-100,000 cleanspaces**
- **ETL listed for Wet Locations**
- **One Piece overlapping door frame**
- **Robotically seam welded housing**
- **0-10v dimming to 1% standard**
- **Recessed housing suitable for Tbar Grid & Hardlid Installations**
- **BAA Compliant & Made in the USA by a Family Owned US Corporation**



DISCLAIMER: Although KURTZON has prepared the information contained in this document with all due care, KURTZON does not warrant or represent that the information is free from errors or omission. While the information is considered to be true and correct at the date of publication, changes in circumstances after the time of publication may impact on the accuracy of the information. The information may change without notice and KURTZON is not in any way liable for the accuracy of any information printed and stored or in any way interpreted or used.

ORDERING GUIDE

| Series | Material | Size | Row Qty. | LED Type | CCT/CRI | Voltage | Optics | Options |
|--------------|---|---------------------|----------|----------|-----------|---------|---|---|
| KL-RB | | | | | | | | |
| KL-RB | 1 White 18Ga. CRS Hsg. & White 18Ga. CRS Door | 1x4 1' x 4' Housing | 2 | LEDR | 83 CRI: | 120V | 125A 0.125" Clear Flat Impact Resistant Acrylic | SW Wet Location Hub Supplied (not installed) |
| | | | | LEDH | 830 3000K | 277V | 125P 0.125" Clear Flat Impact Resistant Polycarbonate | PxL * Programmed to User Specified Lumen Value. |
| | 2 White 18Ga. CRS Hsg. & Polished 304 SS Door | 2x2 2' x 2' Housing | 3 | | 835 3500K | UNV | 187P 0.187" Clear Flat Impact Resistant Polycarbonate | PxW * Programmed to User Specified Wattage Value. |
| | | | | | 840 4000K | | | 250P 0.250" Clear Flat Impact Resistant Polycarbonate |
| | | OR | | | 850 5000K | | | WHIP Must Specify Length and Wire Qty |
| | | 2x4 2' x 4' Housing | | | 90+ CRI: | | | FC Fuse & Holder (One Supplied Per Circuit) |
| | | | | | 935 3500K | | | EM10 10W Integral LED EM (Specify Input Voltage) |
| | | | | | 940 4000K | | | GG 1/8" Thick Grid Gasket (Provided Loose) |
| | | | | | | | | TPWHT White Painted Torx Tamperproof Fasteners |
| | | | | | | | | WHT White Finished Door |
| | | | | | | | AMW Anti-Microbial White Powdercoat | |
| | | | | | | | 2/ED Two Drivers/Two Circuits | |

NOTE: Additionally available in 95+ CRI with Seoul Sun-Like LEDs. Consult factory for more information.

NOTE: 125A option is standard and will be provided when no other option is selected.

Note*: Specify Value in Ordering Notes

Ordering Notes, If Applicable

Cleanroom KL-RB Basket Troffers

1x4, 2x2, and 2x4 Sealed LED Recessed Basket Luminaires

SPECIFICATIONS

HOUSING: One piece, hole free, robotically seam welded housing has flattened knockouts for a superior seal. Housings are available in 18Ga. Cold Rolled Steel with White Powdercoat finish.

DOOR FRAME: One piece door frame with welded corners overlaps the fixture allowing the NSF approved microcellular gasket to seal to the mounting surface. Door frame is hinged by aircraft cables and is supplied with captive stainless steel flush head screws to allow easy wiping of the surface. Available in 20Ga 304 Polished SS or 18Ga Powder coated CRS.

GASKETS: Closed cell microcellular extruded KleanLock SealPro gasket with vulcanized corners making a one-piece oil and solvent resistant gasket system. GG option provides a loose 1/8" thick adhesive backed gasket intended to adhere to the top face of a suspended grid ceiling for grid profiles that do not already have gasket on them.

OPTICS: Standard 0.125" Acrylic lens is provided when no other options are selected. All optics are sealed to the door with NSF listed RTV silicone sealant. Other optics are available, consult factory for more information or options not listed.

LEDS: Commercially available in a wide variety of Color Temperature (CCT), FLUX, and CRI. Highly efficient and consistent color maintained to 3 SDMC for color critical applications. B50/L70 and compliant with Zhaga recognized hole patterns. Consult factory for LED options or configurations not listed below.

DRIVERS: Standard Universal Voltage Class 2 drivers are 0-10v Dimmable to 1% and rated -20C (-4F). They come with at least 2.5Kv surge protection, have less than 10% THD at max load, Ballast Factor Greater than .95 and are programmable to match specific lumen or wattage requirements. Drivers with higher input voltage ratings are available, consult factory for driver specifications.

REFLECTOR: Specially designed perforated reflector for indirect even fixture illumination.

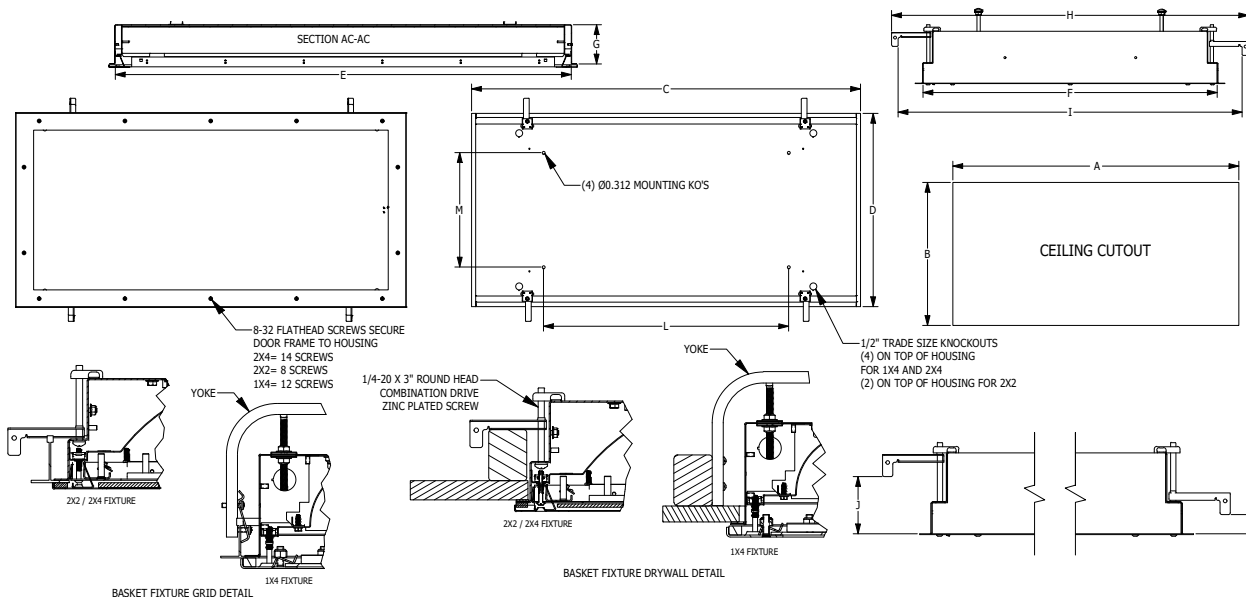
INSTALL RECESSED: One fixture suitable for Grid and Flanged installation. The Recessed 2x2 & 2x4 versions install by use of four adjustable swing out toggle arms with holes for seismic support wire attachment. The 1x4 version installs by use of factory provided yoke hanger brackets along with mounting hardware. Supply entry via 1/2" trade size flattened knockouts on the back of the housing.

FINISH: Stainless steel door frames are satin polished unless WHT or AMW options are selected. All other materials are provided with gloss high reflectance white polyester powdercoat with 1000hr salt spray test per ASTM B117. AMW option provides a white anti-microbial polyester powdercoat to all exposed surfaces.

LISTINGS: IP66 rated for dust and water ingress. Suitable for 1700 PSI high pressure hoses. ETL listed per UL_1598 for wet locations. Chicago Plenum Rated. Certified ISO-14644-1 for class 3 through class 9 cleanspaces. Certified Fed Std 209E for Class 1 through Class 100,000 cleanspaces. NSF2 Listed for non-food zones & Splash Zones. Drivers and LEDs are covered by a 5 year warranty, the remaining fixture is covered by a 10 year warranty. This product is Buy American Act (B.A.A.) compliant.

PRODUCT DRAWINGS

| RECESSED BASKET REFERENCE DIMENSIONS | | | | | | | | | | | | | |
|--------------------------------------|--------|--------|--------|--------|--------|--------|-------|--------|--------|-------|-------|--------|--------|
| SIZE | A | B | C | D | E | F | G | H | I | J | K | L | M |
| 1X4 | 47.00" | 11.00" | 47.63" | 11.69" | 46.50" | 10.50" | 4.00" | 13.12" | 12.25" | N/A | N/A | 36.00" | 8.62" |
| 2X2 | 23.00" | 23.00" | 23.69" | 23.69" | 22.50" | 22.50" | 4.00" | 27.31" | 26.31" | 2.81" | 0.89" | 14.00" | 14.00" |
| 2X4 | 47.00" | 23.00" | 47.63" | 23.69" | 46.50" | 22.50" | 4.00" | 27.31" | 26.31" | 2.81" | 0.89" | 30.00" | 14.00" |



01-CA-L-OVERLAPPING REC BASKET DWG. DATE: 05/28/2024

Cleanroom KL-RB Basket Troffers

1x4, 2x2, and 2x4 Sealed LED Recessed Basket Luminaires

ENERGY DATA

| INDIRECT OVERLAP-RS-LED TROFFER (APPROX ¹ LUMENS DELIVERED) | | | | | | | | | | |
|--|---------------|------------------------|--------------------|-----------------------|--------------|-----------------------|--------------------|-----------------------|---------------------------|------------------|
| ENCLOSURE SIZE | LIGHT PACKAGE | 80 CRI (3000K - 5000K) | | | | 90 CRI (3500K, 4000K) | | | | STANDARD DIMMING |
| | | LUMENS ¹ | WATTS ² | EFFICACY ³ | MAX AMB TEMP | LUMENS ¹ | WATTS ² | EFFICACY ³ | MAX AMB TEMP ⁴ | |
| 1X4 | 2LEDR | 4,084 | 56 | 73 | 40°C (104°F) | 3,915 | 56 | 70 | 40°C (104°F) | 0-10V 1% |
| 1X4 | 3LEDR | 5,680 | 83 | 68 | 40°C (104°F) | 5,445 | 83 | 65 | 40°C (104°F) | 0-10V 1% |
| 1X4 | 2LEDH | 6,277 | 83 | 75 | 40°C (104°F) | 6,027 | 83 | 72 | 40°C (104°F) | 0-10V 1% |
| 1X4 | 3LEDH | 8,731 | 126 | 70 | 35°C (95°F) | 8,382 | 126 | 67 | 35°C (95°F) | 0-10V 1% |
| 2X2 | 2LEDR | 2,224 | 28.9 | 77 | 40°C (104°F) | 2,132 | 28.7 | 74 | 40°C (104°F) | 0-10V 1% |
| 2X2 | 3LEDR | 3,250 | 42.3 | 77 | 40°C (104°F) | 3,115 | 41.9 | 74 | 40°C (104°F) | 0-10V 1% |
| 2X2 | 2LEDH | 3,419 | 42.2 | 81 | 40°C (104°F) | 3,282 | 42.1 | 78 | 40°C (104°F) | 0-10V 1% |
| 2X2 | 3LEDH | 4,885 | 62.6 | 78 | 40°C (104°F) | 4,690 | 62.5 | 75 | 40°C (104°F) | 0-10V 1% |
| 2X4 | 2LEDR | 4,659 | 55.7 | 84 | 40°C (104°F) | 4,466 | 55.3 | 81 | 40°C (104°F) | 0-10V 1% |
| 2X4 | 3LEDR | 6,629 | 83.4 | 79 | 40°C (104°F) | 6,354 | 82.8 | 77 | 40°C (104°F) | 0-10V 1% |
| 2X4 | 2LEDH | 7,161 | 83.3 | 86 | 40°C (104°F) | 6,876 | 83.1 | 83 | 40°C (104°F) | 0-10V 1% |
| 2X4 | 3LEDH | 10,698 | 125.5 | 85 | 35°C (95°F) | 10,271 | 125.2 | 82 | 35°C (95°F) | 0-10V 1% |

¹ DELIVERED LUMEN DATA IS ADJUSTED FROM TESTED DATA WITH .125" ACRYLIC LENS

² WATTAGE IS MEASURED WITH 4000K SELECTION @ 120VAC AND Tambient = 25C. WATTAGES MAY VARY WITH ALTERNATE CONFIGURATIONS

³ EFFICACY CALCULATED USING 4000K CCT DATA.

⁴ MAX AMBIENT TEMP RATING, NON-IC INSTALLATION. TEMP RATING MAY VARY WITH SPECIFIED DRIVERS OR ANY NON STANDARD SELECTION