

# Cleanroom KL Corner Mount

Linear Corner Mount High Efficiency LED Surface Wet Location Luminaires

- **Rated IP66**
- **Suitable for ISO 3-9 Cleanspaces**
- **Suitable for 209E class 1-100,000 Cleanspaces**
- **ETL listed for Wet Locations**
- **One piece overlapping Doorframe**
- **Robotically seam welded housing**
- **0-10v 1% Dimming Standard.**
- **BAA Compliant & Made in the USA by a Family Owned US Corporation**



DISCLAIMER: Although KURTZON has prepared the information contained in this document with all due care, KURTZON does not warrant or represent that the information is free from errors or omission. Whilst the information is considered to be true and correct at the date of publication, changes in circumstances after the time of publication may impact on the accuracy of the information. The information may change without notice and KURTZON is not in any way liable for the accuracy of any information printed and stored or in any way interpreted or used.

## ORDERING GUIDE

Series	Material	Size	Row Qty.	LED Type	CCT/CRI	Voltage	Optics	Options
<b>KL-COR</b>								
Series	Material	Size	Row Qty.	LED Type	CCT/CRI	Voltage	Optics	Options
<b>KL-COR</b>	1 White CRS Hsg. & White CRS Door	40 4' Housing	1	<b>LEDR</b>	<b>83 CRI:</b>	<b>120V</b>	<b>P12ACR</b> 0.135" P12 Prismatic Impact Resistant Acrylic (Inverted)	<b>SW</b> Wet Location Hub Supplied (not installed)
			2		<b>830</b> 3000K	<b>277V</b>	<b>LEX</b> 0.125" P12 Prismatic Polycarbonate (Inverted)	<b>PxL</b> Programmed to User Specified Lumen Value.
	2 White CRS Hsg. & Polished 304 SS Door		<b>835</b> 3500K		<b>UNV</b>	<b>A19</b> 0.156" A19 Prismatic Impact Resistant Acrylic (Inverted)	<b>PxW</b> Programmed to User Specified Wattage Value.	
			<b>840</b> 4000K		<b>347V*</b>	<b>TG</b> 0.156" Prismatic Tempered Glass (Inverted)	<b>10KV</b> 10KV Parallel Surge Protection (One Supplied Per Circuit)	
	3 Polished 304 SS Hsg. & Polished 304 SS Door		<b>850</b> 5000K			<b>HIA</b> 0.140" P12 Prismatic High Impact Resistant Acrylic (Inverted)	<b>GTD</b> Generator Transfer Device	
						<b>FROST</b> 0.125" Flat Diffusing Frost Acrylic	<b>WHIP</b> Must Specify Length and Wire Qty	
	4 White AL Hsg. & Polished 304 SS Door		<b>90+ CRI:</b>			<b>2DBW</b> 0.125" Flat Diffused Acrylic with Bi-Directional Batwing DISTRIBUTION	<b>OCMw</b> Internal microwave OCC Sensor	
			<b>935</b> 3500K			<b>LBW</b> 0.125" Flat Diffused Acrylic with Linear Batwing Distribution	<b>FC</b> Fuse & Holder (One Supplied Per Circuit)	
			<b>940</b> 4000K			<b>GH85</b> 0.125" Flat Diffused Acrylic with Glare Suppression Distribution	<b>EM10</b> 10W Integral LED EM (Specify Input Voltage)	
							<b>EM20</b> 20W Remote LED EM (Specify Input Voltage)	
				<b>EDL</b> -40F Electronic Driver				
				<b>WHT</b> White Finished Door & HSG				
				<b>AMW</b> Anti-Microbial White Powdercoat				
				<b>2/ED</b> Two Drivers/Two Circuits				
				<b>TP</b> Tonn Head SS Tamperproof Fasteners				
				<b>AH</b> Allen Head SS Tamperproof Fasteners				
				<small>Note*: Specify Value in Ordering Notes Below</small>				

Ordering Notes, If Applicable

# Cleanroom KL Corner Mount

Linear Corner Mount High Efficiency LED Surface Wet Location Luminaires

## SPECIFICATIONS

**HOUSING:** One piece, hole free, robotically seam welded housing has flattened knockouts for a superior seal. Available in .040" 3003 Aluminum, 20Ga 304 Stainless Steel, or 20Ga Cold Rolled Steel.

**DOOR FRAME:** One piece door frame with welded corners overlaps the fixture allowing the NSF approved microcellular gasket to seal to the mounting surface. Door frame is hinged by aircraft cables and is supplied with captive stainless steel flush head screws to allow easy wiping of the surface. Available in 20Ga 304 Polished SS, or 18Ga 1008 Powder coated CRS.

**GASKETS:** NSF Listed closed cell microcellular extruded KleanLock SealPro gasket with vulcanized corners making a one-piece oil and solvent resistant gasket system.

**OPTICS:** Standard P12 prismatic acrylic lens is provided when no other options are selected. All prismatic lensing options come with an inverted lens so the smooth side faces the room for easy cleaning. Other optics are available, consult factory for more information or options not listed.

**LEDS:** Commercially available in a wide variety of Color Temperature (CCT), FLUX, and CRI. Highly efficient and consistent color maintained to 3 SDMC for color critical applications. B50/L70 and compliant with Zhaga recognized hole patterns. Consult factory for LED options or configurations not listed below.

**DRIVERS:** Standard Universal Voltage Class 2 drivers are 0-10v Dimmable to 1% and rated -20C (-4F). They come with at least 2.5Kv surge protection, have less than 10% THD at max load, Ballast Factor Greater than .95 and are programmable to match specific lumen or wattage requirements. Drivers with higher input voltage ratings are available, consult factory for driver specifications.

**REFLECTOR:** Die formed metal with high reflectance white polyester powder coat finish. Typical reflectivity 92%.

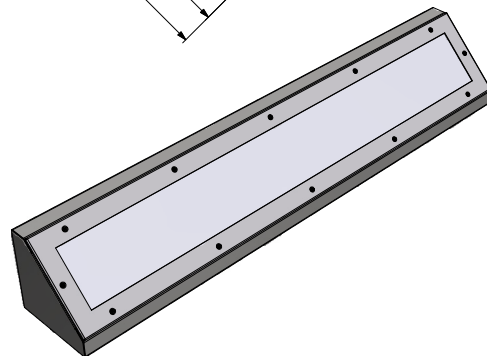
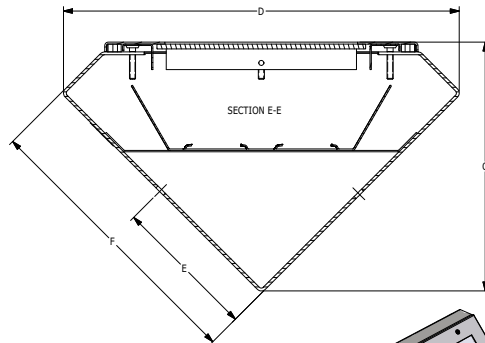
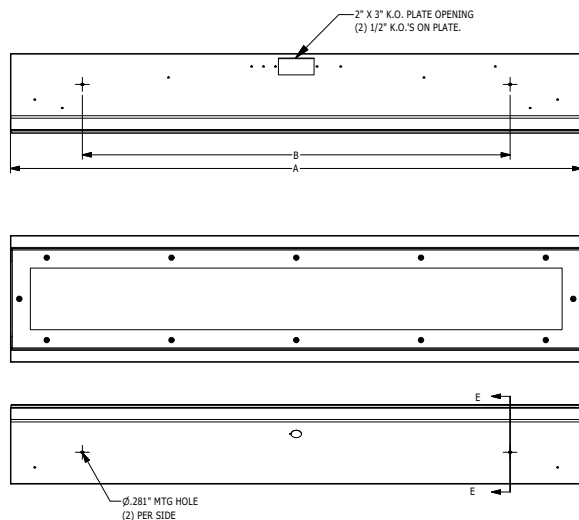
**INSTALL SURFACE:** Four .312" holes for surface mounting. Knockouts provided for conduit entry in six locations. Suitable for through wiring. Suitable for surface installation onto covered ceiling only.

**FINISH:** Stainless steel door frames & housing are satin polished unless WHT or AMW options are selected. All other materials are provided with gloss high reflectance white polyester powder coat with 1000hr salt spray test per ASTM B117. AMW option provides a white anti-microbial polyester powder coat to all exposed surfaces.

**LISTINGS:** IP66 rated for dust and water ingress. Suitable for 1700 PSI high pressure hosedowns. ETL listed per UL\_1598 for wet locations. Certified ISO-14644-1 for class 3 through class 9 cleanspaces. Certified Fed Std 209E for Class 1 through Class 100,000 cleanspaces. NSF2 Listed for Non-Food & Splash Zones. Drivers and LEDs are covered by a 5 year warranty, the remaining fixture is covered by a 10 year warranty. This product is Buy American Act (B.A.A.) compliant.

## PRODUCT DRAWINGS

CORNER OVERLAP REFERENCE DIMENSIONS						
SIZE	DIM A	DIM B	DIM C	DIM D	DIM E	DIM F
40	48.10"	36.00"	6.77"	10.75"	3.75"	7.63"



06-BA-L-40 COR OVERLAP DWG DATE: 03/30/2017

# Cleanroom KL Corner Mount

Linear Corner Mount High Efficiency LED Surface Wet Location Luminaires

## ENERGY DATA

OVERLAP DOOR CORNER MOUNT SURFACE FIXTURE										
ENCLOSURE SIZE	LED SELECTION	STANDARD DIMMING	83 CRI (3000K - 5000K)				90+ CRI (3500K - 4000K)			
			LUMENS <sup>1</sup>	WATTS <sup>2</sup>	EFFICACY <sup>3</sup>	MAX AMB TEMP <sup>4</sup>	LUMENS <sup>1</sup>	WATTS <sup>2</sup>	EFFICACY <sup>3</sup>	MAX AMB TEMP <sup>4</sup>
40	1LEDR	0-10V 1%	2,700	28	96	40°C	2,209	30	74	40°C
40	2LEDR	0-10V 1%	5,242	56	94	40°C	4,288	58	74	40°C
40	EM10 <sup>5</sup>	NA	940-960	4	NA	35°C	740	4	NA	35°C

<sup>1</sup> DELIVERED LUMEN DATA IS EXTRAPOLATED FROM MEASURED DATA @25C WITH NO EXTRA OPTIONS. VARIANCES WILL OCCUR WHEN OTHER SELECTIONS ARE MADE

<sup>2</sup> WATTAGE IS MEASURED WITH 4000K SELECTION @ 120vAC AND Tambient = 25C. WATTAGES MAY VARY WITH ALTERNATE CONFIGURATIONS

<sup>3</sup> EFFICACY CALCULATED USING 4000K CCT DATA.

<sup>4</sup> MAX AMBIENT TEMP RATING. TEMP RATING MAY VARY WITH ALTERNATE SPECIFIED DRIVERS OR ANY NON STANDARD SELECTION

<sup>5</sup> 90 MINUTE 10W EMERGENCY DRIVER; LUMENS CALCULATED BASED ON FIXTURE EFFICACY.

## PHOTOMETRICS

### P12 PRISMATIC

Key:

