

# Cleanroom EL-S Troffers: EL-S-LED-TW

1x4, 2x2 and 2x4 High Efficiency LED Surface Luminaires

- **Rated IP55**
- **Suitable for ISO 5-9 Cleanspaces**
- **Suitable for 209E class 100-100,000 Cleanspaces**
- **ETL listed for Wet Locations**
- **Channel Inset Door Frame**
- **Robotically seam welded housing**
- **0-10v 1% Dimming come standard**
- **B.A.A. & B.A.B.A Compliant & Made in the USA by a Family Owned US Corporation**
- **Available as Warm Dim or as Separately controlled intensity and CCT**
- **Tunable white LEDs allow a full range of CCTS from 2700K - 6500K CCT.**



DISCLAIMER: Although KURTZON has prepared the information contained in this document with all due care, KURTZON does not warrant or represent that the information is free from errors or omission. While the information is considered to be true and correct at the date of publication, changes in circumstances after the time of publication may impact on the accuracy of the information. The information may change without notice and KURTZON is not in any way liable for the accuracy of any information printed and stored or in any way interpreted or used.

## ORDERING GUIDE

Series	Material	Size	Row Qty.	LED Type	CCT/CRI	Control	Voltage	Optics	Options
<b>EL-S</b>				<b>LEDTW</b>					
Series	Material	Size	Row Qty.	Light Source		Control	Voltage	Optics	Options
<b>EL-S</b>	White CRS Hsg. & Polished 304 SS Door	1x4 1' x 4' Housing	1	<b>LEDTW</b>	<b>80 CRI:</b>	10VA 0-10V Analog Control	120V	<b>P12ACR</b> 0.135" P12 Prismatic Impact Resistant Acrylic (Inverted)	<b>SW</b> Wet Location Hub Supplied (not installed)
			2						<b>827/865</b> 2700K-6500K
	White 430 SS Hsg. & Polished 304 SS Door	2x2 2' x 2' Housing	2	<b>90+ CRI:</b>	10WVD 0-10V Warm Dim Control	UNV	<b>A19</b> 0.156" A19 Prismatic Impact Resistant Acrylic (Inverted)	<b>PxW *</b> Programmed to User Specified Wattage Value.	
			3					<b>927/965</b> 2700K-6500K	<b>TG</b> 0.156" Prismatic Tempered Glass (Inverted)
	White AL Hsg. & Polished 304 SS Door	2x4 2' x 4' Housing	4				<b>HIA</b> 0.140" P12 Prismatic High Impact Resistant Acrylic (Inverted)	<b>GTD</b> Generator Transfer Device	
							<b>FROST</b> 0.125" Flat Diffusing Frost Acrylic	<b>WHIP</b> Must Specify Length and Wire Qty	
White AL Hsg. & White AL Door						<b>2DBW</b> 0.125" Flat Diffused Acrylic with Bi-Directional Batwing Distribution	<b>OCCMW</b> Internal Microwave OCC Sensor		
							<b>LBW</b> 0.125" Flat Diffused Acrylic with Linear Batwing Distribution	<b>FC</b> Fuse & Holder (One Supplied Per Circuit)	
White CRS Hsg. & White AL Door						<b>GH85</b> 0.125" Flat Diffused Acrylic with Glare Suppression Distribution	<b>EM10</b> 10W Integral LED EM (Specify Input Voltage)		
							<b>EM20</b> 20W Remote LED EM (Specify Input Voltage)	<b>EDL</b> -40F Electronic Driver	

NOTE: P12ACR option is standard and will be provided when no other option is selected

Note\*: Specify Value in Ordering Notes  
Note\*\*: Provided Loose for Field Install

Ordering Notes, If Applicable

# Cleanroom EL-S Troffers: EL-S-LED-TW

1x4, 2x2 and 2x4 High Efficiency LED Surface Luminaires

## SPECIFICATIONS

**HOUSING:** One piece, hole free, robotically seam welded housing has flattened knockouts for a superior seal. Housings are available in .040" 3003 Aluminum, 20Ga 430 Stainless Steel, or 20Ga 1008 Cold Rolled Steel.

**DOOR FRAME:** Inset door frame made from welded channels regresses into the housing to allow the neoprene gasket to seal to the housing. Door frame is hinged by aircraft cables and secures to housing with captive stainless steel pan head screws. Available in .040" 3003 Powder coated Alum. , 20Ga 304 Polished SS.

**GASKETS:** Closed cell 100% pure neoprene gasket with vulcanized corners making a one-piece oil and solvent resistant gasket system.

**OPTICS:** Standard P12 prismatic acrylic lens is provided when no other options are selected. All prismatic lensing options come with an inverted lens so the smooth side faces the room for easy cleaning. All optics are sealed to the door with NSF listed RTV silicone sealant. Other optics are available, consult factory for more information or options not listed.

**LEDS:** Commercially available minimum 80 or 90 CRI 2 channel LED modules use 2700K and 6500K chips to mix color in order to achieve a desired color temperature. Modules have rated lifetime of L70 > 50,000 hrs and efficacy of 165Lm/W . LEDs are controllable via 0-10v dimming, see next page for control options. Consult factory for lumen output configurations not listed on spec sheets.

**DRIVERS:** Standard Universal Voltage Class 2 drivers are 0-10v Dimmable to 1% and Rated -20C (-4F). They come with at least 2.5Kv surge protection, have less than 10% THD at max load, Ballast Factor Greater than .95 and are programmable to match specific lumen or wattage requirements. Drivers with higher input voltage ratings are available, consult factory for driver specifications.

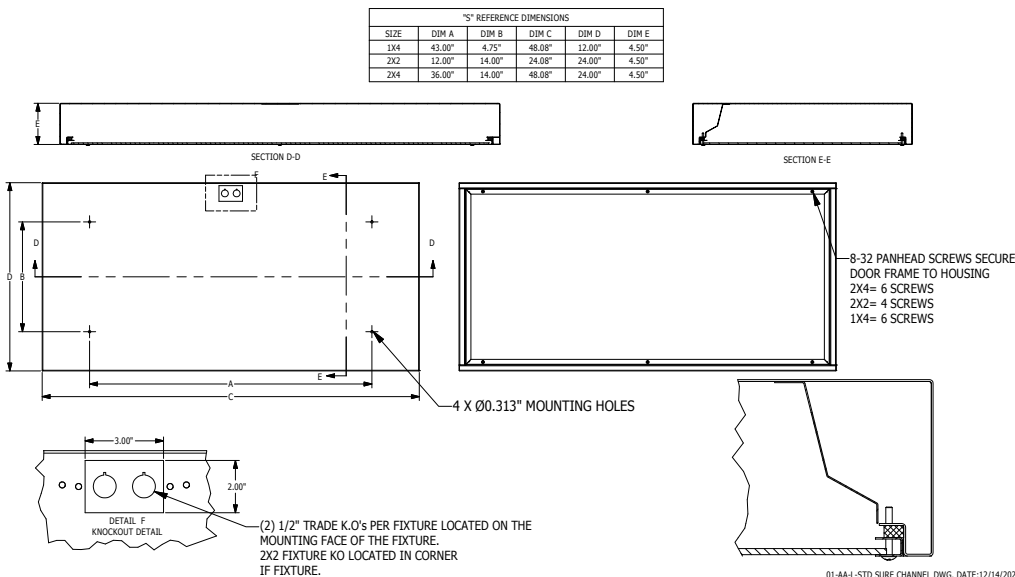
**REFLECTOR:** Die formed metal with high reflectance white polyester powder coat finish. Typical reflectivity 92%.

**INSTALLATION:** Four .312" dia. mounting holes and a removable gasketed wiring access plate with Supply entry via 1/2" trade size flattened knockouts. Suitable for surface installation onto covered ceilings only.

**FINISH:** Stainless steel door frames are satin polished unless WHT or AMW options are selected. All other materials are provided with gloss high reflectance white polyester powder coat with 1000hr salt spray test per ASTM B117. AMW option provides a white anti-microbial polyester powder coat to all exposed surfaces.

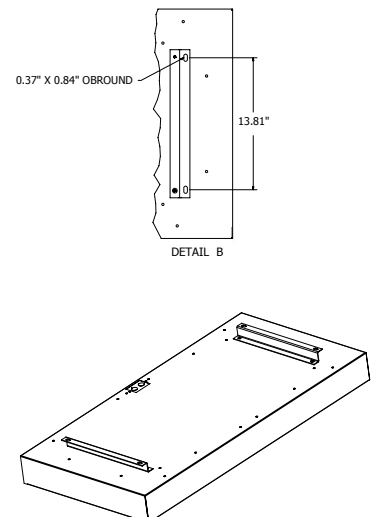
**LISTINGS:** IP55 rated for dust and water ingress. ETL listed per UL\_1598 for wet locations. Certified ISO-14644-1 for class 5 through class 9 cleanspaces. Certified Fed Std 209E for Class 100 through Class 100,000 cleanspaces. NSF2 Listed for Non-Food & Splash Zones. Drivers and LEDs are covered by a 5 year warranty, the remaining fixture is covered by a 10 year warranty. This product Series is both Build America Buy America (B.A.B.A.) & Buy American Act (B.A.A.) compliant.

## PRODUCT DRAWINGS



## MOUNTING

### PMB - Pendant Option



# Cleanroom EL-S Troffers: EL-S-LED-TW

1x4, 2x2 and 2x4 High Efficiency LED Surface Luminaires

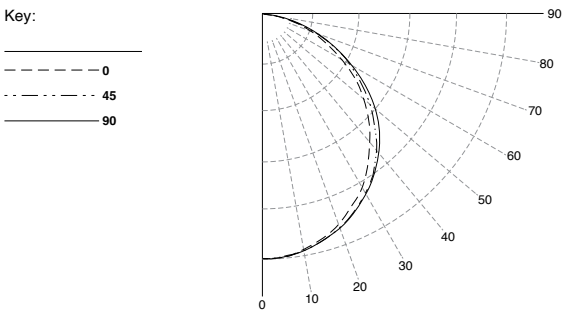
## ENERGY DATA

CHANNEL-FGRS-LED TROFFER (APPROX <sup>1</sup> LUMENS DELIVERED)						
ENCLOSURE SIZE	LIGHT PACKAGE	Tunable White 80 CRI (4000K)			MAX AMB TEMP	CCT RANGE
		LUMENS	WATTS <sup>2</sup>	EFFICACY <sup>3</sup>		
1X4	1LEDTW	3,950	34	116	40°C (104°F)	2700k - 6500k
1X4	2LEDTW	7,550	68	111	40°C (104°F)	2700k - 6500k
1X4	EM10	1100-1160	4	NA	40°C (104°F)	NA
2X2	2LEDTW	3,950	35	113	40°C (104°F)	2700k - 6500k
2X2	3LEDTW	5,900	53	111	40°C (104°F)	2700k - 6500k
2X2	4LEDTW	7,800	68	115	40°C (104°F)	2700k - 6500k
2X2	EM10	1100-1130	4	NA	40°C (104°F)	NA
2X4	2LEDTW	8,150	68	120	40°C (104°F)	2700k - 6500k
2X4	3LEDTW	12,200	103	118	40°C (104°F)	2700k - 6500k
2X4	4LEDTW	15,950	135	118	40°C (104°F)	2700k - 6500k
2X4	EM10	1180-1200	4	NA	40°C (104°F)	NA

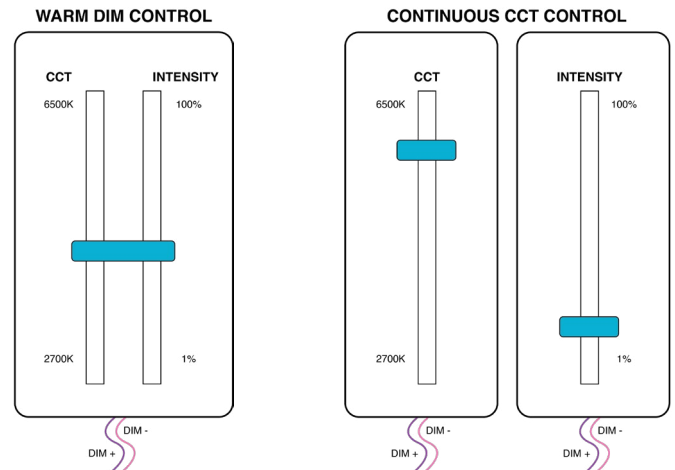
- 1 DELIVERED LUMEN DATA IS CALCULATED BASED ON STATIC WHITE PHOTOMETRY @ 4000K CCT
- 2 WATTAGE IS MEASURED WITH 4000K SELECTION @ 120vAC AND Tambient = 25C. WATTAGES MAY VARY WITH ALTERNATE CONFIGURATIONS
- 3 EFFICACY CALCULATED USING 4000K CCT DATA.
- 4 MAX AMBIENT TEMP RATING, NON-IC INSTALLATION. TEMP RATING MAY VARY WITH SPECIFIED DRIVERS OR ANY NON STANDARD SELECTION
- 5 90 MINUTE 10W EMERGENCY DRIVER; LUMENS CALCULATED BASED ON FIXTURE EFFICACY.
- 6 EM10 DELIVERED LUMENS = (DELIVERED LUMENS/LUMINAIRE WATTS)\*10

## PHOTOMETRICS

### P12 PRISMATIC



## CONTROL OPTIONS



Only one set of dimming Leads are required. As Intensity is Increased so is the CCT. As intensity decreases the CCT decreases to warmer color Temperatures.

Two set of dimming leads are required. Intensity and CCT of light are controlled independently from one another.