

Cleanroom EL Corner Mount

Linear Corner Mount High Efficiency LED Wet Location Luminaires

- **Rated IP55**
- **Suitable for ISO 5-9 Cleanspaces**
- **Suitable for 209E class 100-100,000 Cleanspaces**
- **ETL listed for Wet Locations**
- **Channel Inset Door Frame**
- **Robotically seam welded housing**
- **0-10v 1% Dimming Standard**



DISCLAIMER: Although KURTZON has prepared the information contained in this document with all due care, KURTZON does not warrant or represent that the information is free from errors or omission. Whilst the information is considered to be true and correct at the date of publication, changes in circumstances after the time of publication may impact on the accuracy of the information. The information may change without notice and KURTZON is not in any way liable for the accuracy of any information printed and stored or in any way interpreted or used.

ORDERING GUIDE

Series	Installation Type	Material	Size	Source	CCT	Voltage	Options
EL							
EL	COR: Surface Corner	1: White CRS Hsg. & White CRS Door 2: White CRS Hsg. & Polished 304 SS Door 3: White SS Hsg. & Polished 304 SS Door 4: White AL Hsg. & Polished 304 SS Door	40: 4' Housing	1/LEDR 2/LEDR	83 CRI: 830 = 3000K CCT 835 = 3500K CCT 840 = 4000K CCT 850 = 5000K CCT 90+ CRI: 935 = 3500K CCT 940 = 4000K CCT	120V 277V UNV 347V*	FC: Fuse & Holder (One Supplied Per Circuit) 2/ED: Two Drivers (Two Circuits) EDL: -40F Electronic Driver EM10: 10W integral LED EM WHT: White Finished Door & HSG LEX: .125" Prismatic Polycarbonate A19: .156" Prismatic P19 Pattern Clear Acrylic HIA: .140" High Impact P12 Pattern Clear Acrylic TG: .156" Prismatic Tempered Glass SW: Wet Locatoin Hub Supplied (not installed) PxL: Programmed to User Specified Lumen Value.000 PxW: Programmed to User Specified Wattage Value.000 10KV: 10KV Parallel Surge Protection (One Supplied Per Circuit) GTD: Generator Transfer Device WHIP: Must Specify Length and Wire Qty TP: Torx Head SS Tamperproof Fasteners .125 FROST: 1/8" Frost Acrylic Lens OCCMW: Internal microwave OCC Sensor AH: Allen Head SS Tamperproof Fasteners

Cleanroom EL Corner Mount

Linear Corner Mount High Efficiency LED Wet Location Luminaires

SPECIFICATIONS

HOUSING: Hole free, robotically seam welded housing has flattened knockouts for a superior seal. Available in .040" 3003 Aluminum, 20Ga 430 Stainless Steel, or 20Ga Cold Rolled Steel.

DOOR FRAME: Inset door frame made from welded channels regresses into the housing to allow the neoprene gasket to seal to the housing. Door frame is hinged by aircraft cables and secures to housing with captive stainless steel pan head screws. Available in 20Ga Powder Coated Cold Rolled Steel, 20Ga 304 Polished SS.

GASKETS: Closed cell 100% pure neoprene gasket with vulcanized corners making a one-piece oil and solvent resistant gasket system.

LENS: Impact resistant .135" thick virgin acrylic with P12 prismatic pattern inverted. See "Options" for other choices.

LEDS: Commercially available in a wide variety of Color Temperature (CCT), FLUX, and CRI. Highly efficient and consistent color maintained to 3 SDMC for color critical applications. B50/L70 and compliant with Zhaga recognized hole patterns. Consult factory for LED options or configurations not listed below.

DRIVERS: Standard Universal Voltage Class 2 drivers are 0-10v Dimmable to 1% for most LED configurations. They come with at least 2.5Kv surge protection, have less than 10% THD at max load, Ballast Factor Greater than .95 and are programmable to match specific lumen or wattage requirements. Drivers with higher input voltage ratings are available, consult factory for driver specifications.

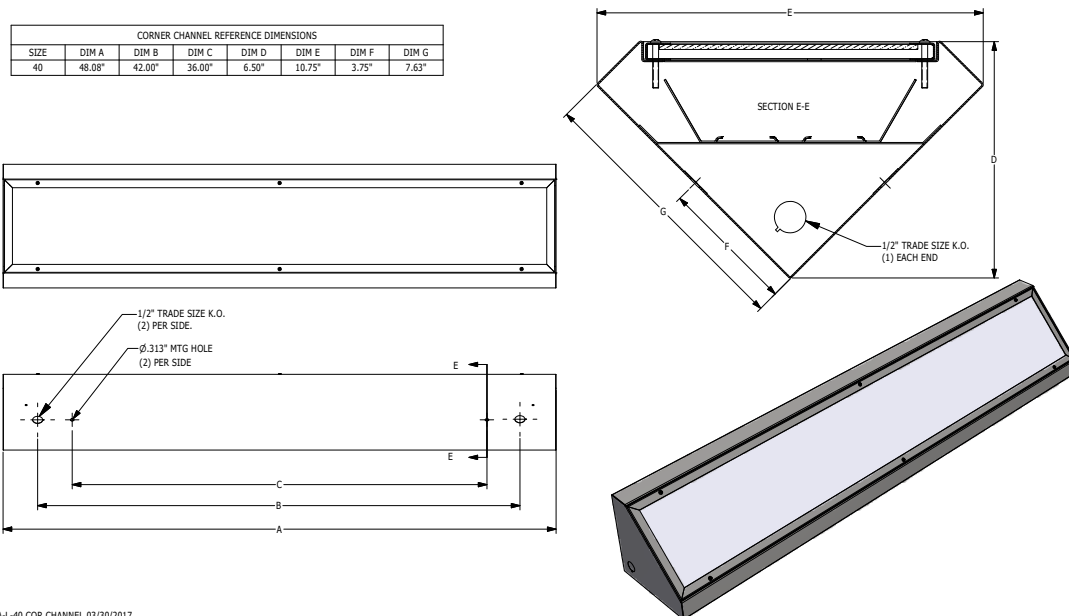
REFLECTOR: Die formed metal with high reflectance white polyester powder coat finish. Typical reflectivity 92%.

INSTALL SURFACE: Four .312" holes for surface mounting. Knockouts provided for conduit entry. Suitable for through wiring.

FINISH: Gloss white high reflectance 1000 hr. salt spray polyester powder coat finish standard for all housings and CRS doorframes. Stainless steel doorframes are satin polished unless option WHT is chosen.

LISTINGS: IP55 rated for dust and water ingress. ETL listed per UL_1598 for wet locations. Certified ISO-14644-1 for class 5 through class 9 cleanspaces. Certified Fed Std 209E for Class 100 through Class 100,000 cleanspaces. Drivers and LEDs are covered by a 5 year warranty, the remaining fixture is covered by a 10 year warranty.

PRODUCT DRAWINGS



06-AA-L-40 COR CHANNEL 03/30/2017

Cleanroom EL Corner Mount

Linear Corner Mount High Efficiency LED Wet Location Luminaires

ENERGY DATA

CHANNEL DOOR CORNER MOUNT SURFACE FIXTURE										
ENCLOSURE SIZE	LED SELECTION	STANDARD DIMMING	83 CRI (3000K - 5000K)				90+ CRI (3500K - 4000K)			
			LUMENS ¹	WATTS ²	EFFICACY ³	MAX AMB TEMP ⁴	LUMENS ¹	WATTS ²	EFFICACY ³	MAX AMB TEMP ⁴
40	1LEDR	0-10V 1%	3,300	30	110	40°C	2,699	32	84	40°C
40	2LEDR	0-10V 1%	6,216	56	111	40°C	5,085	58	88	40°C
40	EM10 ⁵	NA	1100-1110	4	NA	35°C	840-880	4	NA	35°C

- ¹ DELIVERED LUMEN DATA IS EXTRAPOLATED FROM MEASURED DATA @25C WITH NO EXTRA OPTIONS. VARIANCES WILL OCCUR WHEN OTHER SELECTIONS ARE MADE
- ² WATTAGE IS MEASURED WITH 4000K SELECTION @ 120VAC AND Tambient = 25C. WATTAGES MAY VARY WITH ALTERNATE CONFIGURATIONS
- ³ EFFICACY CALCULATED USING 4000K CCT DATA.
- ⁴ MAX AMBIENT TEMP RATING. TEMP RATING MAY VARY WITH ALTERNATE SPECIFIED DRIVERS OR ANY NON STANDARD SELECTION
- ⁵ 90 MINUTE 10W EMERGENCY DRIVER; LUMENS CALCULATED BASED ON FIXTURE EFFICACY.

PHOTOMETRICS

EL-COR-1-40-2/LEDR840-UNV

Report No: 19804.0
 Total Lumens: 6,240
 Wattage: 56.120
 Efficacy: 111.2 (Lumens Per Watt)
 Fixture Size: 4'
 Key:
 --- 0
 - - - 45
 ——— 90

