

Cleanroom KL Corner Mount

Linear Corner Mount Fluorescent Wet Location Luminaires

- **IP66 Rating**
- **Suitable for ISO 3-9 Cleanspaces**
- **Suitable for 209E 1-100,000 Cleanspaces**
- **UL Listed for Wet Locations**
- **One piece overlapping doorframe**
- **Robotically seam welded housing**



DISCLAIMER: Although KURTZON has prepared the information contained in this document with all due care, KURTZON does not warrant or represent that the information is free from errors or omission. Whilst the information is considered to be true and correct at the date of publication, changes in circumstances after the time of publication may impact on the accuracy of the information. The information may change without notice and KURTZON is not in any way liable for the accuracy of any information printed and stored or in any way interpreted or used.

ORDERING GUIDE

Series	Installation Type	Material	Size	Lamps	Voltage	Options
KL						
KL	COR: Surface Corner	1: White CRS Hsg. & White CRS Door 2: White CRS Hsg. & Polished 304 SS Door 3: Polished 304 SS Hsg. & Polished 304 SS Door 4: White AL Hsg. & Polished 304 SS Door	40: 4' Housing	1,2, or 3/T8: F32T8 1,2, or 3/T5: F28T5 1, or 2/T5HO: F54FTHO	120V 277V UNV 347V*	FC: Fuse & Holder (One Supplied Per Circuit) 2/EB: Two Ballasts (Two Circuits) EBL: -20F Electronic Ballast EBPRS: Program Rapid Start Ballast WHT: White Finished Door & HSG LEX: .125" Prismatic Polycarbonate A19: .156" Prismatic P19 Pattern Clear Acrylic HIA: .140" High Impact P12 Pattern Clear Acrylic TG: .156" Prismatic Tempered Glass SW: Wet Locatoin Hub Supplied (not installed) 1/EM: 1 Lamp EM (See Chart For Lamp Compatibility) 2/EM: 2 Lamp EM (See Chart For Lamp Compatibility) 10KV: 10KV Parallel Surge Protection (One Supplied Per Circuit) GTD: Generator Transfer Device WHIP: Must Specify Length and Wire Qty OCCMW: Internal microwave OCC Sensor TP: Torx Head SS Tamperproof Fasteners AH: Allen Head SS Tamperproof Fasteners

Cleanroom KL Corner Mount

Linear Corner Mount Fluorescent Wet Location Luminaires

SPECIFICATIONS

HOUSING: One piece, welded with endcaps, hole free, robotically seam welded housing has flattened knockouts for a superior seal. Available in .040" 3003 Aluminum, 20Ga 304 Stainless Steel, or 20Ga Cold Rolled Steel.

DOOR FRAME: One piece door frame with welded corners overlaps the fixture allowing the NSF approved microcellular gasket to seal to the mounting surface. Door frame is hinged by aircraft cables and is supplied with captive stainless steel flush head screws to allow easy wiping of the surface. Available in 20Ga 304 Polished SS, or 18Ga 1008 Powder coated CRS.

GASKETS: NSF Listed closed cell microcellular extruded KleanLock SealPro gasket with vulcanized corners making a one-piece oil and solvent resistant gasket system.

LENS: Impact resistant .135" thick virgin acrylic with P12 prismatic pattern inverted. See "Options" for other choices.

LAMPS: Suitable for most T8, T5, and T5HO lamps. (By others)

ELECTRICAL: Standard Class P Ballast - Electronic < 10% THD, high performance instant start universal voltage (120-277). See options for Rapid Start, Dimming, or Cold Temp Ballasts, Others available (must specify). Dual level switching available with 2/EB option

REFLECTOR: Die formed metal with high reflectance white polyester powder coat finish. Typical reflectivity 92%.

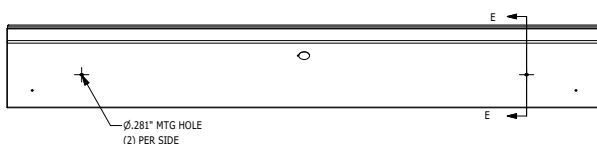
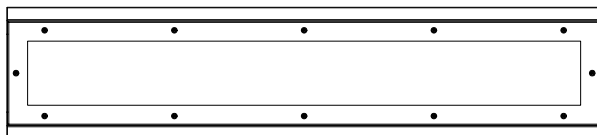
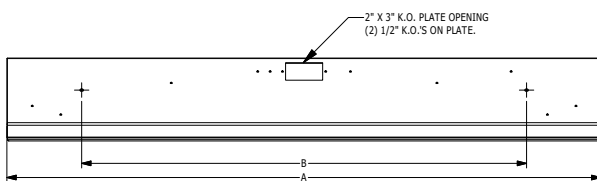
INSTALL SURFACE: Four .312" holes for surface mounting. Knockouts provided for conduit entry. Suitable for through wiring.

FINISH: All stainless steel housings and doors are polished unless WHT option is chosen. All other housings and doors are finished with gloss white high reflectance 1000hr salt spray polyester powder coat.

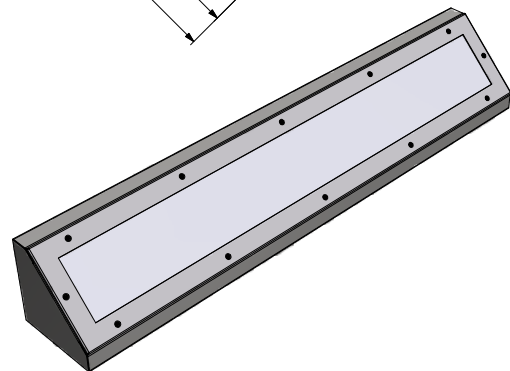
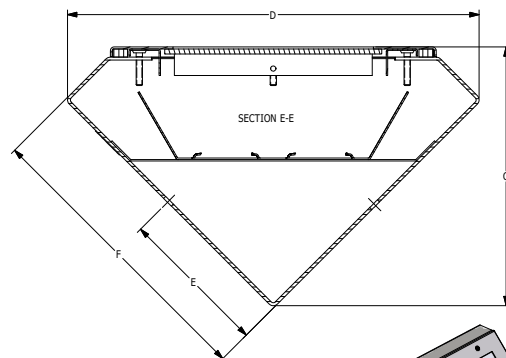
LISTINGS: IP66 rated for dust and water ingress. Suitable for 1700 PSI high pressure hosedowns. UL listed per UL_1598 for wet locations. Certified ISO-14644-1 for class 3 through class 9 cleanspaces. Certified Fed Std 209E for Class 1 through Class 100,000 cleanspaces. NSF2 Listed for Food Zones. Electrical components covered under manufacturers warranty, the remaining fixture is covered by a 10 year warranty.

PRODUCT DRAWINGS

CORNER OVERLAP REFERENCE DIMENSIONS						
SIZE	DIM A	DIM B	DIM C	DIM D	DIM E	DIM F
40	48.10"	36.00"	6.77"	10.75"	3.75"	7.63"



06-BA-L-40 COR OVERLAP DWG DATE: 03/30/2017



Cleanroom KL Corner Mount

Linear Corner Mount Fluorescent Wet Location Luminaires

ENERGY DATA

OVERLAP DOOR CORNER MOUNT FLUORESCENT						
ENCLOSURE SIZE	LAMP TYPE	LAMP QTY ¹	(EBPRS) RAPID START	(2/EM) 2 LAMP EMERGENCY ²	(1/EM) 1 LAMP EMERGENCY ²	MAX AMBIENT TEMP ³
40	F32WT8	1,2, OR 3	OPTIONAL	1460 Lm	700 Lm	40°C
40	F28WT5	1,2, OR 3	STANDARD	NA	1050 Lm	40°C
40	F54WT5HO	1 OR 2	STANDARD	NA	1150 Lm	40°C

¹ LAMPS SUPPLIED BY OTHERS

² TOTAL GENERATED LUMENS (FROM STANDARD EMERGENCY BALLAST SPECIFICATION SHEET)

³ TEMP RATING MAY VARY WITH ALTERNATE SPECIFIED BALLASTS OR ANY NON STANDARD SELECTION