

Cleanroom EL Corner Mount

Linear Corner Mount Fluorescent Wet Location Luminaires

- **Rated IP55**
- **Suitable for ISO 5-9 Cleanspaces**
- **Suitable for 209E class 100-100,000 Cleanspaces**
- **UL listed for Wet Locations**
- **Channel Inset Door Frame**
- **Robotically seam welded housing**



DISCLAIMER: Although KURTZON has prepared the information contained in this document with all due care, KURTZON does not warrant or represent that the information is free from errors or omission. While the information is considered to be true and correct at the date of publication, changes in circumstances after the time of publication may impact on the accuracy of the information. The information may change without notice and KURTZON is not in any way liable for the accuracy of any information printed and stored or in any way interpreted or used.

ORDERING GUIDE

Series	Installation Type	Material	Size	Lamps	Voltage	Options
EL						
EL	COR: Surface Corner	1: White CRS Hsg. & White CRS Door 2: White CRS Hsg. & Polished 304 SS Door 3: White SS Hsg. & Polished 304 SS Door 4: White AL Hsg. & Polished 304 SS Door	40: 4' Housing	1,2, or 3/T8: F32T8 1,2, or 3/T5: F28T5 1, or 2/T5HO: F54FTHO	120V 277V UNV 347V*	FC: Fuse & Holder (One Supplied Per Circuit) 2/EB: Two Ballasts (Two Circuits) EBL: -20F Electronic Ballast EBPRS: Program Rapid Start Ballast WHT: White Finished Door & HSG LEX: .125" Prismatic Polycarbonate A19: .156" Prismatic P19 Pattern Clear Acrylic HIA: .140" High Impact P12 Pattern Clear Acrylic TG: .156" Prismatic Tempered Glass SW: Wet Locatoin Hub Supplied (not installed) 1/EM: 1 Lamp EM (See Chart For Lamp Compatibility) 2/EM: 2 Lamp EM (See Chart For Lamp Compatibility) 10KV: 10KV Parallel Surge Protection (One Supplied Per Circuit) GTD: Generator Transfer Device WHIP: Must Specify Length and Wire Qty GG: NSF Approved Seal-Pro Gasket TP: Torx Head SS Tamperproof Fasteners OCCMW: Internal microwave OCC Sensor AH: Allen Head SS Tamperproof Fasteners

Cleanroom EL Corner Mount

Linear Corner Mount Fluorescent Wet Location Luminaires

SPECIFICATIONS

HOUSING: Available in .040" 3003 Aluminum, 20Ga 430 Stainless Steel, or 20Ga 1008 Cold Rolled Steel.

DOOR FRAME: Inset door frame made from welded channels regresses into the housing to allow the neoprene gasket to seal to the housing. Door frame is hinged by aircraft cables and secures to housing with captive stainless steel pan head screws. Available in 20Ga Powder Coated Cold Rolled Steel, 20Ga 304 Polished SS.

GASKETS: Closed cell 100% pure neoprene gasket with vulcanized corners making a one-piece oil and solvent resistant gasket system.

LENS: Impact resistant .135" thick virgin acrylic with P12 prismatic pattern inverted. See "Options" for other choices.

LAMPS: Suitable for most T8, T5, and T5HO lamps. (By others)

ELECTRICAL: Standard Class P Ballast - Electronic < 10% THD, high performance instant start universal voltage (120-277). See options for Rapid Start, Dimming, or Cold Temp Ballasts, Others available (must specify). Dual level switching available with 2/EB option

REFLECTOR: Die formed metal with high reflectance white polyester powder coat finish. Typical reflectivity 92%.

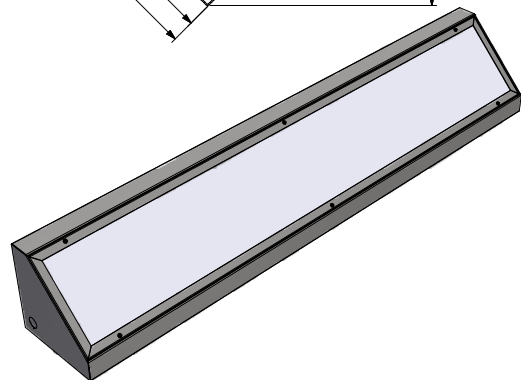
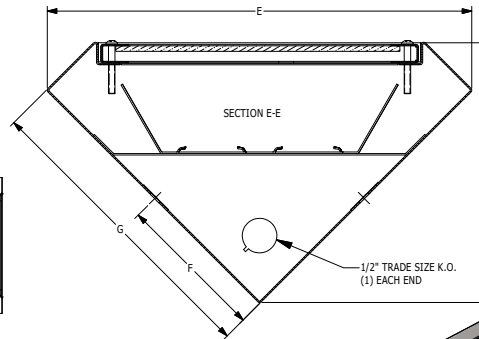
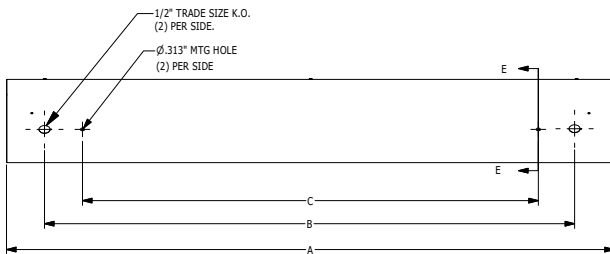
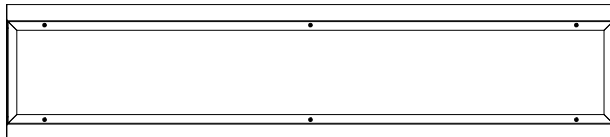
INSTALL SURFACE: Four .312" holes for surface mounting. Knockouts provided for conduit entry in six locations. Suitable for through wiring.

FINISH: Gloss white high reflectance 1000 hr. salt spray polyester powder coat finish standard for all housings and CRS doorframes. Stainless steel doorframes are satin polished unless option WHT is chosen.

LISTINGS: IP55 rated for dust and water ingress. UL listed per UL_1598 for wet locations. Certified ISO-14644-1 for class 5 through class 9 cleanspaces. Certified Fed Std 209E for Class 100 through Class 100,000 cleanspaces. Electrical components covered under manufacturers warranty, the remaining fixture is covered by a 10 year warranty.

PRODUCT DRAWINGS

CORNER CHANNEL REFERENCE DIMENSIONS							
SIZE	DIM A	DIM B	DIM C	DIM D	DIM E	DIM F	DIM G
40	48.08"	42.00"	36.00"	6.50"	10.75"	3.75"	7.63"



06-AA-L-40 COR CHANNEL 03/30/2017

Cleanroom EL Corner Mount

Linear Corner Mount Fluorescent Wet Location Luminaires

ENERGY DATA

CHANNEL DOOR CORNER MOUNT FLUORESCENT						
ENCLOSURE SIZE	LAMP TYPE	LAMP QTY ¹	(EBPRS) RAPID START	(2/EM) 2 LAMP EMERGENCY ²	(1/EM) 1 LAMP EMERGENCY ²	MAX AMBIENT TEMP ³
40	F32WT8	1,2, OR 3	OPTIONAL	1460 Lm	700 Lm	40°C
40	F28WT5	1,2, OR 3	STANDARD	NA	1050 Lm	40°C
40	F54WT5HO	1 OR 2	STANDARD	NA	1150 Lm	40°C

¹ LAMPS SUPPLIED BY OTHERS

² TOTAL GENERATED LUMENS (FROM STANDARD EMERGENCY BALLAST SPECIFICATION SHEET)

³ TEMP RATING MAY VARY WITH ALTERNATE SPECIFIED BALLASTS OR ANY NON STANDARD SELECTION