

Behavioral Health Troffers

Anti-Ligature 1x4, 2x2, and 2x4 LED Basket Luminaires for Behavioral Health Facilities

- **IP65 Rated**
- **Indirect Basket for Even Illumination**
- **Anti-Ligature Zero Clearance Door Frame Design**
- **Polycarbonate Lensing and Tamper-Resistant Fasteners Standard**
- **0-10V Dimming Down to 1% Standard**
- **Recessed Housing Suitable for Grid or Flange Installation.**



DISCLAIMER: Although KURTZON has prepared the information contained in this document with all due care, KURTZON does not warrant or represent that the information is free from errors or omission. Whilst the information is considered to be true and correct at the date of publication, changes in circumstances after the time of publication may impact on the accuracy of the information. The information may change without notice and KURTZON is not in any way liable for the accuracy of any information printed and stored or in any way interpreted or used.

ORDERING GUIDE

Series	Installation Type	Material	Size	Source	CCT	Voltage	Lens: LED Side/ Room Side	Options
VL								
VL	RB: Recessed Basket <i>(Suitable for Grid or Hardlid Installations)</i>	1: White 18Ga. CRS Hsg. & White 18Ga. CRS Door 2: White 18Ga. CRS Hsg. & Polished 304 SS Door	1x4: Nominal 1'x4' Housing OR 2x2: Nominal 2'x2' Housing OR 2x4: Nominal 2'x4' Housing	2/LEDR 3/LEDR 2/LEDH 3/LEDH	83 CRI: 830 = 3000K CCT 835 = 3500K CCT 840 = 4000K CCT 850 = 5000K CCT 90+ CRI: 935 = 3500K CCT 940 = 4000K CCT	120V 277V UNV	Choose One Flat Lens 1: .125" Clear Flat Polycarbonate 2: .187" Clear Flat Polycarbonate 3: .250" Clear Flat Polycarbonate	FC: Fuse & Holder (One Supplied Per Circuit) 2/ED: Two Drivers (Two Circuits) EM10: 10W Integral LED EM (Specify Input Voltage) SW: Wet Location Hub Supplied (not installed) PxL: Programmed to User Specified Lumen Value.∞∞ PxW: Programmed to User Specified Wattage Value.∞∞ 10KV: 10KV Parallel Surge Protection (One Supplied Per Circuit) WHIP: Must Specify Length and Wire Qty WHT: White Finished SS Door TPWHT: White Painted Torx Tamperproof Fasteners YMB: Optional Yoke Mounting Bracket AH: Allen Head SS Tamperproof Fasteners

Behavioral Health Troffers

Anti-Ligature 1x4, 2x2, and 2x4 LED Basket Luminaires for Behavioral Health Facilities

SPECIFICATIONS

HOUSING: One piece, hole free, robotically seam welded housing has flattened, knockouts for a superior seal. Housings are available in 18Ga. Cold Rolled Steel with White Powdercoat finish.

DOOR FRAME: One piece zero clearance interference fit doorframe regressed into housing and desigend to prevent ligature. Secured by captive torx tamperproof fasteners and hinged to housing with aircraft cables. Available in Powdercoated 18Ga steel OR Polished 304 Stainless steel.

GASKETS: Closed cell microcellular extruded KleanLock SealPro gasket with vulcanized corners making a one-piece oil and solvent resistant gasket system.

LENS: High durability minimum .125" thick clear polycarbonate. Factory sealed to door with silicone. Other options available.

LEDS: Commercially available in a wide variety of Color Temperature (CCT), FLUX, and CRI. Highly efficient and consistent color maintained to 3 SDMC for color critical applications. B50/L70 and compliant with Zhaga recognized hole patterns. Consult factory for LED options or configurations not listed below.

DRIVERS: Standard Universal Voltage Class 2 drivers are 0-10v Dimmable to 1% for most LED configurations. They come with at least 2.5Kv surge protection, have less than 10% THD at max load, Ballast Factor Greater than .95 and are programmable to match specific lumen or wattage requirements. Drivers with higher input voltage ratings are available, consult factory for driver specifications.

REFLECTOR: Specially designed perforated reflector for indirect even fixture illumination.

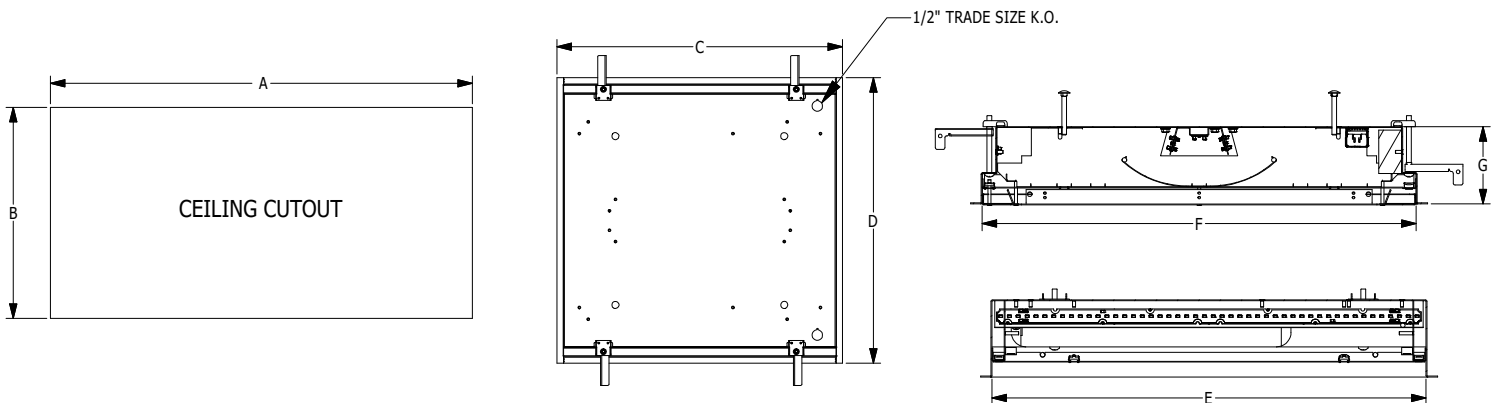
INSTALL RECESSED: One fixture suitable for Grid and Flanged installation. Accommodates 1" T-Bar Grid (Consult factory for 2" T-Bar Grid compatibility). Four adjustable toggle arms with holes for seismic support wire attachment. Supply entry via 1/2" trade size flattened knockouts. Yoke Mount Optional.

FINISH: Gloss white high reflectance 1000 hr. salt spray polyester powder coat finish standard for all housings.

LISTINGS: IP65 rated for dust and water ingress. ETL listed per UL_1598 for wet locations. Chicago Plenum Rated. Drivers and LEDs are covered by a 5 year warranty, the remaining fixture is covered by a 10 year warranty.

PRODUCT DRAWINGS

RECESSED BASKET REFERENCE DIMENSIONS							
SIZE	A	B	C	D	E	F	G
1X4	47.00"	11.00"	47.63"	11.69"	46.50"	10.50"	4.00"
2X2	23.00"	23.00"	23.69"	23.69"	22.50"	22.50"	4.00"
2X4	47.00"	23.00"	47.63"	23.69"	46.50"	22.50"	4.00"



Behavioral Health Troffers

Anti-Ligature 1x4, 2x2, and 2x4 LED Basket Luminaires for Behavioral Health Facilities

ENERGY DATA

INDIRECT INSET-FGRS-LED TROFFER (APPROX ¹ LUMENS DELIVERED)										
ENCLOSURE SIZE	LIGHT PACKAGE	80 CRI (3000K - 5000K)				90 CRI (3500K, 4000K)				STANDARD DIMMING
		LUMENS ¹	WATTS ²	EFFICACY ³	MAX AMB TEMP	LUMENS ¹	WATTS ²	EFFICACY ³	MAX AMB TEMP ⁴	
1X4	2LEDR	PENDING	PENDING	PENDING	40°C (104°F)	PENDING	PENDING	PENDING	40°C (104°F)	0-10V 1%
1X4	3LEDR	PENDING	PENDING	PENDING	40°C (104°F)	PENDING	PENDING	PENDING	40°C (104°F)	0-10V 1%
1X4	2LEDH	PENDING	PENDING	PENDING	40°C (104°F)	PENDING	PENDING	PENDING	40°C (104°F)	0-10V 1%
1X4	3LEDH	PENDING	PENDING	PENDING	40°C (104°F)	PENDING	PENDING	PENDING	40°C (104°F)	0-10V 1%
2X2	2LEDR	1,987	30.5	65.1	40°C (104°F)	1,906	30.5	62.5	40°C (104°F)	0-10V 1%
2X2	3LEDR	2,940	45.8	64.2	40°C (104°F)	2,820	45.8	61.6	40°C (104°F)	0-10V 1%
2X2	2LEDH	2,865	43.3	66.2	40°C (104°F)	2,753	43.3	63.6	40°C (104°F)	0-10V 1%
2X2	3LEDH	4,357	64.8	67.2	40°C (104°F)	4,186	64.8	64.6	40°C (104°F)	0-10V 1%
2X4	2LEDR	4,310	61.0	70.7	40°C (104°F)	4,134	61.0	67.8	40°C (104°F)	0-10V 1%
2X4	3LEDR	6,342	91.4	69.4	40°C (104°F)	6,084	91.4	66.6	40°C (104°F)	0-10V 1%
2X4	2LEDH	6,188	86.4	71.6	40°C (104°F)	5,946	86.4	68.8	40°C (104°F)	0-10V 1%
2X4	3LEDH	9,459	129.6	73.0	40°C (104°F)	9,089	129.6	70.1	40°C (104°F)	0-10V 1%

¹ DELIVERED LUMEN DATA IS ADJUSTED FROM TESTED DATA WITH .125" LENS

² WATTAGE IS MEASURED WITH 4000K SELECTION @ 120VAC AND Tambient = 25C. WATTAGES MAY VARY WITH ALTERNATE CONFIGURATIONS

³ EFFICACY CALCULATED USING 4000K CCT DATA.

⁴ MAX AMBIENT TEMP RATING, NON-IC INSTALLATION. TEMP RATING MAY VARY WITH SPECIFIED DRIVERS OR ANY NON STANDARD SELECTION