

Behavioral Health Troffers - Tunable White

Anti-Ligature 2x2 and 2x4 LED Basket Luminaires for Behavioral Health Facilities.



- **IP65 Rated**
- **Indirect Basket for Even Illumination**
- **Anti-Ligature Zero Clearance Door Frame Design**
- **Polycarbonate Lensing and Tamper-Resistant Fasteners Standard**
- **Tunable White 2700k - 6500k CCT**
- **Available With DALI Or 0-10V Controls**
- **Recessed Housing Suitable for Grid or Flange Installation.**



DISCLAIMER: Although KURTZON has prepared the information contained in this document with all due care, KURTZON does not warrant or represent that the information is free from errors or omission. While the information is considered to be true and correct at the date of publication, changes in circumstances after the time of publication may impact on the accuracy of the information. The information may change without notice and KURTZON is not in any way liable for the accuracy of any information printed and stored or in any way interpreted or used.

ORDERING GUIDE

Series	Installation Type	Material	Size	Source	CCT	Control	Voltage	Lens	Options
VL									
VL	RB: Recessed Basket <i>(Suitable for Grid or Hardlid Installations)</i>	1: White 18Ga. CRS Hsg. & White 18Ga. CRS Door 2: White 18Ga. CRS Hsg. & Polished 304 SS Door	2x2: Nominal 2'x2' Housing OR 2x4: Nominal 2'x4' Housing	2/LEDTW 3/LEDTW	827/865: 80 CRI; 2700k-6500k CCT **8xx/8yy: 80 CRI; xx00k-yy00k CCT **Consult factory for custom CCT range Availability	0-10v Analog Dimming 10V-CON: Continuous CCT 0-10v dimming 10V-WD: Warm Dim 0-10V dimming DALI Digital Dimming DAL-CON: Cont. CCT DALI dimming	UNV: 120-277 Vac	Choose One Flat Lens 1: .125" Clear Flat Polycarbonate 2: .187" Clear Flat Polycarbonate 3: .250" Clear Flat Polycarbonate	FF: Fuse & Holder EM10: 10W Integral LED EM (Specify Input Voltage) SW: Wet Location Hub Supplied (not installed) PxL: Programmed to User Specified Lumen Value.∅∞ PxW: Programmed to User Specified Wattage Value.∅∞ 10KV: 10KV Parallel Surge Protection (One Supplied Per Circuit) WHIP: Must Specify Length and Wire Qty WHT: White Finished SS Door TPWHT: White Painted Torx Tamperproof Fasteners YMB: Optional Yoke Mounting Bracket AH: Allen Head SS Tamperproof Fasteners

Behavioral Health Troffers - Tunable White

Anti-Ligature 2x2 and 2x4 LED Basket Luminaires for Behavioral Health Facilities.

SPECIFICATIONS

HOUSING: One piece, hole free, robotically seam welded housing has flattened, knockouts for a superior seal. Housings are available in 18Ga. Cold Rolled Steel with White Powdercoat finish.

DOOR FRAME: One piece zero clearance interference fit doorframe regressed into housing and desigend to prevent ligature. Secured by captive torx tamperproof fasteners and hinged to housing with aircraft cables. Available in Powdercoated 18Ga steel OR Polished 304 Stainless steel.

GASKETS: Closed cell microcellular extruded KleanLock SealPro gasket with vulcanized corners making a one-piece oil and solvent resistant gasket system.

LEDS: Commercially available minimum 80 CRI 2 channel LED modules use 2700K and 6500K chips to mix color in order to achieve a desired color temperature. Modules have rated lifetime of L70 > 50,000 hrs and efficacy of 165Lm/W . See LED options to specify a custom range of Color temperatures. Consult factory for lumen output configurations not listed on spec sheets.

DRIVERS: Dual Channel Programmable Drivers make color tuning simple. Available in 0-10v Analog Dimming or DALI digital dimming. The 0-10v continuous dimming method uses two sets of dimming wires. 1 set of dimming wires controls the luminous flux while maintaining consistent color and the other set controls the color in a linear dimming curve. 0-10v is also available as warm dimming that uses 1 set of dimming wires that adjust both intensity and color simultaneously. Alternately control is available with DALI Digital Dimming as well.

REFLECTOR: Specially designed perforated reflector for indirect even fixture illumination.

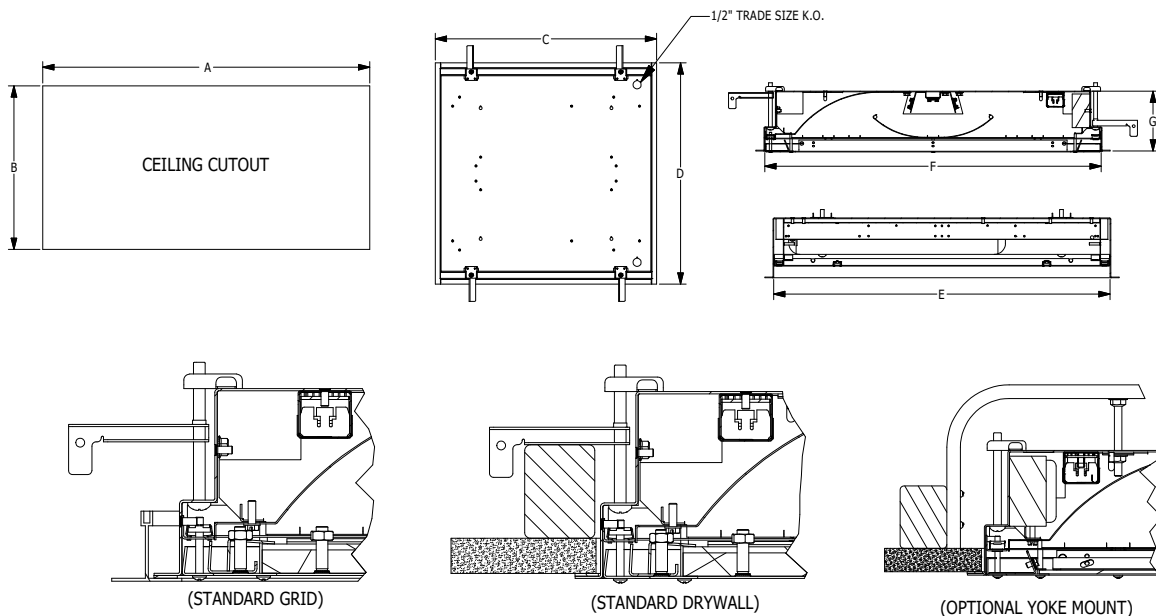
INSTALL RECESSED: One fixture suitable for Grid and Flanged installation. Accommodates 1" T-Bar Grid (Consult factory for 2" T-Bar Grid compatibility). Four adjustable toggle arms with holes for seismic support wire attachment. Supply entry via 1/2" trade size flattened knockouts. Yoke Mount Optional.

FINISH: Gloss white high reflectance 1000 hr. salt spray polyester powder coat finish standard for all housings.

LISTINGS: IP65 rated for dust and water ingress. ETL listed per UL_1598 for wet locations. Chicago Plenum Rated. Drivers and LEDs are covered by a 5 year warranty, the remaining fixture is covered by a 10 year warranty.

PRODUCT DRAWINGS

RECESSED BASKET REFERENCE DIMENSIONS							
SIZE	A	B	C	D	E	F	G
2X2	23.00"	23.00"	23.69"	23.69"	22.50"	22.50"	4.00"
2X4	47.00"	23.00"	47.63"	23.69"	46.50"	22.50"	4.00"



Behavioral Health Troffers - Tunable White

Anti-Ligature 2x2 and 2x4 LED Basket Luminaires for Behavioral Health Facilities.

ENERGY DATA

INDIRECT POLY INSET-FGRS-LED TROFFER (APPROX ¹ LUMENS DELIVERED)						
ENCLOSURE SIZE	LIGHT PACKAGE	Tunable White 80 CRI (4000K)				CCT RANGE
		LUMENS ¹	WATTS ²	EFFICACY	MAX AMB TEMP	
2X2	2LEDTW	2,300	30	77	40°C (104°F)	2700k - 6500k
2X2	3LEDTW	2,900	42	69	40°C (104°F)	2700k - 6500k
2X4	2LEDTW	4,600	60	77	40°C (104°F)	2700k - 6500k
2X4	3LEDTW	5,800	84	69	40°C (104°F)	2700k - 6500k

¹ DELIVERED LUMEN DATA IS CALCULATED BASED OF STATIC WHITE TESTED DATA @ 4000K CCT

² WATTAGE IS MEASURED@ 120vAC AND Tambient = 25C. WATTAGES MAY VARY WITH ALTERNATE CONFIGURATIONS