

Behavioral Health Troffers: VL-SZCD-BH-LED-TW

Ligature Resistant 1x4, 2x2 and 2x4 Surface Mounted LED Luminaires for Behavioral Health Facilities.



- **IP65 Rated**
- **Anti-Ligature Zero Clearance Door Frame Design**
- **Polycarbonate Lensing & Tamper-Resistant Fasteners Standard**
- **0-10V Dimming Down to 1% Standard**
- **B.A.A. & B.A.B.A Compliant & Made in the USA by a Family Owned US Corporation**
- **Available as Warm Dim or as Separately controlled intensity and CCT**
- **Tunable white LEDs allow a full range of CCTS from 2700K - 6500K CCT**



DISCLAIMER: Although KURTZON has prepared the information contained in this document with all due care, KURTZON does not warrant or represent that the information is free from errors or omission. Whilst the information is considered to be true and correct at the date of publication, changes in circumstances after the time of publication may impact on the accuracy of the information. The information may change without notice and KURTZON is not in any way liable for the accuracy of any information printed and stored or in any way interpreted or used.

ORDERING GUIDE

Series	Material	Size	Row Qty.	LED Type	CCT/CRI	Control	Voltage	Optics LED Side / Room Side	Options	
VL-SZCD				LEDTW						
Series	Material	Size	Light Source		Control	Voltage	Optics LED Side / Room Side		Options	
VL-SZCD	1 White CRS Hsg. & White CRS Door	1x4 1x4 Housing	Row Qty.	LED Type	CCT/CRI	10VA 0-10V Analog Control	120V 277V	Prismatic	SW Wet Location Hub Supplied (not installed)	
			1	LEDTW	80 CRI:				827/865 2700K-6500K	1 .125" P12 Prismatic Polycarbonate
	2 White CRS Hsg. & Polished 304 SS Door	2x2 2x2 Housing	2		90+ CRI:	10VWD 0-10V Warm Dim Control	UNV	10KV	2 .140" P12 High Impact Acrylic	PxW * Programmed to User Specified Wattage Value.
			2		927/965 2700K-6500K				3 .156" P12 Polycarbonate	10KV 10KV Parallel Surge Protection (One Supplied Per Circuit)
	3 White 430 SS Hsg. & Polished 304 SS Door	OR	3					4	4 .156" P73 Tempered Glass	GTD Generator Transfer Device
		2x4 2x4 Housing	4						WHIP Must Specify Length and Wire Qty	
	4 White AL Hsg. & Polished 304 SS Door							5	Non-Prismatic	OCCMW Internal Microwave OCC Sensor
									5 .125" Clear Flat Polycarbonate	FC Fuse & Holder (One Supplied Per Circuit)
	7 White AL Hsg. & White CRS Door							6	6 .187" Clear Flat Polycarbonate	EM10 10W Integral LED EM (Specify Input Voltage)
									7 .250" Clear Flat Polycarbonate	EM20 20W Remote LED EM (Specify Input Voltage)
									* Select up to 1 layer of prismatic lensing	TPWHT Taper Resistant Torx Fasteners Painted White
										WHT White Finished Door & HSG
										AMW Anti-Microbial White Powdercoat
										2/ED Two Drivers/Two Circuits
									AH Allen Head SS Tamperproof Fasteners	
									PMB ** Pendant Mounting Bracket (Material & Finish to Match Housing)	

Ordering Notes, If Applicable

Behavioral Health Troffers: VL-SZCD-BH-LED-TW

Ligature Resistant 1x4, 2x2 and 2x4 Surface Mounted LED Luminaires for Behavioral Health Facilities.

SPECIFICATIONS

HOUSING: One piece, hole free, robotically seam welded housing has flattened knockouts for a superior seal. Recessed housings are available in .040" 3003 Aluminum or 20Ga 430 Stainless Steel. Surface housings are available in .050" 3003 Aluminum, 20Ga 430 Stainless Steel, or 20Ga Cold Rolled Steel. Available in nominal 2x2 and 2x4 sizes only.

DOOR FRAME: One piece zero clearance interference fit doorframe regressed into housing and designed to prevent ligature. Secured by captive Torx tamperproof fasteners and hinged to housing with aircraft cables. Available in .040" 3003 Powder coated Alum. , 20Ga 304 Polished SS, or 18Ga 1008 Powder coated CRS.

GASKETS: Closed cell microcellular extruded gasket with vulcanized corners making a one-piece oil and solvent resistant gasket system.

OPTICS: High durability minimum .125" thick inverted prismatic lensing. Lens materials available in polycarbonate or High Impact Acrylic, and factory sealed to door with silicone.

LEDS: Commercially available minimum 80 or 90 CRI 2 channel LED modules use 2700K and 6500K chips to mix color in order to achieve a desired color temperature. Modules have rated lifetime of L70 > 50,000 hrs and efficacy of 165Lm/W . LEDs are controllable via 0-10v dimming, see next page for control options. Consult factory for lumen output configurations not listed on spec sheets.

DRIVERS: Standard Universal Voltage Class 2 drivers are 0-10v Dimmable to 1% and rated -20C (-4F) They come with at least 2.5Kv surge protection, have less than 10% THD at max load, Ballast Factor Greater than .95 and are programmable to match specific lumen or wattage requirements. Drivers with higher input voltage ratings are available, consult factory for driver specifications.

REFLECTOR: Die formed metal with high reflectance white polyester powder coat finish. Typical reflectivity 92%.

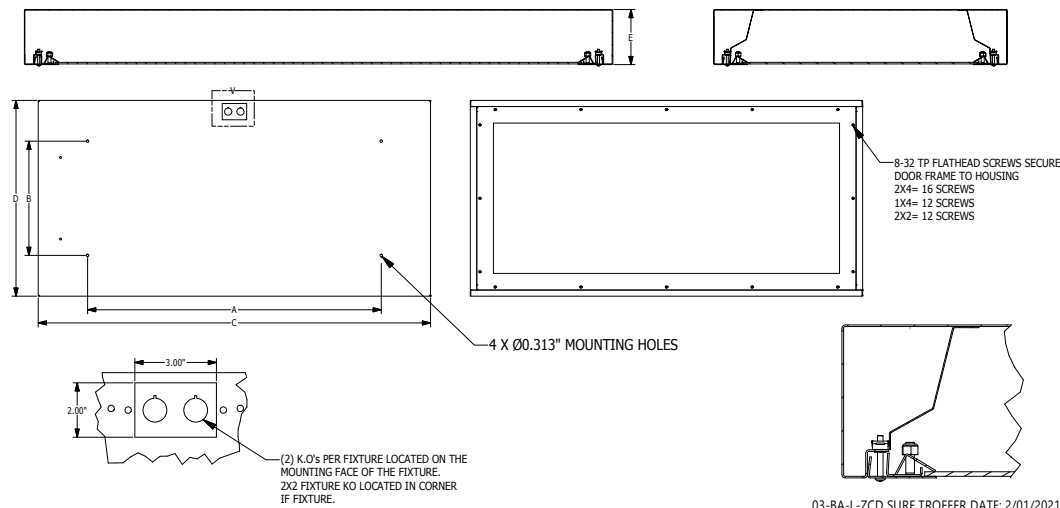
INSTALL: Four .312" dia. mounting holes and a removable gasketed wiring access plate with Supply entry via 1/2" trade size flattened knockouts.

FINISH: Stainless steel door frames are satin polished unless WHT or AMW options are selected. All other materials are provided with gloss high reflectance white polyester powdercoat with 1000hr salt spray test per ASTM B117. AMW option provides a white anti-microbial polyester powder coat to all exposed surfaces.

LISTINGS: IP65 rated for dust and water ingress. Suitable for 1700 PSI high pressure hosedowns. ETL listed per UL_1598 for wet locations. NSF2 Listed for Non-Food & Splash Zones. Drivers and LEDs are covered by a 5 year warranty, the remaining fixture is covered by a 10 year warranty. This product Series is both Build America Buy America (B.A.B.A.) & Buy American Act (B.A.A.) compliant.

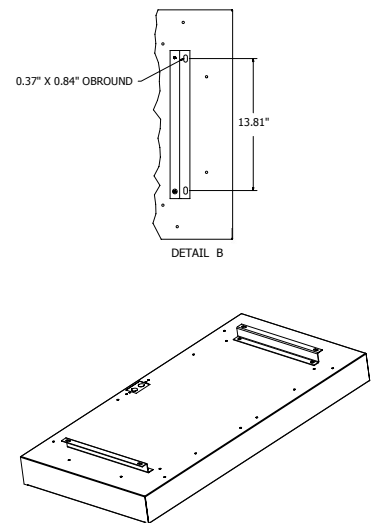
PRODUCT DRAWINGS

"ZCD SURFACE" REFERENCE DIMENSIONS					
SIZE	DIM A	DIM B	DIM C	DIM D	DIM E
1X4	43.00"	4.75"	48.08"	12.00"	4.50"
2X2	12.00"	14.00"	24.08"	24.00"	4.50"
2X4	36.00"	14.00"	48.08"	24.00"	4.50"



MOUNTING

PMB - Pendant Option



Behavioral Health Troffers: VL-SZCD-BH-LED-TW

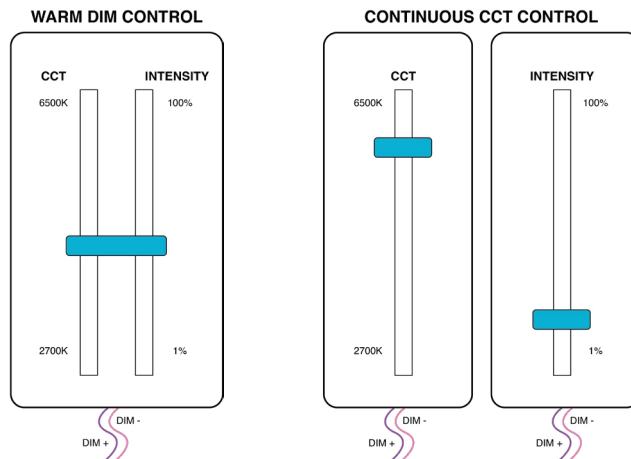
Ligature Resistant 1x4, 2x2 and 2x4 Surface Mounted LED Luminaires for Behavioral Health Facilities.

ENERGY DATA

POLY ZCD-RS-LED TROFFER (APPROX ¹ LUMENS DELIVERED)						
ENCLOSURE SIZE	LIGHT PACKAGE	Tunable White 80 CRI (4000K)				CCT RANGE
		LUMENS ¹	WATTS ²	EFFICACY	MAX AMB TEMP ³	
1X4	1LEDTW	3,015	35	86	40°C (104°F)	2700k - 6500k
1X4	2LEDTW	6,073	68	89	40°C (104°F)	2700k - 6500k
1X4	EM10	860-890	4	NA	40°C (104°F)	NA
2X2	2LEDTW	2,900	35	83	40°C (104°F)	2700k - 6500k
2X2	3LEDTW	4,400	53	83	40°C (104°F)	2700k - 6500k
2X2	4LEDTW	5,600	68	82	40°C (104°F)	2700k - 6500k
2X2	EM10	820-830	4	NA	40°C (104°F)	NA
2X4	2LEDTW	6,600	68	97	40°C (104°F)	2700k - 6500k
2X4	3LEDTW	10,000	103	97	40°C (104°F)	2700k - 6500k
2X4	4LEDTW	13,100	135	97	40°C (104°F)	2700k - 6500k
2X4	EM10	970	4	NA	40°C (104°F)	NA

- ¹ DELIVERED LUMEN DATA IS CALCULATED BASED ON STATIC WHITE PHOTOMETRY @ 4000K CCT
- ² WATTAGE IS MEASURED @ 120vAC AND Tambient = 25C. WATTAGES MAY VARY WITH ALTERNATE CONFIGURATIONS
- ³ MAX AMBIENT TEMP RATING, NON-IC INSTALLATION. RATING MAY VARY WITH OPTIONS SELECTED
- ⁴ 90 MINUTE 10W EMERGENCY DRIVER; LUMENS CALCULATED BASED ON FIXTURE EFFICACY.

CONTROL OPTIONS



Only one set of dimming Leads are required. As Intensity is increased so is the CCT. As intensity decreases the CCT decreases to warmer color Temperatures.

Two set of dimming leads are required. Intensity and CCT of light are controlled independently from one another.