

Behavioral Health Troffers: VL-RB-BH-LED

Anti-Ligature 1x4, 2x2, and 2x4 LED Basket Luminaires for Behavioral Health Facilities

- **IP65 Rated**
- **Indirect Basket for Even Illumination**
- **Anti-Ligature Zero Clearance Door Frame Design**
- **Polycarbonate Lensing and Tamper-Resistant Fasteners Standard**
- **0-10V Dimming Down to 1% Standard**
- **Recessed Housing Suitable for Grid or Flange Installation.**
- **B.A.A. Compliant & Made in the USA by a Family Owned US Corporation**



DISCLAIMER: Although KURTZON has prepared the information contained in this document with all due care, KURTZON does not warrant or represent that the information is free from errors or omission. Whilst the information is considered to be true and correct at the date of publication, changes in circumstances after the time of publication may impact on the accuracy of the information. The information may change without notice and KURTZON is not in any way liable for the accuracy of any information printed and stored or in any way interpreted or used.

ORDERING GUIDE

Series	Material	Size	Row Qty.	LED Type	CCT/CRI	Voltage	Optics	Options	
VL-RB									
Series	Material	Size	Row Qty.	Light Source		Voltage	Optics	Options	
VL-RB	1 White 18Ga. CRS Hsg. & White 18Ga. CRS Door	1x4 1' x 4'	2	LEDR	83 CRI:	120V	125P 0.125" Clear Flat Impact Resistant	SW Wet Location Hub Supplied (not installed)	
		2x2 2' x 2'	3	LEDH	830 3000K	277V	187P 0.187" Clear Flat Impact Resistant	PxL - Programmed to User Specified Lumen Value.	
	2 White 18Ga. CRS Hsg. & Polished 304 SS Door	2x4 2' x 4'							PxW - Programmed to User Specified Wattage Value.
									835 3500K
									WHIP Must Specify Length and Wire Qty
									FC Fuse & Holder (One Supplied Per Circuit)
									EM10 10W Integral LED EM (Specify Input Voltage)
									TPWHT : White Painted Torx Tamperproof Fasteners
									WHT White Finished Door
									AMW Anti-Microbial White Powdercoat
								2/ED Two Drivers/Two Circuits	
								EM20 20W Remote LED EM (Specify Input Voltage)	
								GTD Generator Transfer Device	
								GG 1/8" Thick Grid Gasket (Provided Loose)	
NOTE: Additionally available in 95+ CRI with Seoul Sun-Like LEDs. Consult factory for more information.									
Note*: Specify Value in Ordering Notes									

Ordering Notes, If Applicable

Behavioral Health Troffers: VL-RB-BH-LED

Anti-Ligature 1x4, 2x2, and 2x4 LED Basket Luminaires for Behavioral Health Facilities

SPECIFICATIONS

HOUSING: One piece, hole free, robotically seam welded housing has flattened, knockouts for a superior seal. Housings are available in 18Ga. Cold Rolled Steel with White Powdercoat finish.

DOOR FRAME: One piece zero clearance interference fit doorframe regressed into housing and desigend to prevent ligature. Secured by captive torx tamperproof fasteners and hinged to housing with aircraft cables. Available in Powdercoated 18Ga steel OR Polished 304 Stainless steel.

GASKETS: Closed cell microcellular extruded KleanLock SealPro gasket with vulcanized corners making a one-piece oil and solvent resistant gasket system. GG option provides a loose 1/8" thick adhesive backed gasket intended to adhere to the top face of a suspended grid ceiling for grid profiles that do not already have gasket on them.

OPTICS: Standard .125" Polycarbonate Lens is provided when no other options are selected. All optics are sealed to the door with NSF listed RTV silicone sealant. Other optics are available, consult factory for more information or options not listed.

LEDS: Commercially available in a wide variety of Color Temperature (CCT), FLUX, and CRI. Highly efficient and consistent color maintained to 3 SDMC for color critical applications. B50/L70 and compliant with Zhaga recognized hole patterns. Consult factory for LED options or configurations not listed below.

DRIVERS: Standard Universal Voltage Class 2 drivers are 0-10v Dimmable to 1% for most LED configurations. They come with at least 2.5Kv surge protection, have less than 10% THD at max load, Ballast Factor Greater than .95 and are programmable to match specific lumen or wattage requirements. Drivers with higher input voltage ratings are available, consult factory for driver specifications.

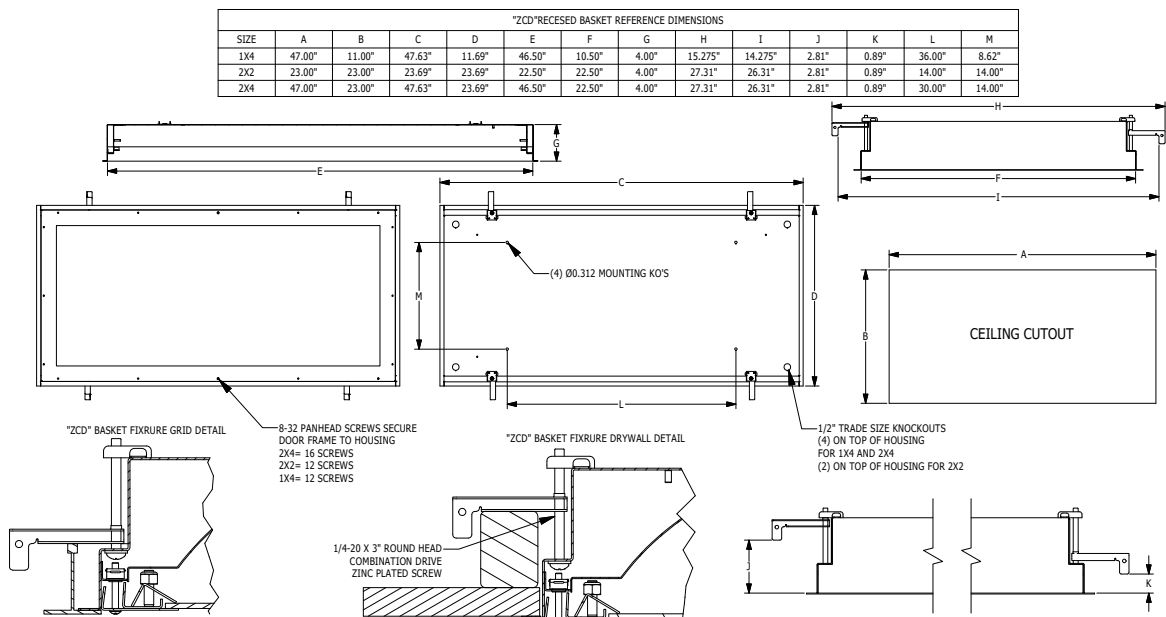
REFLECTOR: Specially designed perforated reflector for indirect even fixture illumination.

INSTALLATION: One fixture suitable for Grid and Flanged installation. Accommodates 1" T-Bar Grid (Consult factory for 2" T-Bar Grid compatibility). Four adjustable toggle arms with holes for seismic support wire attachment. Supply entry via 1/2" trade size flattened knockouts. Yoke Mount Optional. Suitable for recessed Non-IC installations.

FINISH: Stainless Steel Door frames are Satin polished unless WHT or AMW Options are selected. All other materials are provided with glass high refelctance white polyester powdercoat with 1000hr salt spray test per ASTMB117. AMW option provides a white-microbial polyester powdercoat to all exposed surfaces.

LISTINGS: IP65 rated for dust and water ingress. ETL listed per UL_1598 for wet locations. Chicago Plenum Rated. Drivers and LEDs are covered by a 5 year warranty,

PRODUCT DRAWINGS



03-BB-L-ZCD REC BASKET DWG. DATE: 2/01/2021

Behavioral Health Troffers: VL-RB-BH-LED

Anti-Ligature 1x4, 2x2, and 2x4 LED Basket Luminaires for Behavioral Health Facilities

ENERGY DATA

INDIRECT VL-RS-LED TROFFER (APPROX ¹ LUMENS DELIVERED)										
ENCLOSURE SIZE	LIGHT PACKAGE	80 CRI (3000K - 5000K)				90 CRI (3500K, 4000K)				STANDARD DIMMING
		LUMENS ¹	WATTS ²	EFFICACY ³	MAX AMB TEMP	LUMENS ¹	WATTS ²	EFFICACY ³	MAX AMB TEMP ⁴	
1X4	2LEDR	3,640	56	65	40°C (104°F)	3,489	56	63	40°C (104°F)	0-10V 1%
1X4	3LEDR	5,065	83	61	40°C (104°F)	4,855	83	58	40°C (104°F)	0-10V 1%
1X4	2LEDH	5,594	83	67	40°C (104°F)	5,371	83	64	40°C (104°F)	0-10V 1%
1X4	3LEDH	7,785	126	62	35°C (95°F)	7,474	126	60	35°C (95°F)	0-10V 1%
2X2	2LEDR	1,858	28.9	64	40°C (104°F)	1,781	28.7	62	40°C (104°F)	0-10V 1%
2X2	3LEDR	2,717	42.3	64	40°C (104°F)	2,604	41.9	62	40°C (104°F)	0-10V 1%
2X2	2LEDH	2,856	42.2	68	40°C (104°F)	2,742	42.1	65	40°C (104°F)	0-10V 1%
2X2	3LEDH	4,225	62.6	67	40°C (104°F)	4,056	62.5	65	40°C (104°F)	0-10V 1%
2X4	2LEDR	4,004	55.7	72	40°C (104°F)	3,838	55.3	69	40°C (104°F)	0-10V 1%
2X4	3LEDR	5,701	83.4	68	40°C (104°F)	5,465	82.8	66	40°C (104°F)	0-10V 1%
2X4	2LEDH	6,155	83.3	74	40°C (104°F)	5,909	83.1	71	40°C (104°F)	0-10V 1%
2X4	3LEDH	9,135	125.5	73	35°C (95°F)	8,770	125.2	70	35°C (95°F)	0-10V 1%

- ¹ DELIVERED LUMEN DATA IS ADJUSTED FROM TESTED DATA WITH .125" POLYCARB LENS
- ² WATTAGE IS MEASURED WITH 4000K SELECTION @ 120vAC AND Tambient = 25C. WATTAGES MAY VARY WITH ALTERNATE CONFIGURATIONS
- ³ EFFICACY CALCULATED USING 4000K CCT DATA.
- ⁴ MAX AMBIENT TEMP RATING, NON-IC INSTALLATON. TEMP RATING MAY VARY WITH SPECIFIED DRIVERS OR ANY NON STANDARD SELECTION