

# Behavioral Health Troffers: VL-RB-BH-LED-TW

Ligature Resistant 1x4, 2x2, and 2x4 LED Basket Luminaires for Behavioral Health Facilities



- **IP65 Rated**
- **Indirect Basket for Even Illumination**
- **Anti-Ligature Zero Clearance Door Frame Design**
- **Polycarbonate Lensing and Tamper-Resistant Fasteners Standard**
- **0-10V Dimming Down to 1% Standard**
- **Recessed Housing Suitable for Grid or Flange Installation.**
- **B.A.A. & B.A.B.A Compliant & Made in the USA by a Family Owned US Corporation**
- **Available as Warm Dim or as Separately controlled intensity and CCT**
- **Tunable white LEDs allow a full range of CCTS from 2700K - 6500K CCT**



DISCLAIMER: Although KURTZON has prepared the information contained in this document with all due care, KURTZON does not warrant or represent that the information is free from errors or omission. Whilst the information is considered to be true and correct at the date of publication, changes in circumstances after the time of publication may impact on the accuracy of the information. The information may change without notice and KURTZON is not in any way liable for the accuracy of any information printed and stored or in any way interpreted or used.

## ORDERING GUIDE

Series	Material	Size	Row Qty.	LED Type	CCT/CRI	Control	Voltage	Optics	Options
<b>VL-RB</b>				<b>LEDTW</b>					
Series	Material	Size	Row Qty.	LED Type	CCT/CRI	Control	Voltage	Optics	Options
<b>VL-RB</b>	1 White 18Ga. CRS Hsg. & White 18Ga. CRS Door	1x4 1x4 Housing	2	<b>LEDTW</b>	<b>80 CRI:</b> 827/865 2700K-6500K	10VA 0-10V Analog Control	120V 125P 0.125" Clear Flat Impact Resistant Polycarbonate	277V 187P 0.187" Clear Flat Impact Resistant Polycarbonate	SW Wet Location Hub Supplied (not installed)
		2x2 2x2 Housing	3						
	2 White 18Ga. CRS Hsg. & Polished 304 SS Door	OR	4		<b>90+ CRI:</b> 927/965 2700K-6500K	10VWD 0-10V Warm Dim Control	UNV 250P 0.250" Clear Flat Impact Resistant Polycarbonate		PxL * Programmed to User Specified Lumen Value.
		2x4 2x4 Housing							10KV 10KV Parallel Surge Protection (One Supplied Per Circuit)
									GTD Generator Transfer Device
									WHIP Must Specify Length and Wire Qty
									OCCMW Internal Microwave OCC Sensor
									FC Fuse & Holder (One Supplied Per Circuit)
									EM10 10W Integral LED EM (Specify Input Voltage)
									EM20 20W Remote LED EM (Specify Input Voltage)
									TPWHT Taper Resistant Torx Fasteners Painted White
									WHT White Finished Door & HSG
									AMW Anti-Microbial White Powdercoat
									2/ED Two Drivers/Two Circuits
									AH Allen Head SS Tamperproof Fasteners
									Note*: Specify Value in Ordering Notes Below

Ordering Notes, If Applicable

# Behavioral Health Troffers: VL-RB-BH-LED-TW

Ligature Resistant 1x4, 2x2, and 2x4 LED Basket Luminaires for Behavioral Health Facilities

## SPECIFICATIONS

**HOUSING:** One piece, hole free, robotically seam welded housing has flattened, knockouts for a superior seal. Housings are available in 18Ga. Cold Rolled Steel with White Powdercoat finish.

**DOOR FRAME:** One piece zero clearance interference fit doorframe regressed into housing and desigend to prevent ligature. Secured by captive torx tamperproof fasteners and hinged to housing with aircraft cables. Available in Powdercoated 18Ga steel OR Polished 304 Stainless steel.

**GASKETS:** Closed cell microcellular extruded KleanLock SealPro gasket with vulcanized corners making a one-piece oil and solvent resistant gasket system. GG option provides a loose 1/8" thick adhesive backed gasket intended to adhere to the top face of a suspended grid ceiling for grid profiles that do not already have gasket on them.

**LENS:** High durability minimum .125" thick clear polycarbonate. Factory sealed to door with silicone. Other options available.

**LEDS:** Commercially available minimum 80 or 90 CRI 2 channel LED modules use 2700K and 6500K chips to mix color in order to achieve a desired color temperature. Modules have rated lifetime of L70 > 50,000 hrs and efficacy of 165Lm/W . LEDs are controllable via 0-10v dimming, see next page for control options. Consult factory for lumen output configurations not listed on spec sheets.

**DRIVERS:** Standard Universal Voltage Class 2 drivers are 0-10v Dimmable to 1% for most LED configurations. They come with at least 2.5Kv surge protection, have less than 10% THD at max load, Ballast Factor Greater than .95 and are programmable to match specific lumen or wattage requirements. Drivers with higher input voltage ratings are available, consult factory for driver specifications.

**REFLECTOR:** Specially designed perforated reflector for indirect even fixture illumination.

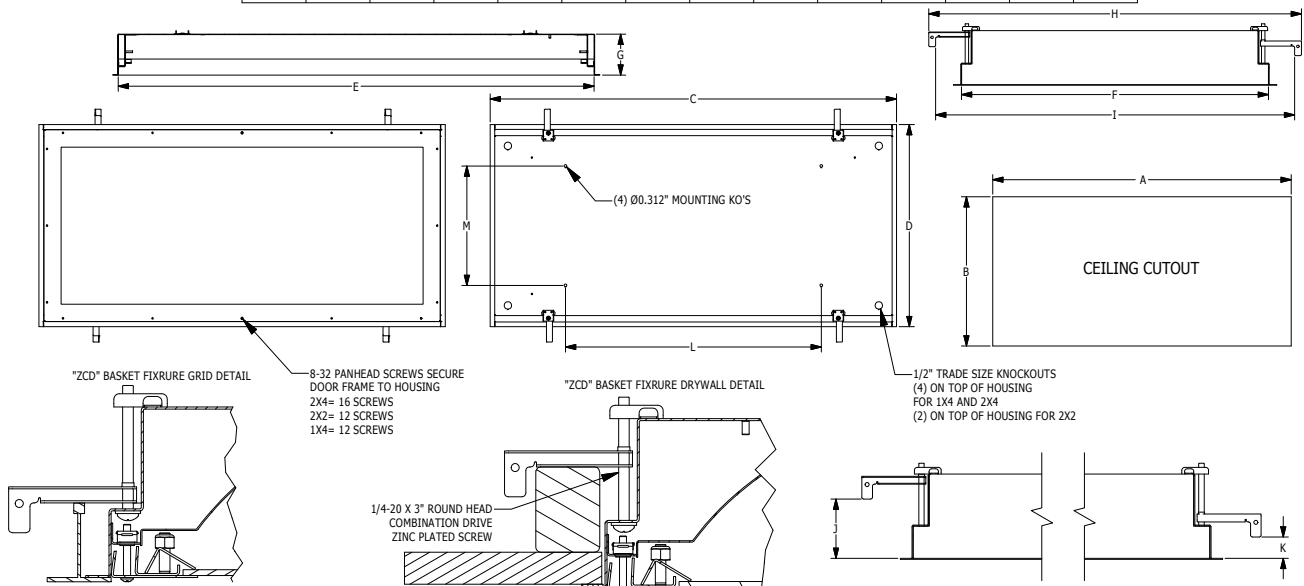
**INSTALL:** One fixture suitable for Grid and Flanged installation. Accommodates 1" T-Bar Grid (Consult factory for 2" T-Bar Grid compatibility). Four adjustable toggle arms with holes for seismic support wire attachment. Supply entry via 1/2" trade size flattened knockouts. Yoke Mount Optional.

**FINISH:** Stainless steel door frames are satin polished unless WHT or AMW options are selected. All other materials are provided with gloss high reflectance white polyester powdercoat with 1000hr salt spray test per ASTM B117. AMW option provides a white anti-microbial polyester powder coat to all exposed surfaces.

**LISTINGS:** IP65 rated for dust and water ingress. ETL listed per UL\_1598 for wet locations. Chicago Plenum Rated. Drivers and LEDs are covered by a 5 year warranty, the remaining fixture is covered by a 10 year warranty. This product Series is both Build America Buy America (B.A.B.A.) & Buy American Act (B.A.A.) compliant.

## PRODUCT DRAWINGS

*ZCD* RECESSED BASKET REFERENCE DIMENSIONS													
SIZE	A	B	C	D	E	F	G	H	I	J	K	L	M
1X4	47.00"	11.00"	47.63"	11.69"	46.50"	10.50"	4.00"	15.275"	14.275"	2.81"	0.89"	36.00"	8.62"
2X2	23.00"	23.00"	23.69"	23.69"	22.50"	22.50"	4.00"	27.31"	26.31"	2.81"	0.89"	14.00"	14.00"
2X4	47.00"	23.00"	47.63"	23.69"	46.50"	22.50"	4.00"	27.31"	26.31"	2.81"	0.89"	30.00"	14.00"



03-BB-L-ZCD REC BASKET DWG. DATE: 2/01/2021

# Behavioral Health Troffers: VL-RB-BH-LED-TW

Ligature Resistant 1x4, 2x2, and 2x4 LED Basket Luminaires for Behavioral Health Facilities

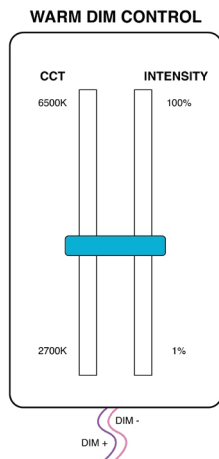
## ENERGY DATA

INDIRECT POLY INSET-FGRS-LED TROFFER (APPROX <sup>1</sup> LUMENS DELIVERED)						
ENCLOSURE SIZE	LIGHT PACKAGE	Tunable White 80 CRI (4000K)				CCT RANGE
		LUMENS <sup>1</sup>	WATTS <sup>2</sup>	EFFICACY	MAX AMB TEMP	
2X2	2LEDTW	2,300	30	77	40°C (104°F)	2700k - 6500k
2X2	3LEDTW	2,900	42	69	40°C (104°F)	2700k - 6500k
2X4	2LEDTW	4,600	60	77	40°C (104°F)	2700k - 6500k
2X4	3LEDTW	5,800	84	69	40°C (104°F)	2700k - 6500k

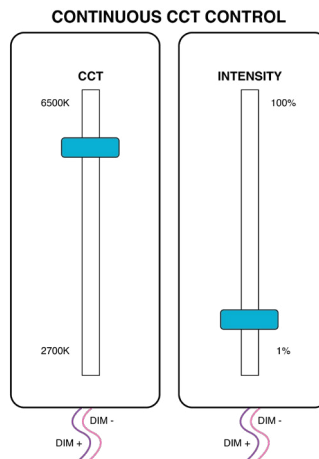
<sup>1</sup> DELIVERED LUMEN DATA IS CALCULATED BASED OF STATIC WHITE TESTED DATA @ 4000K CCT

<sup>2</sup> WATTAGE IS MEASURED @ 120vAC AND Tambient = 25C. WATTAGES MAY VARY WITH ALTERNATE CONFIGURATIONS

## CONTROL OPTIONS



Only one set of dimming Leads are required. As Intensity is increased so is the CCT. As intensity decreases the CCT decreases to warmer color Temperatures.



Two set of dimming leads are required. Intensity and CCT of light are controlled independently from one another.