

Behavioral Health Downlight

Recessed Sealed 6" Aperture LED Downlight For Behavioral Health Facilities

- **IP65 Rated**
- **Tamper Resistant Hardware Standard**
- **Polycarbonate Lens Standard**
- **Anti-Ligature Construction**
- **Up to 3400 Lumens Delivered**
- **Dimmable to 1%**
- **Lutron Dimming Options**
- **Made in the USA by a Family Owned US Corporation**



DISCLAIMER: Although KURTZON has prepared the information contained in this document with all due care, KURTZON does not warrant or represent that the information is free from errors or omission. Whilst the information is considered to be true and correct at the date of publication, changes in circumstances after the time of publication may impact on the accuracy of the information. The information may change without notice and KURTZON is not in any way liable for the accuracy of any information printed and stored or in any way interpreted or used.

ORDERING GUIDE

Series	Installation Type	Material	Size	LED Selection	CRI/CCT Selection	Voltage	Baffle	Door (Trim)	Options
VL									
VL	PBD: Recessed (Suitable for Flange & Grid)	4: Non-Magnetic	8: 8" Housing	DLM15: 1500Lm Package DLM20: 2000Lm Package DLM30: 3000Lm Package NOTE: Lumen packages are nominal, verify actual values on the energy data chart.	80 CRI 830: 80 CRI 3000K 835: 80 CRI 3500K 840: 80 CRI 4000K 850: 80 CRI 5000K 90 CRI 930: 90 CRI 3000K 935: 90 CRI 3500K 940: 90 CRI 4000K	UNV: 120V-277V	WB: White Grooved Baffle BB: Black Grooved Baffle NB: Nickel Baffle SR: Specular Reflector	WT: White Painted Trim ST: Polished Stainless Trim	10KV: 10kv Surge Protection FF: Fuse and Fuse Holder FPL: .118" Frost Polycarbonate Lens EM7: Remote Mount 7W Battery Pack (Specify Input Voltage) LDE1: Lutron Hi-Lume 1% Ecosystem LED Driver SOFTB TPWHT: White Painted Torx Tamper-proof Fasteners .25LEX: .250" Clear Flat Polycarbonate Lens RFI: Supplied with Radio Frequency Interference Filter PxL: Programmed to User Specified Lumen Value. PxW: Programmed to User Specified Wattage Value.

Behavioral Health Downlight

Recessed Sealed 6" Aperture LED Downlight For Behavioral Health Facilities

SPECIFICATIONS

HOUSING: Stainless steel body and spun aluminum housing and plaster frame.

DOOR FRAME: .080" Aluminum or 16Ga stainless steel formed with continuous lens hold-down system. Secured to housing with flush head Torx tamperproof fasteners. See options for other screw options.

GASKETS: One piece gasket located at interface of door to housing silicone seals the door to the lens.

REFLECTOR: Supplied with a wide variety of baffles and reflectors. See options for availability.

LENS: Clear non-prismatic .125" thick polycarbonate lens mechanically secured and silicone sealed to door frame. Optionally available with frosted polycarbonate lens.

LED: LEDs are available in several lumen configurations as well as 80 & 90 CRI. Up to 3400 Lumens delivered and supplied with an integrated heatsink to maintain thermal efficiency and prolong the life of the light engine.

ELECTRICAL: Integrated constant current static low voltage DC commercially available driver designed specifically for LED array. Driver has 0-10V dimming control to 1%. See options for specified drivers, Lutron controls compatible driver, or other electrical component availability.

INSTALLATION: Four adjustable L-brackets allow for seismic support and secure attachment to metal T-Bars, joists or structural metal framing. Sealed 1/2 inch trade size knockouts for wiring. Suitable for 1, 1.5 and 2 inch T-bar widths as well as drywall or plaster ceilings. Suitable for NON-IC installation.

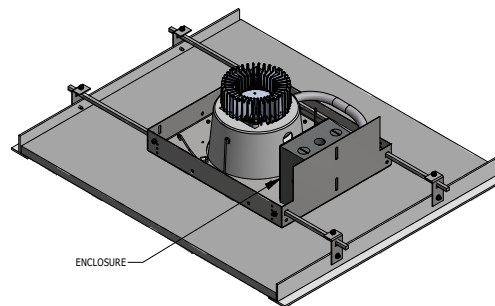
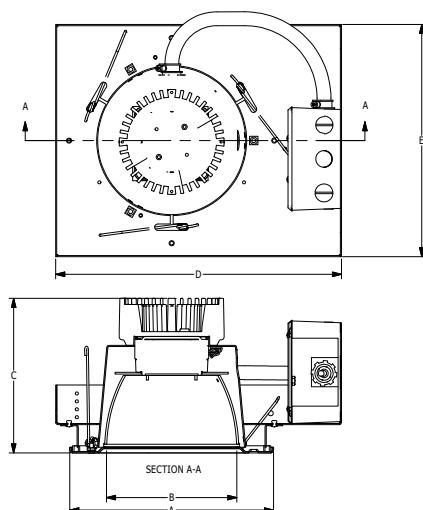
FINISH: Antimicrobial white polyester powder coat on doorframe surface. Stainless steel trims are satin polished.

LISTINGS: ETL Listed for Wet Locations. Suitable for non-IC installation. IP-65 dust and water jet resistance. IBEW Union Label.

5/10 YEAR WARRANTY: The driver(s), LED's and EM packs are covered by a five (5) year warranty. The remaining fixture is covered by a ten (10) year warranty. See warranty statement at kurtzon.com for complete details.

PRODUCT DRAWINGS

DOWNLIGHT REFERENCE DIMENSIONS						
MODEL	DIM A	DIM B	DIM C	DIM D	DIM E	DIM F
SBD/IBD	9.00"	5.75"	6.85"	12.65"	10.25"	26.00"



12-AA-L-DOWNLIGHT DWG DATE: 4/11/2107

Behavioral Health Downlight

Recessed Sealed 6" Aperture LED Downlight For Behavioral Health Facilities

ENERGY DATA

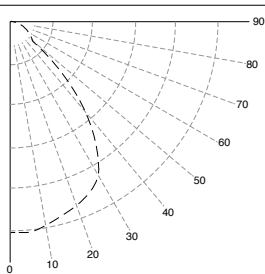
SEALED LED DOWNLIGHT						
LIGHT PACKAGE	CRI	DELIVERED LUMENS (Lm) ¹	WATTAGE (W) ²	EFFICACY (LM/W)	DIMMING AVAILABILITY	MAX AMBIENT TEMP (°C) ³
DLM15	80+	1,536	18	85.3	0-10V 1%	40°C (104°F)
DLM15	90+	1,532	21	73.0	0-10V 1%	40°C (104°F)
DLM20	80+	2,117	21	100.8	0-10V 1%	40°C (104°F)
DLM20	90+	2,047	30	68.2	0-10V 1%	40°C (104°F)
DLM30	80+	3,454	42	82.2	0-10V 1%	40°C (104°F)
DLM30	90+	3,277	51	64.3	0-10V 1%	40°C (104°F)
EM7	NA	440-570Lm	4	NA	0-10V 1%	35°C (95°F)

- 1: DELIVERED LUMEN DATA IS EXTRAPOLATED FROM MEASURED DATA @25C WITH NO EXTRA OPTIONS.
- 2: WATTAGE IS MEASURED @ 120vAC AND Tambient = 25C. WATTAGES MAY VARY AND WHEN OPTIONS ARE SELECTED
- 3: MAX TEMP RATING IS WITH NO OTHER OPTIONS SELECTED.(NON-IC)

PHOTOMETRICS

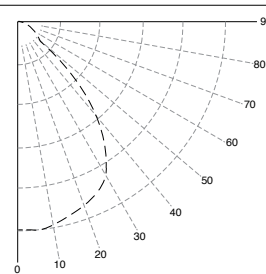
VL-PBD-4-8-DLM15-940-UNV-WBWT

Report No: 20577.0
 Total Lumens: 1,532
 Wattage: 20.537
 Efficacy: 74.6 (Lumens Per Watt)
 Fixture Size: 6"
 Key:
 - - - - - 0
 45
 _____ 90



VL-PBD-4-8-DLM20-940-UNV-WBWT

Report No: 20579.0
 Total Lumens: 2,047
 Wattage: 29.487
 Efficacy: 69.4 (Lumens Per Watt)
 Fixture Size: 6"
 Key:
 - - - - - 0
 45
 _____ 90



VL-PBD-4-8-DLM30-940-UNV-WBWT

Report No: 20581.0
 Total Lumens: 3,277
 Wattage: 50.812
 Efficacy: 64.5 (Lumens Per Watt)
 Fixture Size: 6"
 Key:
 - - - - - 0
 45
 _____ 90

