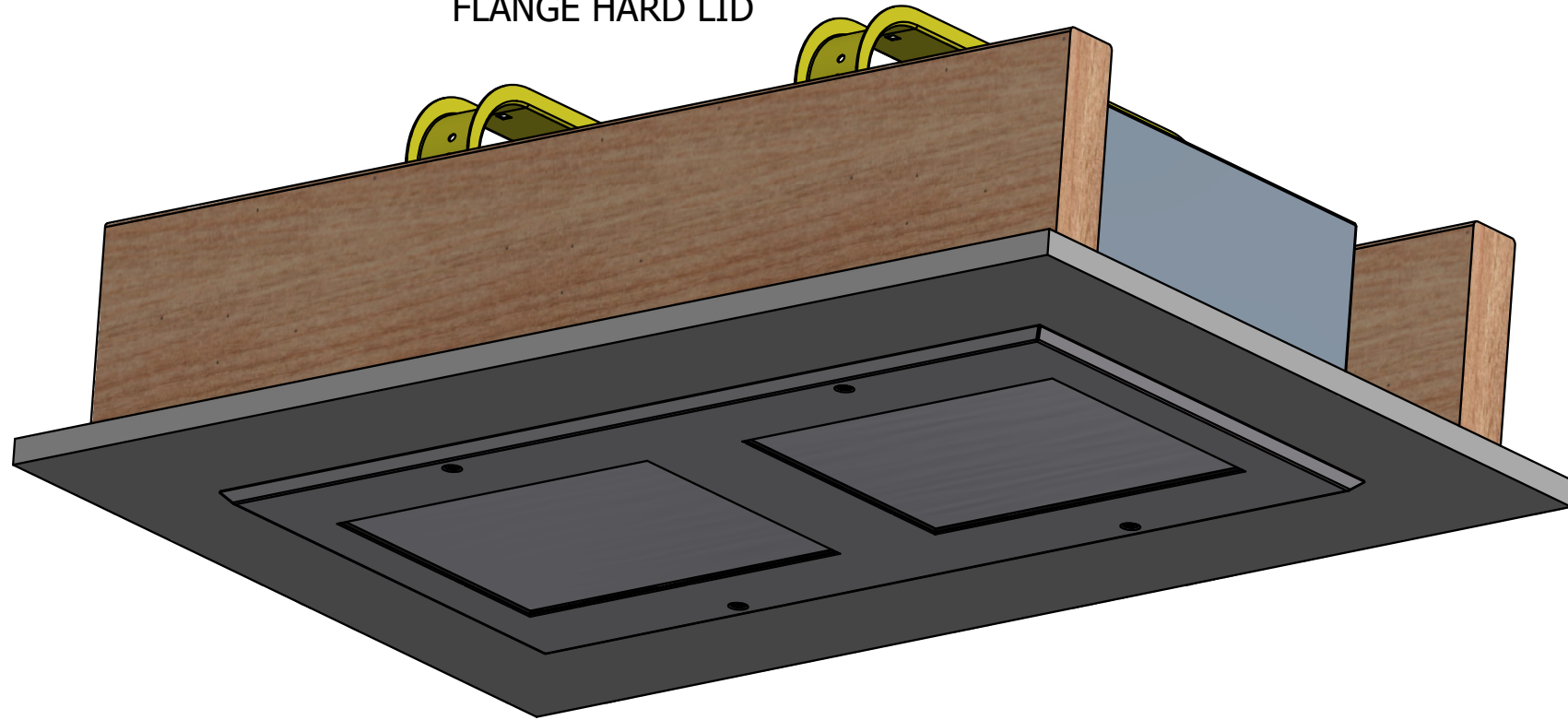
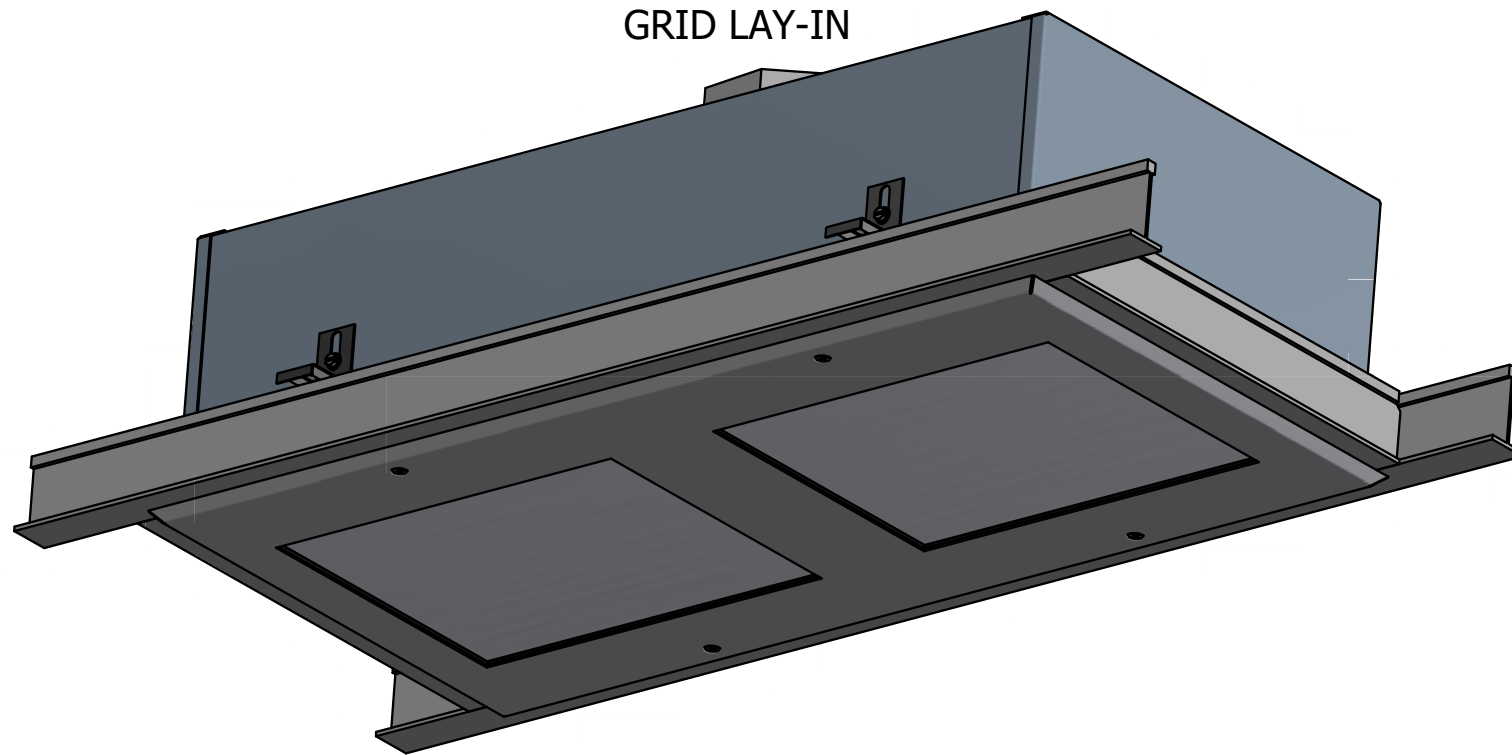


FLANGE HARD LID



GRID LAY-IN



HARDWARE INCLUDED



-----YOKE: (2) INCLUDED FOR 1X2
(1) INCLUDED FOR 1X1



CARRIAGE BOLTS: -----(2) PCS



1/4-20 FLANGE SPEED NUT----- (4)PCS



8-32 NUT:----- (4) PCS



8-32 X 3/4" SCREW: -----(4)PCS

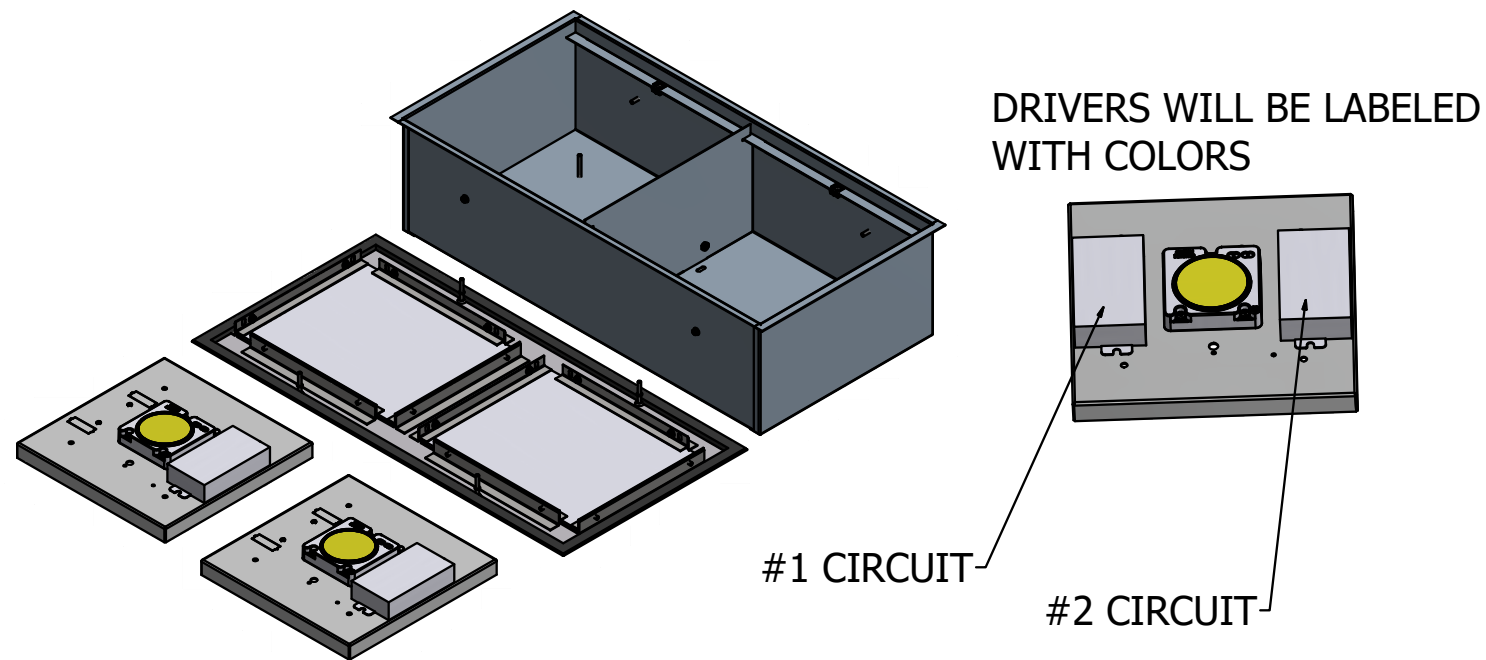
This drawing and all information on it, unless otherwise stated, the property of Kurtzon Lighting. Reproduction or retransmission of the materials, in whole or in part, in any manner, is prohibited without the prior written consent of Kurtzon Lighting.

SCALE: DO NOT SCALE	DESCRIPTION: INSTALLATION DETAILS	PART #: DKS--INSTALLATION INSTRUCTION
	APPROVED BY:	APPROVED DATE:
	DRAWN BY: RefugioR	DATE: 7/7/2020
TOLERANCES: UNITS: INCHES ANGULAR BEND ± 2° ANGULAR MACH ± .5° 0.0 ± .05 0.00 ± .030 0.000 ± .015	MATERIAL: MAKE TO ORDER	KURTZON LIGHTING 1420 S TALMAN AVE CHICAGO, IL 60608 WWW.KURTZON.COM
	REV: 0	SHEET: 1

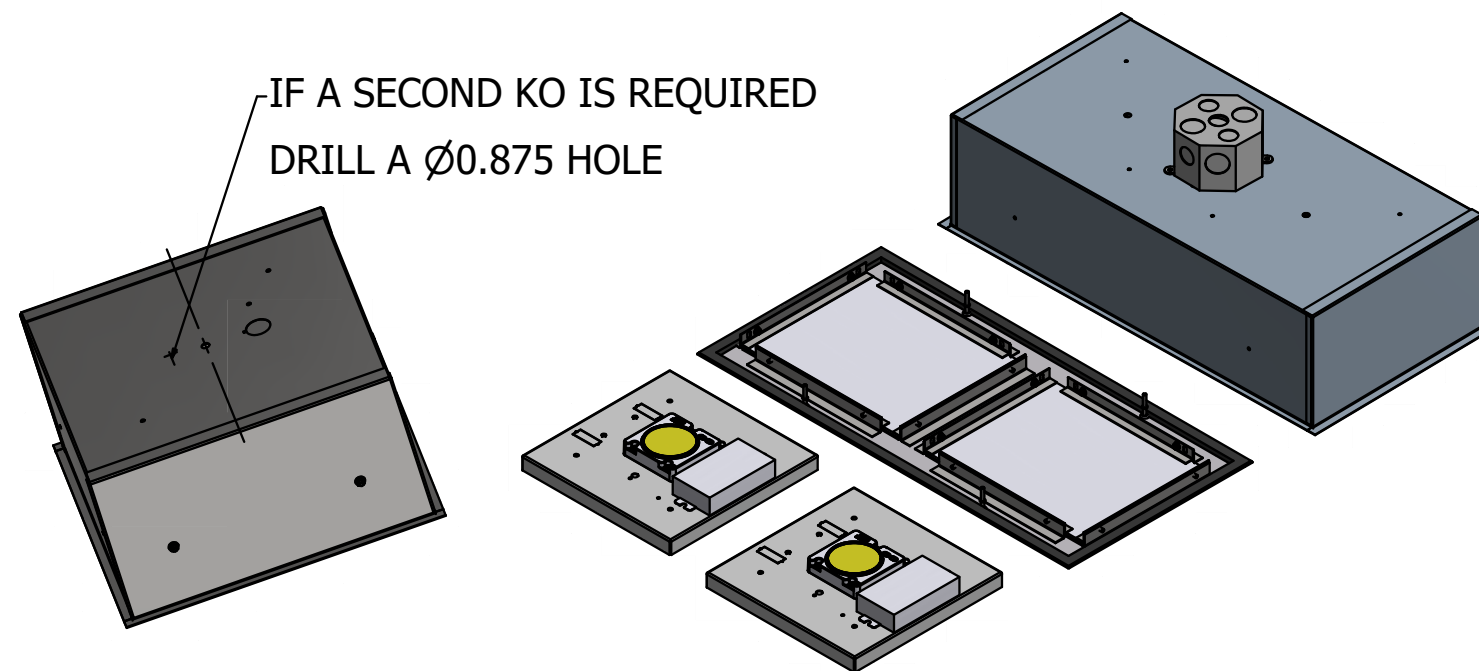


FOR FLANGE INSTALLATION

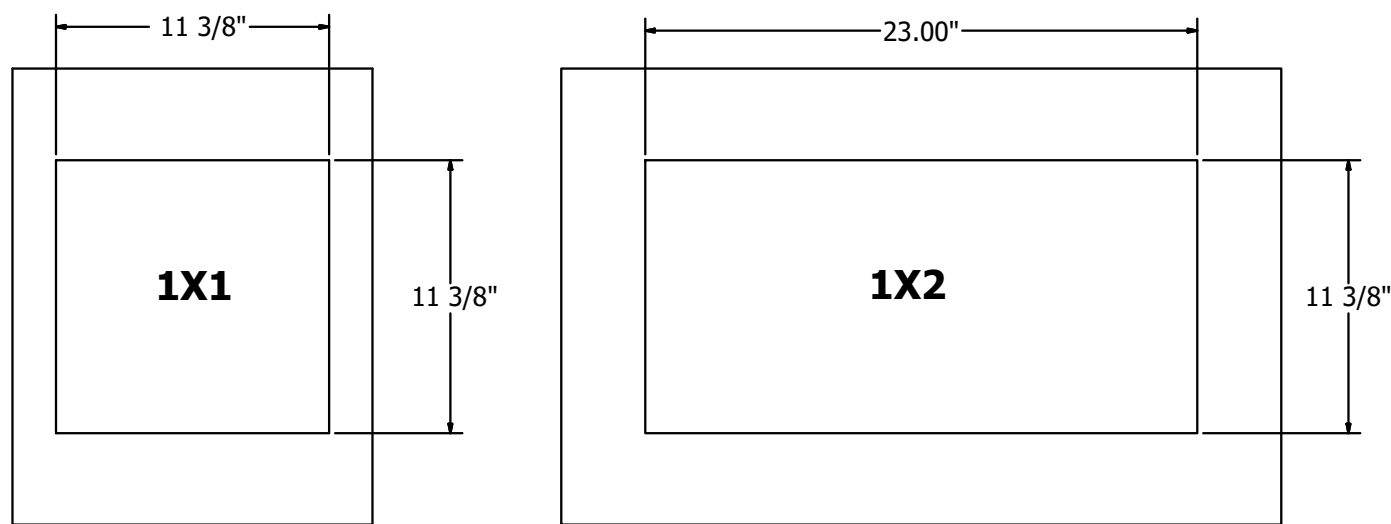
STEP 1: OPEN FIXTURE REMOVE INTERNAL REFLECTORS AND IDENTIFY CIRCUITS (EACH COMPARTMENT MAY HAVE UP TO 2 CIRCUITS)



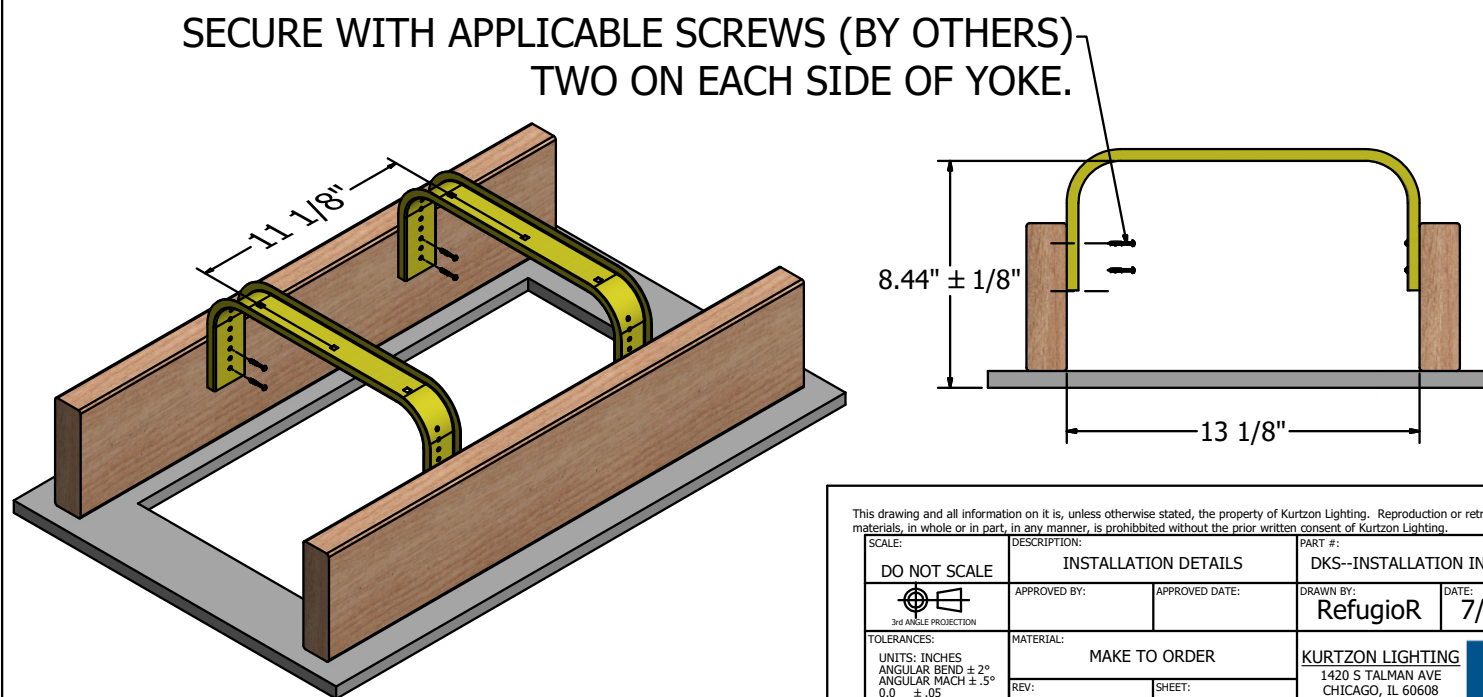
STEP 2: SELECT KNOCKOUT. MULTIPLE KNOCKOUTS MAY BY REQUIRED.



STEP 3: CUT HOLE IN CEILING



STEP: 4 REINFORCE AND INSTALL YOKE. (USE REFERENCE DIMENSION BELOW)

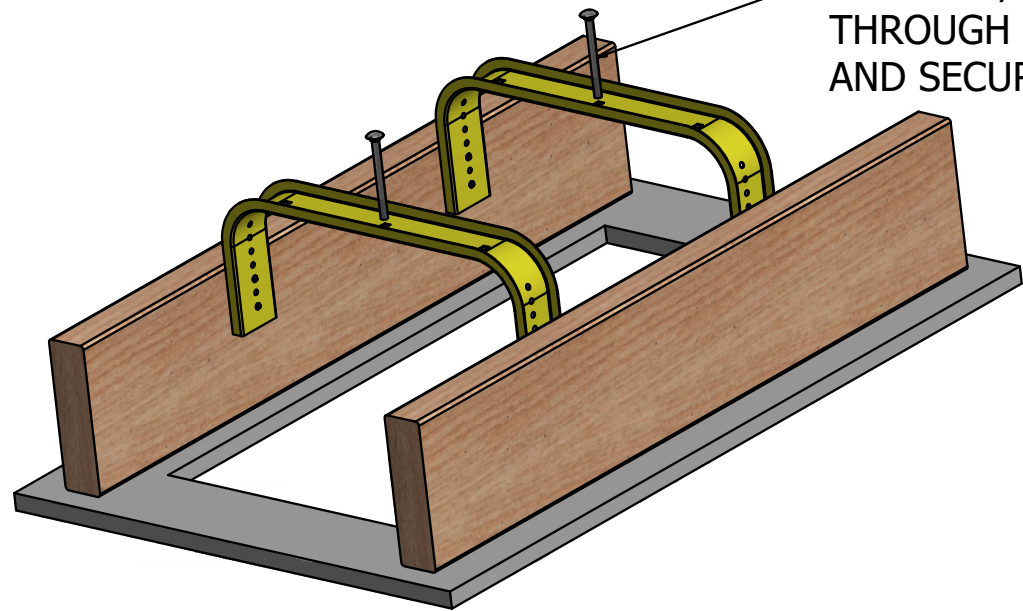


This drawing and all information on it, unless otherwise stated, the property of Kurtzon Lighting. Reproduction or retransmission of the materials, in whole or in part, in any manner, is prohibited without the prior written consent of Kurtzon Lighting.

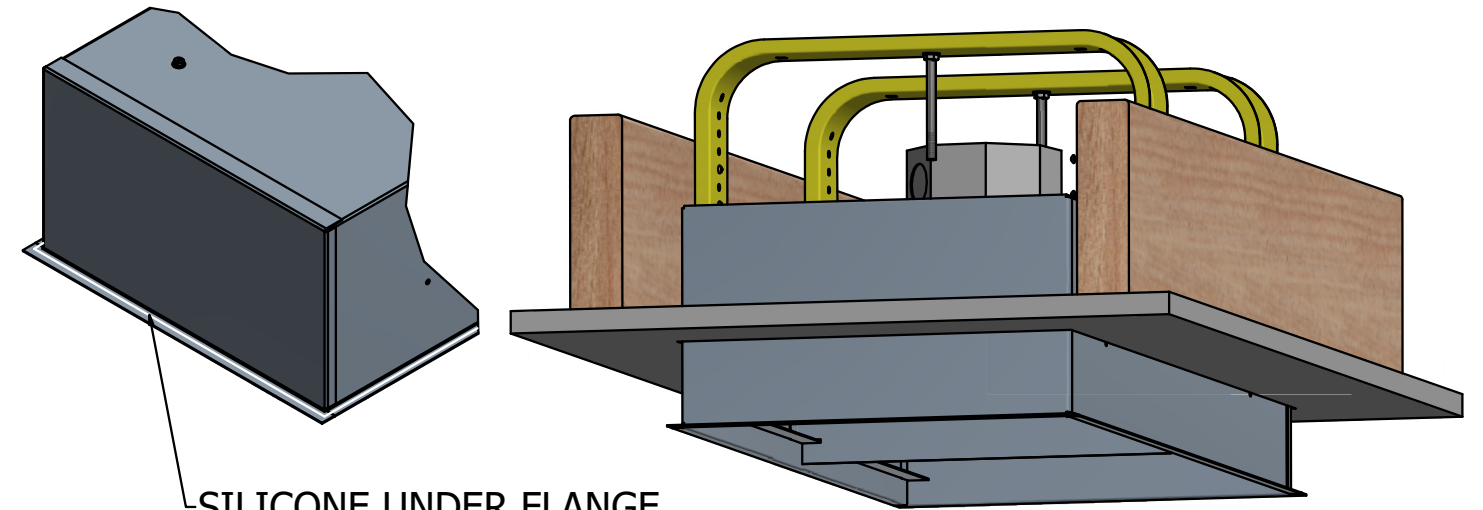
SCALE: DO NOT SCALE	DESCRIPTION: INSTALLATION DETAILS	PART #: DKS--INSTALLATION INSTRUCTION
APPROVED BY: 	APPROVED DATE:	DRAWN BY: RefugioR
TOLERANCES: UNITS: INCHES ANGULAR BEND ± 2° ANGULAR MACH ± .5° 0.0 ± .05 0.00 ± .030 0.000 ± .015	MATERIAL: MAKE TO ORDER	DATE: 7/7/2020
REV: 0	SHEET: 2	KURTZON LIGHTING 1420 S TALMAN AVE CHICAGO, IL 60608 WWW.KURTZON.COM

STEP 5: INSTALL YOKE HARDWARE

INSTALL 1/4-20 CARRIAGE BOLTS THROUGH SQUARE HOLES IN YOKE(S) AND SECURE WITH PROVIDED NUTS.

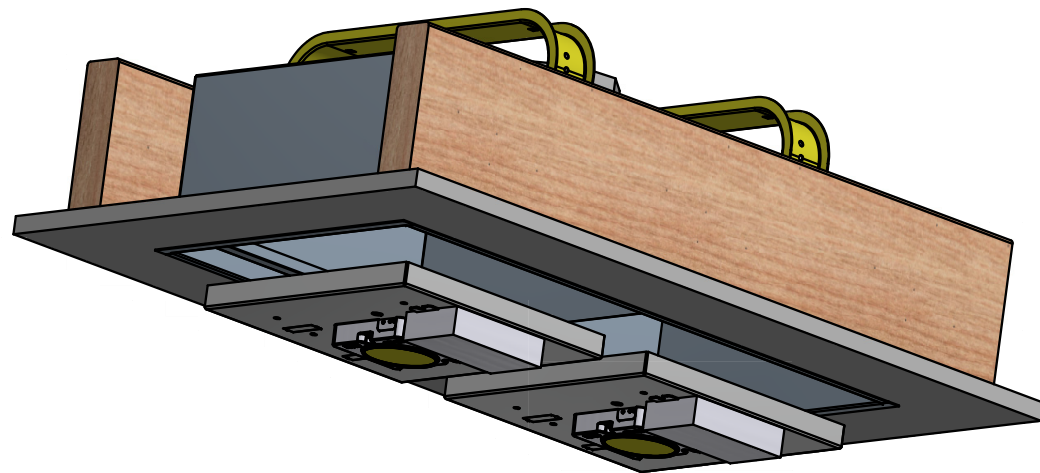


STEP 6: INSTALL FIXTURE

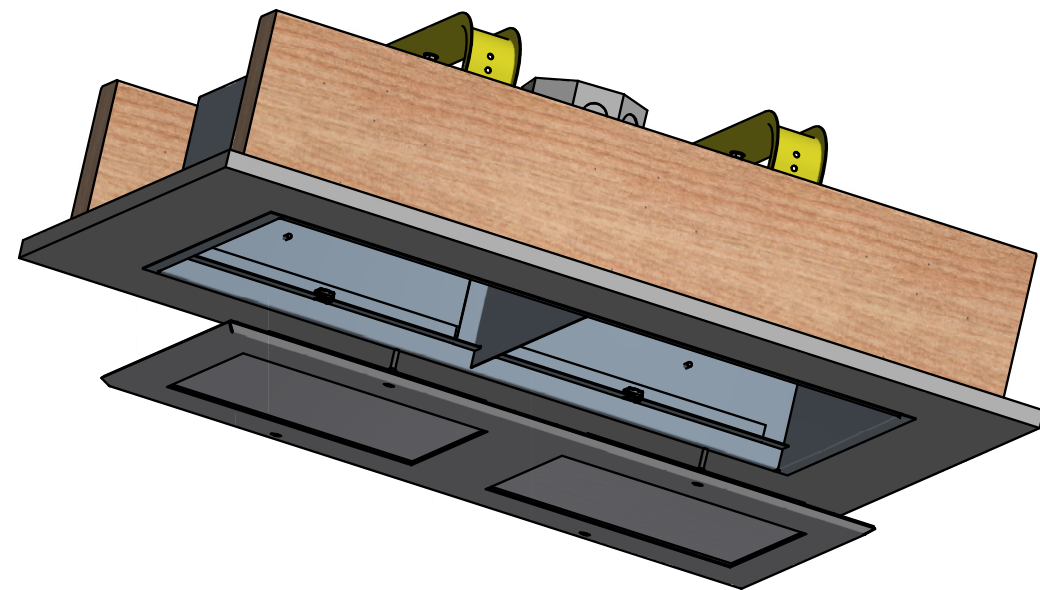


SILICONE UNDER FLANGE THEN TIGHTEN YOKE NUTS TO PULL FIXTURE INTO CEILING


STEP 7: MAKE FINAL WIRING CONNECTIONS AND INSTALL LED PLATE



STEP 8: INSTALL DOOR FRAME

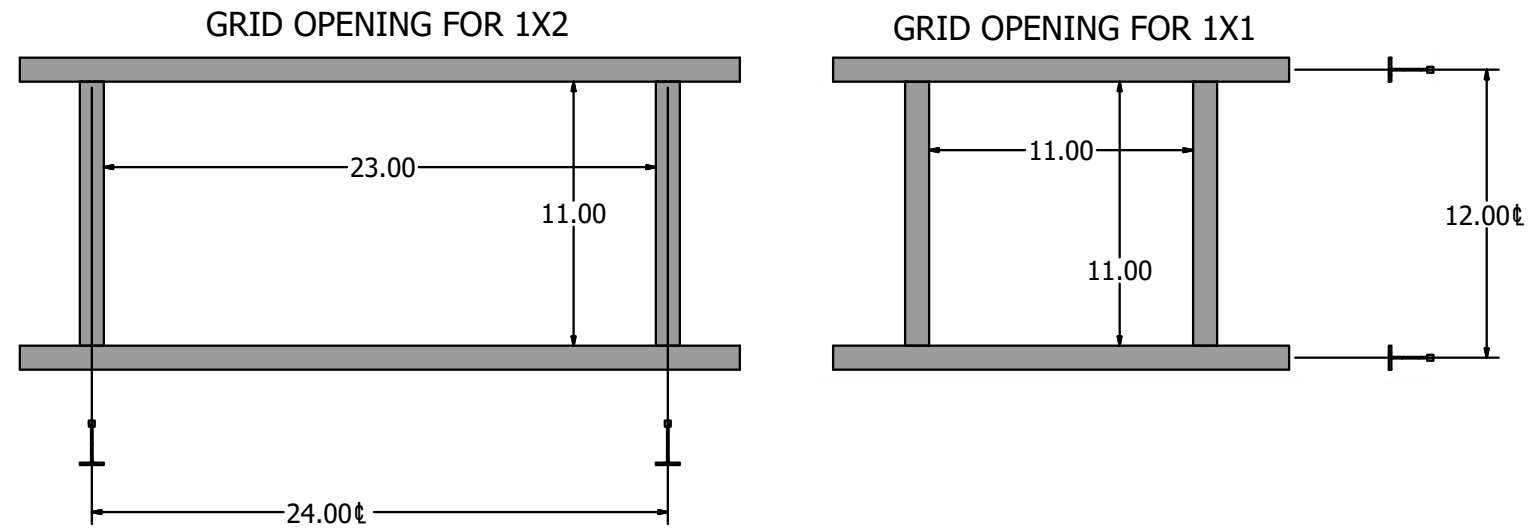


This drawing and all information on it, unless otherwise stated, the property of Kurtzon Lighting. Reproduction or retransmission of the materials, in whole or in part, in any manner, is prohibited without the prior written consent of Kurtzon Lighting.

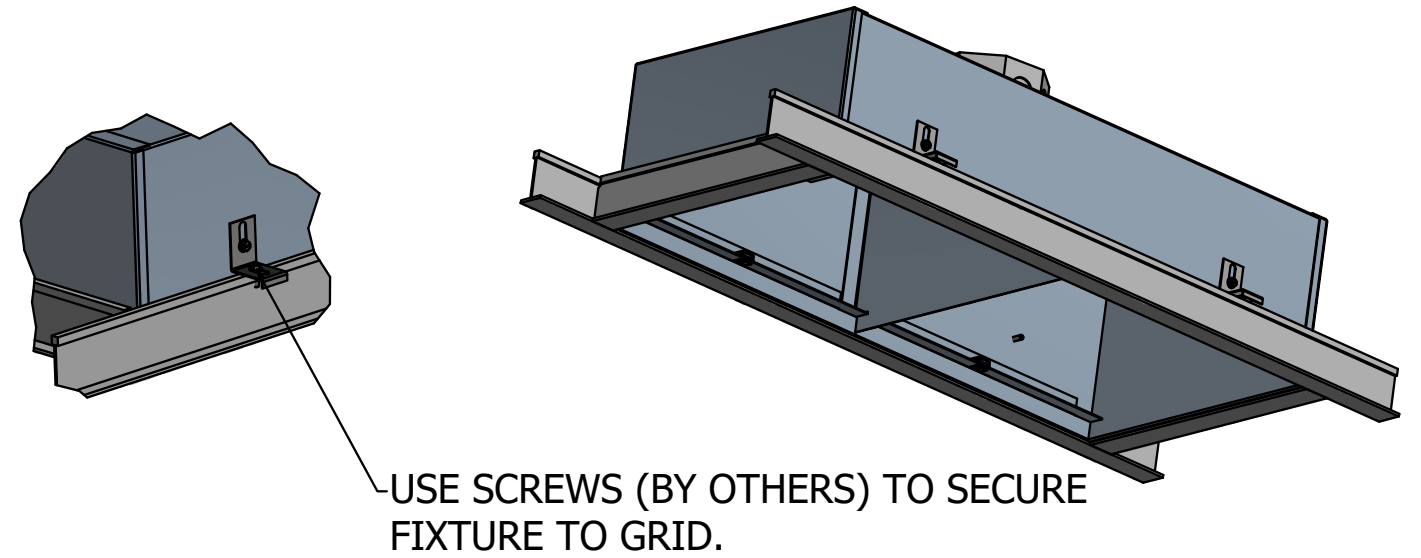
SCALE: DO NOT SCALE	DESCRIPTION: INSTALLATION DETAILS	PART #: DKS--INSTALLATION INSTRUCTION
TOLERANCES: UNITS: INCHES ANGULAR BEND ± 2° ANGULAR MACH ± .5° 0.0 ± .05 0.00 ± .030 0.000 ± .015	MATERIAL: MAKE TO ORDER	REV: 0 SHEET: 3
APPROVED BY:	APPROVED DATE:	DRAWN BY: RefugioR DATE: 7/7/2020
KURTZON LIGHTING 1420 S TALMAN AVE CHICAGO, IL 60608 WWW.KURTZON.COM		

FOR GRID INSTALLATION, REPEAT STEP 1-2 FROM FLANGE INSTALLATION

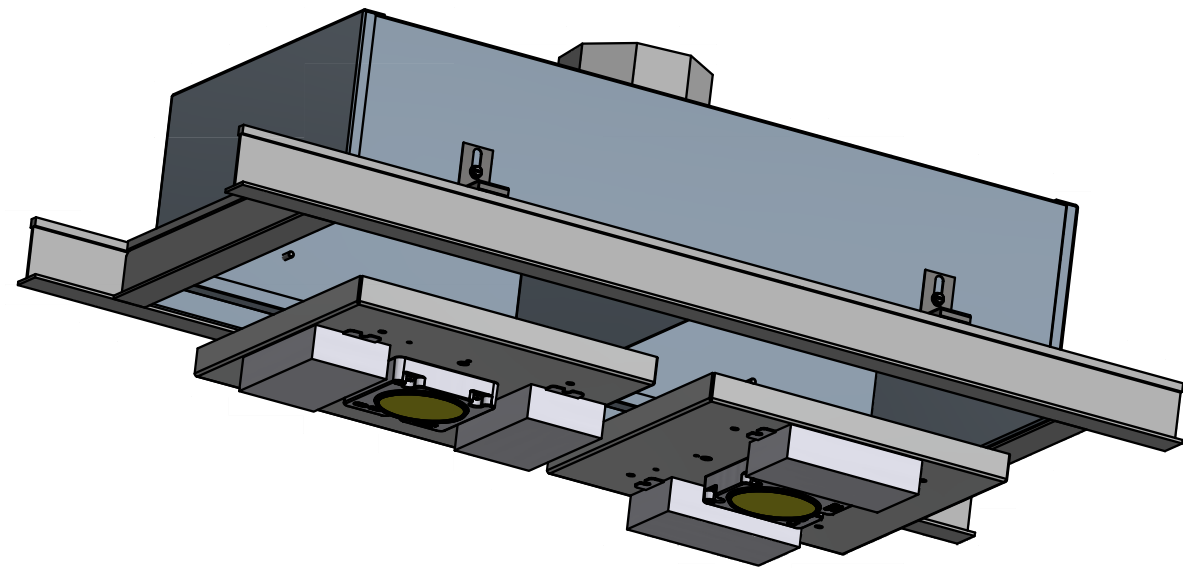
STEP 3: PREPARE THE GRID FRAME
TYPICAL GRID OPENINGS BELOW.
VERIFY FIT USING REFERENCE DIMENSION ON
PRODUCT SPEC SHEET.



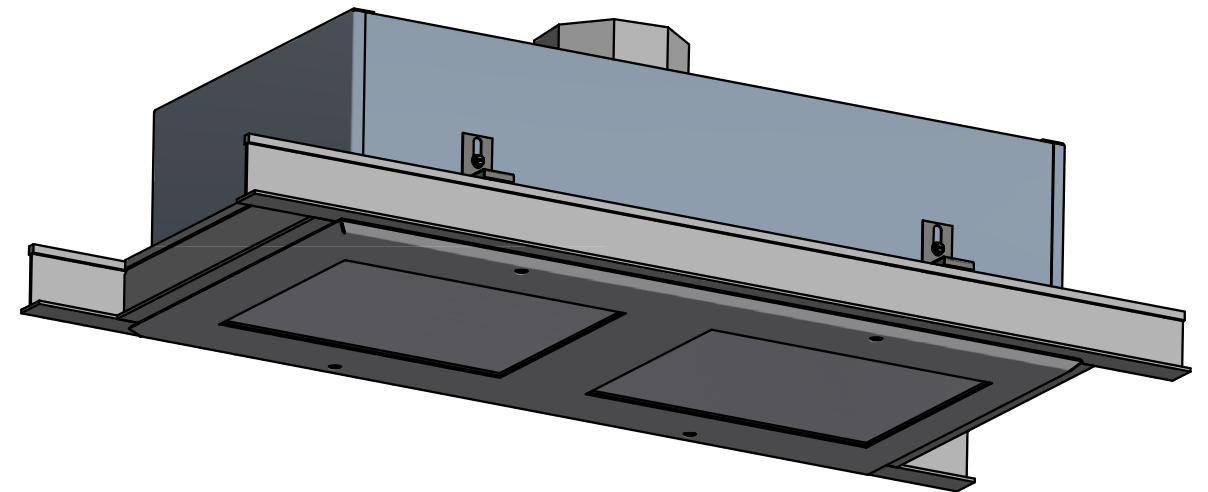
STEP 4: LAY THE FIXTURE INTO THE GRID AND ADJUST
BRACKETS TO SEAT ON GRID. THEN TIGHTEN THE SCREWS.



STEP 5: MAKE FINAL WIRING CONNECTIONS AND INSTALL LED PLATES



STEP 6: INSTALL DOOR FRAME



This drawing and all information on it, unless otherwise stated, the property of Kurtzon Lighting. Reproduction or retransmission of the materials, in whole or in part, in any manner, is prohibited without the prior written consent of Kurtzon Lighting.

SCALE: DO NOT SCALE	DESCRIPTION: INSTALLATION DETAILS	PART #: DKS--INSTALLATION INSTRUCTION
TOLERANCES: UNITS: INCHES ANGULAR BEND ± 2° ANGULAR MACH ± .5° 0.0 ± .05 0.00 ± .030 0.000 ± .015	MATERIAL: MAKE TO ORDER	DATE: 7/7/2020
REV: 0	SHEET: 4	DRAWN BY: RefugioR
KURTZON LIGHTING 1420 S TALMAN AVE CHICAGO, IL 60608 WWW.KURTZON.COM		