

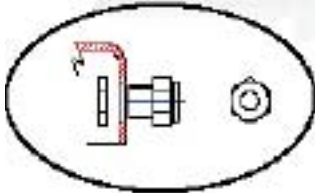
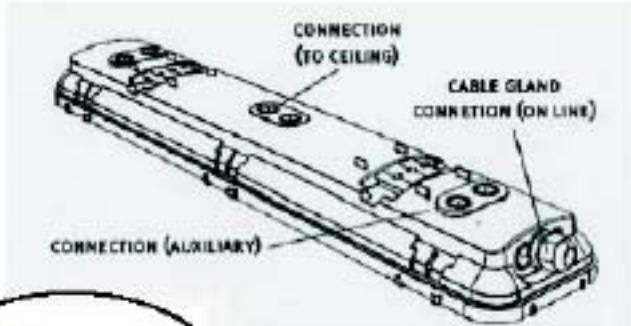
WL-SEG-7 Series

Installation Instructions:

These fixtures must be installed to conform with NEC and all local electrical & building codes.

Disconnect Supply before installing or servicing.

1. Install the Cable Strain Relief if Required.



Using the nut supplied, locate the Strain Relief through the end opening and secure.

If the end opening is not used, close it with the hole plug supplied.

2. Mount the fixture.

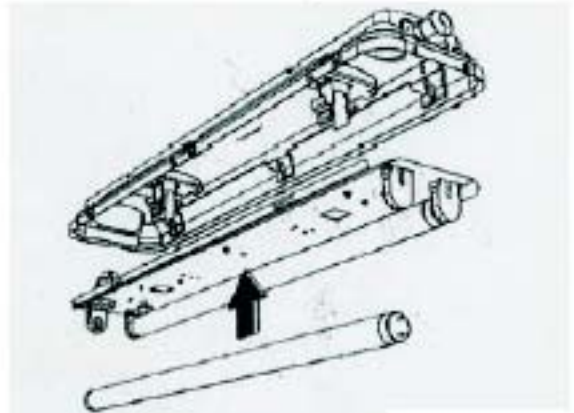


Using a suitable anchor device, affix the mounting clips directly to the mounting surface, or in conjunction with the cable support clip supplied

3. Make the electrical connections:

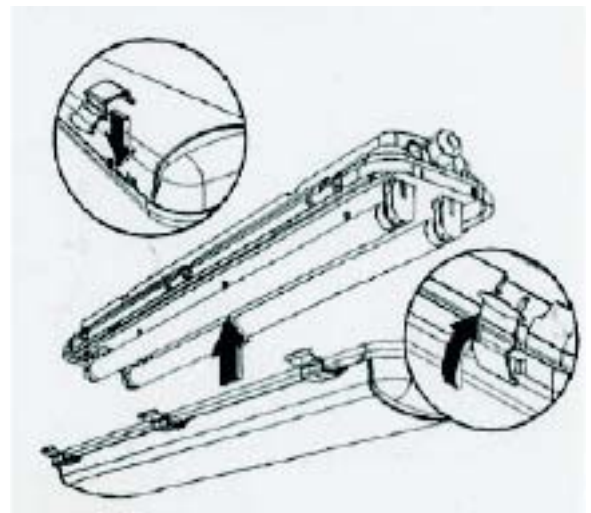
Green to Ground, White to Common, Black to Incoming Line Voltage.

4. Locate and snap the reflector assembly onto the internal center clamps



5. Install the correct lamps as marked.

6. Install the clips supplied onto the lens. Locate and clip the lens assembly to the unit. Maintenance



Voltage: 120V to 277V
Suitable for Wet Location
UL & CUL Listed.

Project: _____
 Fixture Type: _____
 Catalog Number: _____
 Approved by: _____

