

# Indoor Sports Lighting Brochure



Innovators in  
Lighting Since 1898

Made In The USA 

# Kurtzon Lighting

[www.Kurtzon.com](http://www.Kurtzon.com)





### 1. HID Suspended Indirect Lighting

#### Indirect Lighting System

Provides high levels of glare-free illumination and outstanding uniformity.

#### Weep Holes

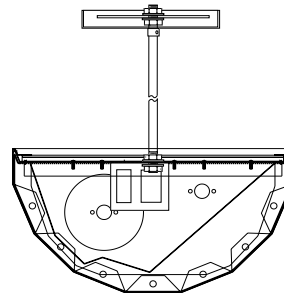
Provided to eliminate condensation in the luminaire.

#### Construction

20 gauge stainless steel for maximum protection from the chlorine and moisture laden pool atmosphere.

#### Optional

Available with corner and intersection modules for continuous row mounting.



### 2. Handball and Racquetball Fluorescent Ceiling Downlighting

#### Unsurpassed Design and Fabrication Standards

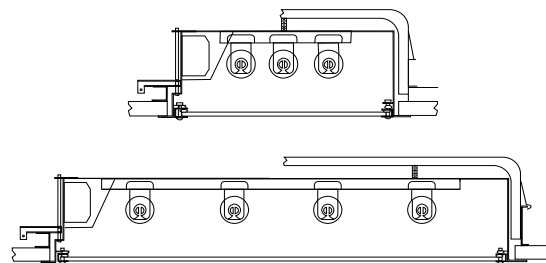
These products utilize proven shockproof and impact resistant features such as locking lampholders and inverted tempered glass diffusers set in flush steel frames. These features are required to withstand impact and not affect ball flight.

#### Superior Lamp Characteristics

Fluorescent lamps provide low glare and less noise compared to point sources, thus ensuring player comfort. Fluorescent lamps are switchable and dimmable more efficiently than HID.

#### Optional

Asymmetric Reflector.



### 3. HID Wall and Ceiling Mount Indirect or Off Set

#### Adherence to Close Tolerances

Our unsurpassed design and fabrication standards result in a sealed product to protect the electrical components from pool environments.

#### 20-Gauge Stainless Steel

The housing and door frame features:

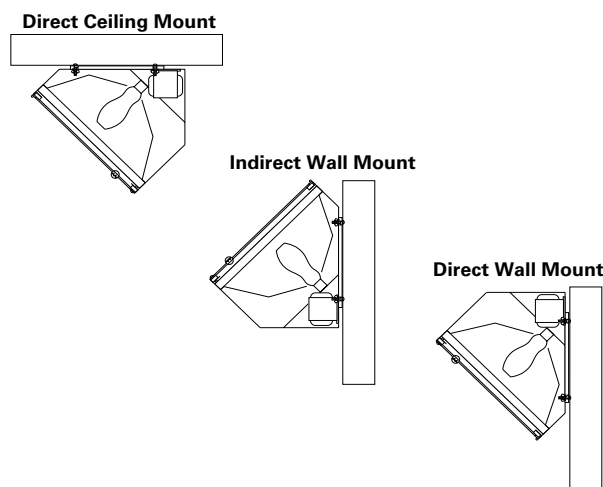
- SS Construction - provides the best resistance to corrosion available to the specifier.
- Staked, stainless steel continuous piano hinge door.
- Captive, stainless steel fasteners.
- All parts powder coated white

#### Superior Area Lighting

HID lighting aimed at an angle from perimeter of the pool area, provides a simplified lighting installation. This provides easy maintenance of fixtures.

#### Optional

Glare Shield



Kurtzon Lighting / Quality Since 1898

Made In The USA



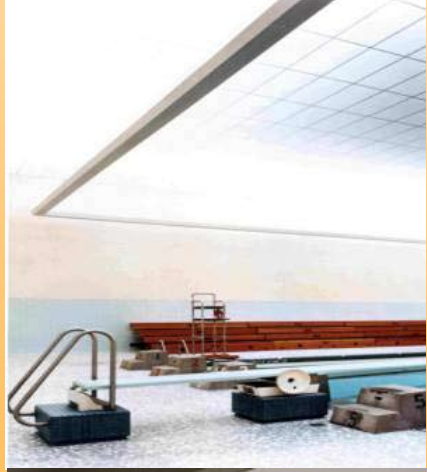
Morris Kurtzon, Incorporated  
1420 South Talman Avenue, Chicago, Illinois 60608  
773/312/277-2121 FAX 773/277-9164  
Website - www.kurtzon.com

© 2010



# Indoor Sports Applications

- Racquetball Courts
- Basketball Courts
- Handball Courts
- Squash Courts
- Locker Rooms
- Steam Rooms
- Natatoriums
- Universities
- Rec Center
- Hospitals
- Schools
- Hotels
- Gyms





## Product Featured: IS-SK45

Pool lighting is a specialty application for a number of manufacturers, but Kurtzon has created solutions for these environments for decades.

Early in the 1970's, the National Board of the YMCA executed a complete review of all its nation-wide facilities, due to increased liability costs and changing demographics. The Board, in its Facilities Sub-Committee, determined that a major upgrade of its sports facilities was indicated, including the use of stainless steel in all metal parts associated with wet/damp/corrosive environments. Kurtzon was approached by the YMCA BFS or Building & Furnishing Service and requested to provide a complete series of products using the then new-HID lamp; at the time, a bold decision due to the lack of field experience with HID. A copy of this letter is available on request.

The products thus created were a single name specification for the national YMCA.

These products have placed Kurtzon at the forefront of custom stainless steel lighting for sports facilities.

# Placement of lighting fixtures around a pool.

## Why can't you place fixtures directly above the water?

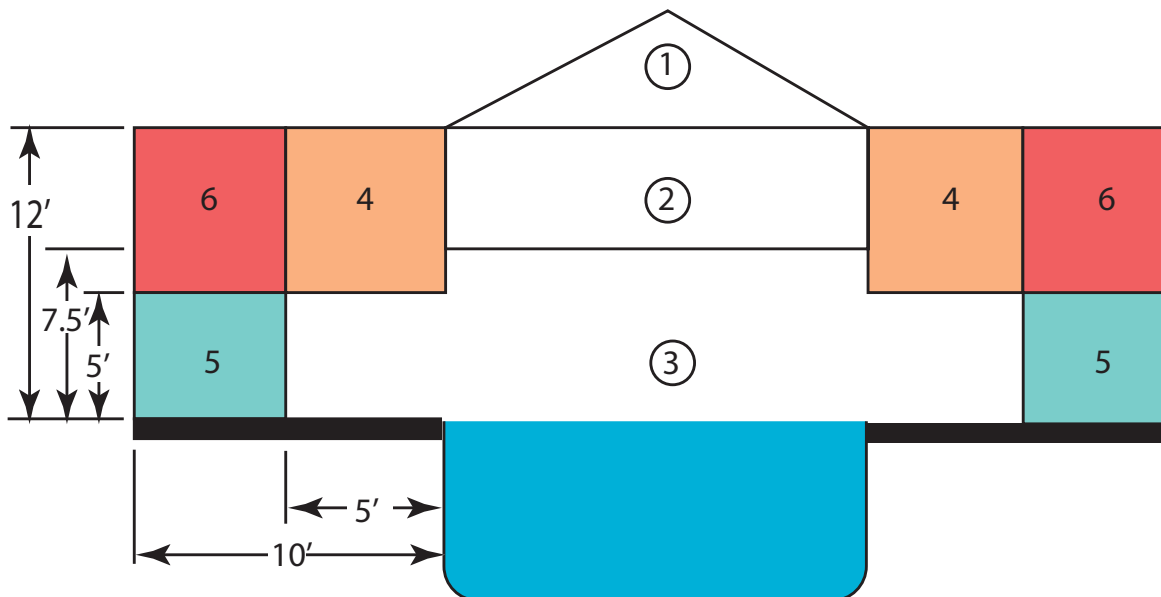
This will create a maintenance nightmare, placing fixtures above the water forces the facility manager to drain the pool every time a lamp burns out.

## Can you use direct fixtures to light the water surface?

Direct lighting onto the water surface creates glare so you cannot see if someone is in trouble below the surface of the water, creating a safety hazard. Some indirect fixtures can create the same hazard, which is why it is important to have fixtures with asymmetric throw.

## Why is stainless steel a good choice in a natatorium?

Exposed stainless steel is the best choice because mixed metals can result in galvanic corrosion. Stainless steel is impervious to the effects of chlorine and other pool chemicals.



1. All fixtures are permitted above 12 foot over water.
  2. Totally enclosed (wet locations) fixtures permitted when protected by GFCI.
  3. Fixtures are not permitted below 5 foot.
  4. Only existing rigidly attached fixtures permitted.
  5. New fixtures permitted when protected by GFCI .
  6. New fixtures permitted without GFCI .
- (drawn from the NFPA70 NEC 2008 art. 680)



QUICK NOTE:  
Kurtzon Lighting's indirect / direct H.I.D. lighting systems have an established history of providing the best available lighting for indoor recreational and competitive swimming. Unlike direct H. I. D. systems which produce hot spots and glare, Kurtzon Lighting's indirect lighting systems provide high levels of glare free illumination and outstanding uniformity.



Kurtzon Lighting is an industry leader in pool lighting. When selecting Kurtzon keep in mind you are making a choice to go with the products that are featured in prominent universities as well as colleges, high schools and grammar schools for over 70 years.





QUICK NOTE:

UL Wet Location listings do not mean a fixture will be impenetrable by water, rather it means the electrical components will not have water touch them. All Kurtzon fixtures are sealed so that NO water enters the fixture. In tough environments like a steam room or shower area, this kind of seal is essential to ensure a long lasting, high performance fixture.



When dealing with a specialized wet environment like a steam room or shower area, it is important to have a resilient lighting fixture that can withstand the changing pressure due to temperature shift and resists bacterial growth within the light fixture.



### A System Not Just Fixtures

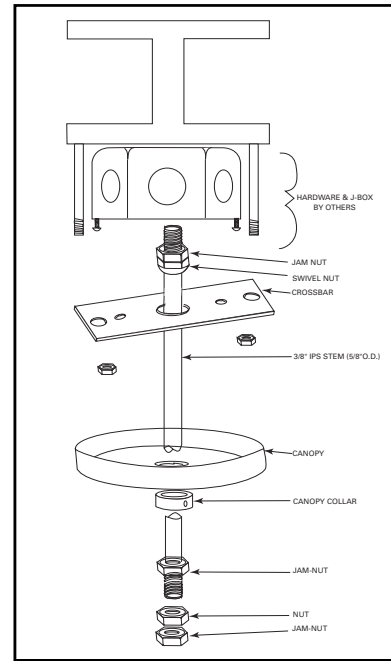
With many states mandating a minimum of 50fc maintained on the water, almost all natatoriums requires a lighting system with an asymmetric distribution. In addition to four and eight foot luminaires we provide corners (L-COR-3) and fillers. Using these modular pieces almost any natatorium can be illuminated in a continuous manner while maintaining the lighting performance you need.

### Views of Standard fixture:

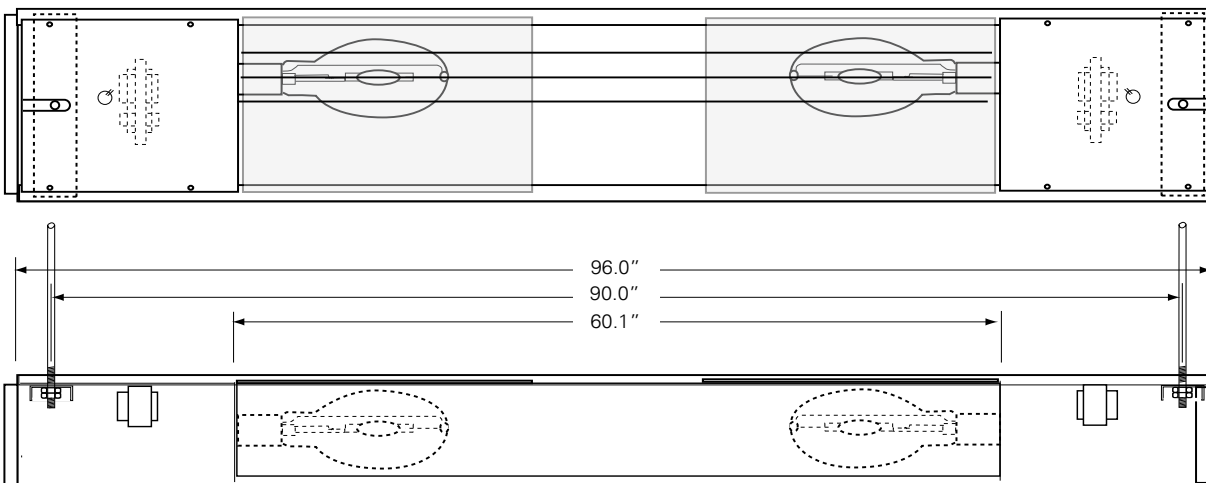
The horizontal buring pulse start lamps are shielded by clear tempered glass allowing the asymmetric reflector system to evenly light the natatorium from the edge of the pool. Male and Female end couplers keep the orientation correct during assembly. The corner (L-COR-3) pictured above simply connects two rows in a clean manner.

### Flexibility of Installation

Kurtzon Lighting's factory engineers can assist you in planning a lighting system customized to the structural and electrical demands of your specific natatorium. Individual luminaires are secured to the ceiling structure with .250" stainless steel rods support assemblies (RCH-3, not pictured). Stainless steel stems (.625"OD/.375"ID) and canopies/hardware are available for wiring (SCH-3, shown). Each luminaire is provided with removable ballast covers for ease of mounting and wiring.



**Sch-3 Stem Supports**





**A Successful History in Natatorium Lighting**

With over thirty years of experience in natatorium lighting, Kurtzon Lighting provides lighting systems that combine the best of materials and design with the highest quality of workmanship - a combination that outperforms and outlasts all others! See Natatorium Lighting 101 to become more familiar with lighting these complicated spaces.

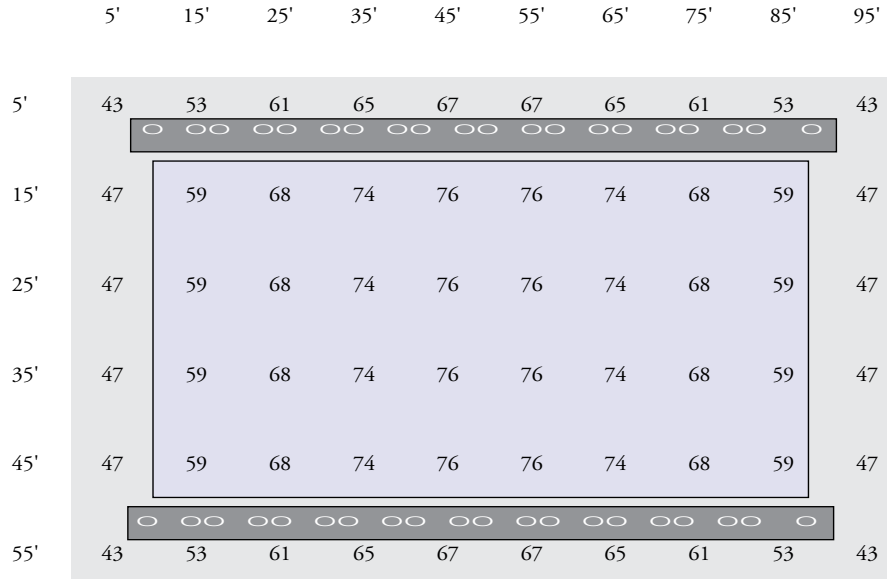
**Stainless Steel For Lasting Strength:**

The natatorium environment (strong chemicals, acids, high humidity) demands the corrosive resistant qualities of stainless steel. Kurtzon Lighting is the industry leader in providing stainless steel lighting systems that resist corrosion in even the most hostile environments. Our luminaires are finished with a powder coat finish that is U.L. Listed for Wet Locations and has superior performance in natatorium service. This will keep your system working and looking good for many years. A five year warranty is standard on all natatorium lighting products.

**Unmatched Photometric Performance**

Kurtzon Lighting's indirect H.I.D. pool lighting systems have an established history of providing the best available lighting for indoor recreational and competitive swimming. Unlike direct H.I.D. systems which produce hot spots and glare, Kurtzon Lighting's indirect lighting systems provide high levels of glare-free illumination and outstanding uniformity.

In addition to the high quality of light, Kurtzon Lighting's indirect H.I.D. lighting systems can be designed for two-level lighting. This flexibility provides the most energy efficient solution to the challenge of meeting the lighting requirements of both recreational and competitive swimming. The adjacent lighting layout, utilizing standard reflectances and .75 light loss factor, demonstrates the unmatched photometric performance of our 400-watt pulse start MH system. Please note that footcandle levels on this point-by-point are rounded off to the lower whole integer. Our applications department will be delighted to provide you with a lighting system layout customized to your specific needs.



= 400-watt metal halide lamp (40,000 initial lumens)

Max Ftc.	Min Ftc.	Ave Ftc.	Max/Min Ratio
77.1	43.5	64.4	1.77:1

**Kurtzon Lighting** / Quality Since 1898

Made In The USA

Morris Kurtzon, Incorporated  
 1420 South Talman Avenue, Chicago, Illinois 60608  
 773/277-2121 FAX 773/277-9164 ©2011  
 Website- www.kurtzon.com

**HSP Series**  
**Stainless Steel Indirect H.I.D. Suspended Swimming Pool Luminaires**  
 250-400 Watt Pulse Start Metal Halide

**Specifications:**

**Housing:** Die-formed 20-gauge stainless steel construction. All seams lapped and spot welded. Weep holes provided to eliminate condensation in luminaire. White powder coat finish,

**Reflector:** Die-formed 20-gauge stainless steel reflector provides indirect asymmetric distribution. White powder coat finish provides 87% minimum reflectivity.

**Lamps:** Porcelain mogul base sockets standard. ED28 or ED37 ANSI enclosed rated horizontal burn lamps. Restrike quartz lamp is Mini-Can base rated maximum of 250 watts. (All lamps by others.)

**Lens:** Tempered glass .250" thick lamp cover secured with "L" bracket lens retention system.

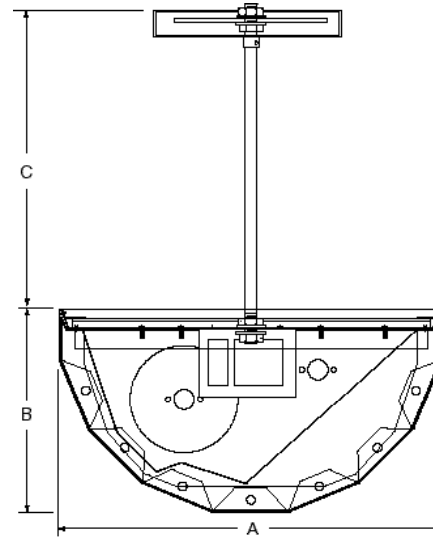
**Ballast:** CWA high power factor, open core and coil ballasts standard. See Options for encapsulated ballasts. Specify voltage.

**Finish:** White powder coat finish, 1,000 hour salt spray test. U.L. listed for wet locations.

**Installation:** Luminaire and corner modules designed for continuous mounting via male/female couplers. Each fixture requires at least one support. (Order mounting hardware separately.) RCH-3 option includes five feet of .250" stainless steel rod and canopy/hardware for suspended mounting. SCH-3 option includes a Stainless steel stem (.625"OD/.375"ID) and canopy/hardware available for wiring. (One 12 ga. circuit per stem.)

**Mounting Height Requirements:** 250-400 Watt lighting systems require a minimum of 48" space between top of luminaire and ceiling.

**Listings:** U.L. Listed for Damp Locations. I.B.E.W.Labels.



	A	B	C
250-watt	16.75"	8.0"	48.0"
400-watt	16.75"	8.0"	48.0"



**Order Information:**

IS - HSP - 3 - - - - -

Series	Installation type	Material	Length	Lamps	Voltage	Options / Accessories
IS	HSP= Suspended	3= Stainless Steel Finished White			120 208 240 277 480	RCH-3 = .250" Stainless Steel Rod (5' standard, specify additional length) SCH-3 = Stainless Steel Stem/Canopy/Hardware (5' standard, specify additional length) LCOR3 = Stainless Steel "L" Corner Module HC/QL = "Hot/Cold Start" Quartz Restrike EL = Mini-Can. Emergency Light Socket FF = GMF Fuse & Fuse Holder FD = Double GMF Fuse & Fuse Holder ENC = Encapsulated Ballast CPS = Custom Paint Setup (White standard)

40 = 4' Housing

1/250PMH = 250-Watt Pulse Start Metal Halide (M153)  
 1/320PMH = 320-Watt Pulse Start Metal Halide(M154)  
 1/350PMH = 350-Watt Pulse Start Metal Halide(M131)  
 1/400PMH = 400-Watt Pulse Start Metal Halide(M155)

80 = 8' Housing

1 or 2/250PMH = 250-Watt Pulse Start Metal Halide (M153)  
 1 or 2/320PMH = 320-Watt Pulse Start Metal Halide(M154)  
 1 or 2/350PMH = 350-Watt Pulse Start Metal Halide(M131)  
 1 or 2/400PMH = 400-Watt Pulse Start Metal Halide(M155)



# Indoor Sports Series

23x23 Luminaries for Direct or Indirect Surface Natatorium Installation

IS02

## Specifications:

**Housing:** Lapped and spot welded 20-gauge stainless steel construction. All seams of housing silicone sealed.

**Door Frame:** 20-gauge type 304 stainless steel channel door frame hinged to housing with continuous stainless steel piano hinge. Door frame neoprene gasketed to housing door frame ledge and secured with captive stainless steel fasteners.

**Reflector:** Die-formed semi-specular aluminum reflector. Lamp positioned 45° off vertical burning, Type V distribution.

**Lens:** Closed cell 100% pure neoprene gasket in door frame seals .156" C73 tempered glass lens.

**Lamps:** See lamp options listed below. Lamps supplied by others. Mogul base sockets standard, positioned 45° off vertical burning. Must use universal burn or Horizontal burn ±75° lamps to achieve rated lamp life and performance.

**Electrical:** CWA high power factor, open core and coil ballasts standard. Ballasts mounted to .125" aluminum heat sink.

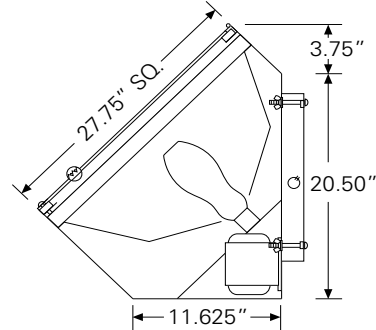
**Finish:** Gloss white high reflectance 1000 hr. salt spray polyester powder coat finish standard for all housings and door frames.

**Installation:** Mounting pan has four .312" holes for mounting and four 1/2" trade size knockouts for surface conduit entry and one knockout on rear.

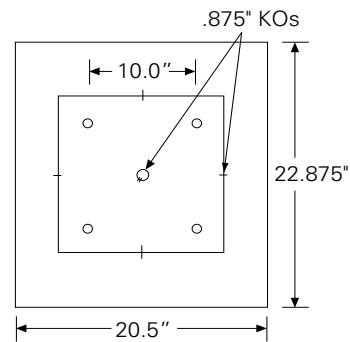
**Listings:** ULand CUL Listed for Wet Location. IBEW Label. Made in the USA.

Project: \_\_\_\_\_  
 Fixture Type: \_\_\_\_\_

**Cross Section**



**Mounting Detail**



## Ordering Information:

IS - SK45 - 3 - - - -

Series	Installation Type	Material	Size	Lamps	Voltage	Options
IS	SK45 = Surface	3 = SS Hsg. & SS Door			120V 277V 208V 240V 480V	ENC = Encapsulated Ballast FF = GMF Fuse & Holder MBS = Medium Base Socket HC/QL = "Hot/Cold Start" Quartz Restrike EL = Mini-Can Emergency Light Socket GG = N.S.F. Listed Gasketing SCMP = Sloped Ceiling Mounting Pan CPS = Custom Paint Set-up GL = Glare Shield

541 = 23"x23" Housing

250PMH = 250-Watt Pulse Start Metal Halide (M153)  
 320PMH = 320-Watt Pulse Start Metal Halide(M154)  
 350PMH = 350-Watt Pulse Start Metal Halide(M131)  
 400PMH = 400-Watt Pulse Start Metal Halide(M155)



**Indoor Sports Series**  
1x4 Luminaries for Recessed Racquetball Court Installation

**Specifications:**

**Housing:** One piece, seam welded, hole free 20-gauge CRS construction. Fully white powder coated. Smooth room side flange to minimize effect on ball flight.

**Door Frame:** 20-gauge CRS channel door frame hinged to housing with two stainless steel cables. Secured by captive stainless steel screws.

**Gaskets:** Neoprene, 100% pure, closed cell located at interface of door to housing and door to lens.

**Reflector:** Die formed metal with high reflectance white polyester powder coat finish. (minimum reflectivity 88%)

**Lens:** High durability .156" thick tempered glass C73 prismatic pattern inverted (smooth side out). See "Options" for other choices.

**Lamps:** Select lamp options listed below. Lamps supplied by others.

**Electrical:** Standard ballast - Electronic less than 10% THD high performance instant start universal voltage (120-277 volt). See options for other choices.

**Finish:** Gloss white high reflectance 1000 hr. salt spray polyester powder coat finish standard for all housings and doorframes.

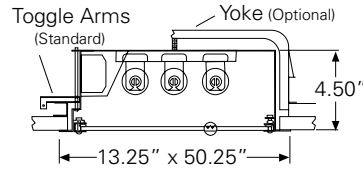
**Installation:** Adjustable toggle arm mounting standard. See Options for yoke mounting system (YOKE). Four .875" flattened and silicone sealed knockouts for wiring. Suitable for through wiring.

**Listings:** UL and CUL Listed for Wet Locations. IBEW Union Label. Made in the USA.

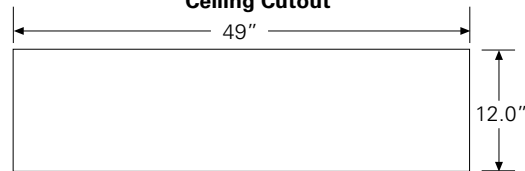
**Note:** Not Suitable for T-Bar Grid Ceilings.

Project: \_\_\_\_\_  
Fixture Type: \_\_\_\_\_

**Cross Section**



**Ceiling Cutout**



**Ordering Information:**

IS	- HC	-	1	-	1 x 4	-	-	-
----	------	---	---	---	-------	---	---	---

Series	Installation Type	Material	Size	Lamps	Voltage	Options
IS	HC = Flanged Recessed	I = CRS Hsg. & Door			120V 277V 347V* UNV*	FF = Fuse & Holder FD = Two Fuses & Holders 2/EB = Two Ballasts, (Two Circuits)* EBPRS= Program Rapid Start Ballast* 1/EM = 1 Lamp Battery Pack (700L)* 2/EM = 2 Lamp Battery Pack (1300L)* TP = Stainless Steel Tamperproof Fasteners LEX = .125" Prismatic Polycarbonate HIA= High Impact .140" P12 Pattern Acrylic PF= Plaster frame (For wet plaster ceilings) YOKE= Yoke Mounting System
1x4 = 1'x4' Housing		1, 2 or 3/T8 = F32T8 32W T8 (G13) 1, 2 or 3/T5 = F28WT5 28W T5 (G5)* 1 or 2/T5HO = F54WT5 54W T5HO (G5)*		Qty/Type		

\* Note: Not all options are compatible with every option. Ex: EBPRS is not Compatible with EBL. Consult factory for multiple options marked "\*\*".



Kurtzon Lighting / Quality Since 1898

Made In The USA

Morrice Kurtzon, Incorporated  
1420 South Talman Avenue, Chicago, Illinois 60608  
773/277-2121 Fax 773/277-9164  
©2011 Website -www.kurtzon.com



**Indoor Sports Series**  
2x2 & 2x4 Luminaries for Recessed Racquetball Court Installation

**Specifications:**

**Housing:** One piece, seam welded, hole free 20-gauge CRS construction. Fully white powder coated. Smooth room side flange to minimize effect on ball flight.

**Door Frame:** 20-gauge CRS channel door frame hinged to housing with two stainless steel cables. Secured by captive stainless steel screws.

**Gaskets:** Neoprene, 100% pure, closed cell located at interface of door to housing and door to lens.

**Reflector:** Die formed metal with high reflectance white polyester powder coat finish. (minimum reflectivity 88%)

**Lens:** High durability .156" thick tempered glass C73 prismatic pattern inverted (smooth side out). See "Options" for other choices.

**Lamps:** Select lamp options listed below. Lamps supplied by others.

**Electrical:** Standard ballast - Electronic less than 10% THD high performance instant start universal voltage (120-277 volt). See options for other choices.

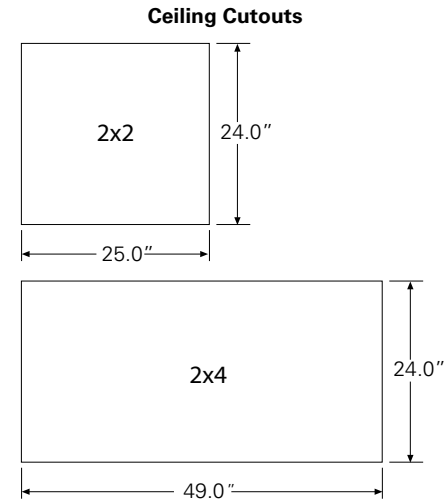
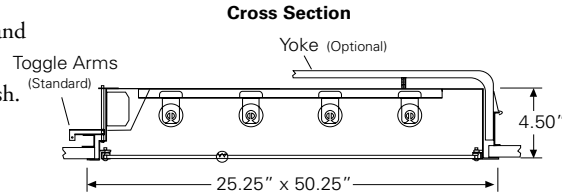
**Finish:** Gloss white high reflectance 1000 hr. salt spray polyester powder coat finish standard for all housings and door frames.

**Installation:** Adjustable toggle arm mounting standard. See Options for yoke mounting system (YOKE). Four .875" flattened and silicone sealed knockouts for wiring. Suitable for through wiring.

**Listings:** UL and CUL Listed for Wet Locations. IBEW Union Label. Made in USA.

**Note:** Not Suitable for T-Bar Grid Ceilings.

Project: \_\_\_\_\_  
Fixture Type: \_\_\_\_\_



**Ordering Information:**

IS	- HC	-	1	-	-	-	-
----	------	---	---	---	---	---	---

Series	Installation Type	Material	Size	Lamps	Voltage	Options
IS	HC = Flanged Recessed	I = CRS Hsg. & Door			120V 277V 347V* UNV*	FF = Fuse & Holder FD = Two Fuses & Holders 2/EB = Two Ballasts, (Two Circuits)* EBPRS= Program Rapid Start Ballast* 1/EM = 1 Lamp Battery Pack (700L)* 2/EM = 2 Lamp Battery Pack (1300L)* TP = Stainless Steel Tamperproof Fasteners LEX = .125" Prismatic Polycarbonate HIA= High Impact .140" P12 Pattern Acrylic PF= Plaster frame (For wet plaster ceilings) YOKE= Yoke Mounting System
	2x2 = 2'x2' Housing		2, 3, 4 or 6/T8 = F17T8 17W T8 (G13) 1 or 2/T8U6 = F32T8/U/6 (6" U-Lamp, G13) 2 or 3/T8U1 = F31T8/U (1.625" U-Lamp, G13) 2, 3 or 4/BX = 40-Watt Biax (2G11)	Qty/Type		
	2x4 = 2'x4' Housing		2, 3, 4 or 6/T8 = F32T8 32W T8 (G13) 2, 3, 4 or 6/T5 = F28WT5 28W T5 (G5)* 2, 3, 4 or 6/T5HO = F54WT5 54W T5HO (G5)*			

\* Note: Not all options are compatible with every option. Ex: EBPRS is not Compatible with EBL. Consult factory for multiple options marked "\*\*".



Kurtzon Lighting / Quality Since 1898

Made In The USA

Morrice Kurtzon, Incorporated  
1420 South Talman Avenue, Chicago, Illinois 60608  
773/277-2121 Fax 773/277-9164  
©2011 Website -www.kurtzon.com



# Indoor Sports Series

Low Profile 2x4 Luminaires for Gymnasium Surface Installations

IS06

## Specifications:

**Housing:** One-piece, seam welded, hole-free 18 gauge aluminum construction.

**Channel Door:** 20 gauge CRS channel frame with reinforced corners and welded stiffeners. Door frame 100% Neoprene gasketed to housing and to lens. Door Frame is suspended from housing during relamping using two stainless steel cables. Lens is inverted and neoprene sealed in door frame.

**Wire Guard:** 14 gauge steel wire guard formed with welded cross wires on 2 inch centers. Four Steel brackets support and hinge guard from housing during relamping.

**Reflector:** Interior reflective surfaces white powder coat finished (minimum reflectivity 88%).

**Lens:** High durability .135" thick virgin acrylic with P12 prismatic pattern. See "Options" for other choices.

**Lamps:** Select lamp options listed below. Lamps supplied by others.

**Electrical:** Standard ballast - Electronic less than 10% THD high performance instant start universal voltage (120-277 volt). See options for other choices.

**Finish:** Gloss white high reflectance 1000 hr. salt spray polyester powder coat finish standard for all housings and door frames.

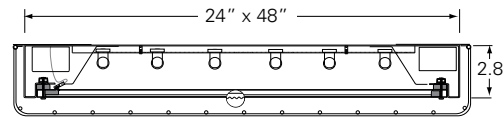
**Installation:** Four .312" holes for surface mounting. Two .875" flattened and silicone sealed knockouts for wiring. See below for other mounting options.

**Listings:** UL and CUL Listed for Wet Location.

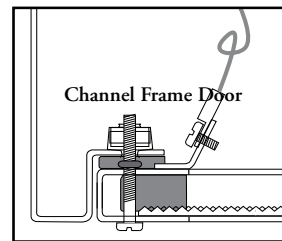
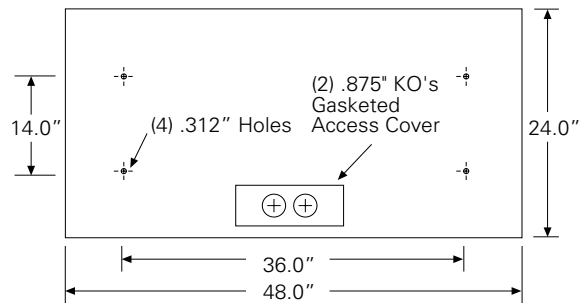
IBEW Union label. Made in USA.

Project: \_\_\_\_\_  
 Fixture Type: \_\_\_\_\_

Cross Section



Installation Detail



## Ordering Information:

IS - DEF - 5 - 2 x 4 - - - - -

Series	Installation Type	Material	Size	Lamps	Voltage	Options
IS	DEF = Surface Mount	5 = Alum Hsg. & CRS Door	2x4 = 2'x4' Housing	2, 3 or 4/T5HO = Two, three or four 54-Watt T5HO (G5) 2, 3, 4 or 6/T5 = Two, three, four or six 28-Watt T5 (G5)	120V 277V 347V UNV	FF = Fuse & Holder FD = Double Fuse & Holders EB/L = Low Temperature Elec. Ballast EBPRS = Rapid Start Elec. Ballast NLF = Fluorescent Night Light 1/EM = One Lamp Bat. Pack (700 L) 2/EM = One Lamp Bat. Pack (1200 L) DALI = DALI Dimming Ballast DIM = 0-10V Dimming Ballast LEX = .125" P-12 Polycarbonate Diffuser HIA = .140" High Impact Acrylic Diffuser PMB = Pendant Mounting Brackets (2)

**Kurtzon Lighting** / Quality Since 1898 **Made In The USA**

Morrice Kurtzon, Incorporated  
 1420 South Talman Avenue, Chicago, Illinois 60608  
 773/277-2121 Fax 773/277-9164  
 ©2011 Website -www.kurtzon.com



# KURTZON POOL LIGHTING DESIGN SERVICES

For further assistance follow these steps:

1. Total foot candles (LUX wanted at water level. \_\_\_\_\_ F.C. (LUX)

2. Lamp description \_\_\_\_\_ / \_\_\_\_\_ / \_\_\_\_\_ / \_\_\_\_\_  
                                    **Wattage**                    **Finish**                    **Source**                    **ANSI Code**

3. Room size \_\_\_\_\_ (FT) by \_\_\_\_\_ (FT) by \_\_\_\_\_

4. Location of pool within room:

Distance of pool from LONGEST wall \_\_\_\_\_ (FT)

Distance of pool from \_\_\_\_\_ wall \_\_\_\_\_ (FT)

Distance of pool from \_\_\_\_\_ wall \_\_\_\_\_ (FT)

Distance of pool from \_\_\_\_\_ wall \_\_\_\_\_ (FT)

5. Ceiling Construction \_\_\_\_\_  
\_\_\_\_\_

6. Estimated ceiling reflectance \_\_\_\_\_ %

Estimated wall reflectance \_\_\_\_\_ %

Estimated floor reflectance \_\_\_\_\_ %

7. Fenestration (windows / openings) \_\_\_\_\_  
\_\_\_\_\_  
\_\_\_\_\_

For best results, send complete drawings of pool & room to [engineering@Kurtzon.com](mailto:engineering@Kurtzon.com)

*I would like to receive the following:*

- A Pool Lighting Layout**
- Additional Design Assistance**
- Related Catalog Material**

**Name** \_\_\_\_\_

**Firm** \_\_\_\_\_

**Email** \_\_\_\_\_

**Phone #** \_\_\_\_\_

You can email this sheet to [engineering@kurtzon.com](mailto:engineering@kurtzon.com) or fax it to 773 277 9164

Clients Include:

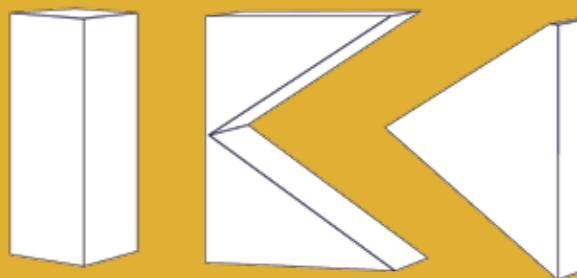


\* All logos above remain the property of their corporate owners, and are for illustrative purposes only. No corporate endorsement of Kurtzon or Kurtzon products has been given nor is one implied.

# ***Kurtzon Lighting***

**Innovators in lighting since 1898**

## **Indoor Sports Lighting**



**[www.Kurtzon.com](http://www.Kurtzon.com)**

**800-837-8937**

**1420 S. Talman Ave Chicago, IL**