

Grid Fixture Installation Instructions for T-Bar Grid Ceilings

Important Safeguards

When Installing Electrical Equipment, Basic Safety Precautions Must Always Be Followed, including the following:

Do Not Use This Product For Other Than Intended Use.

Caution: Installation Must Be Performed By Qualified Service Personnel.

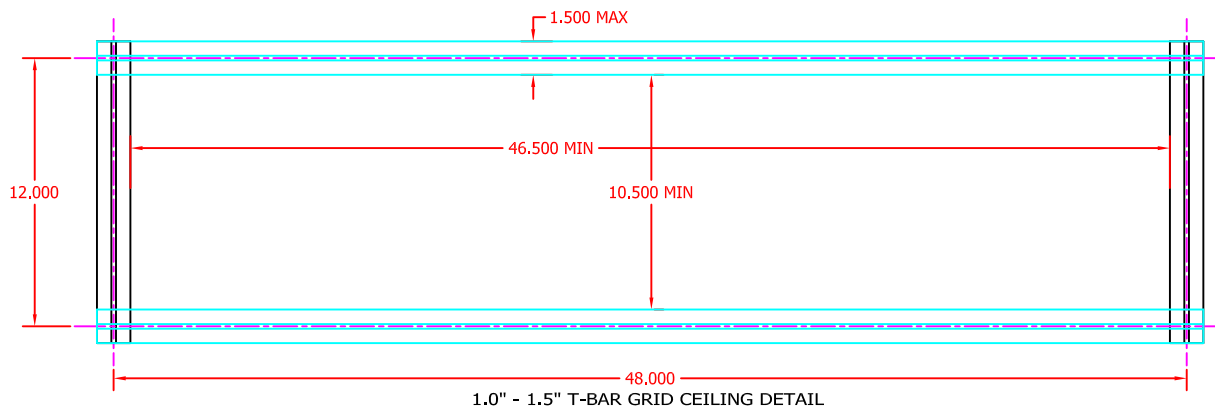
Installation Shall be done in accordance with the wiring methods given in the NEC, NFPA 70 Art. 410, 500 & 501-4(b). (as applicable)

Use of Accessory Equipment Not Recommended by the Manufacturer May Cause an Unsafe Condition.

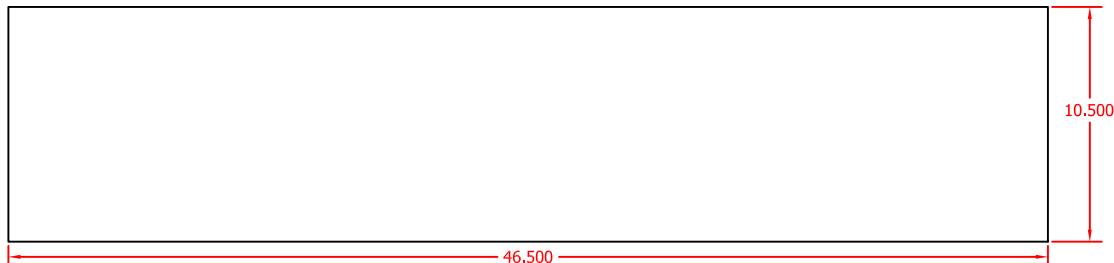
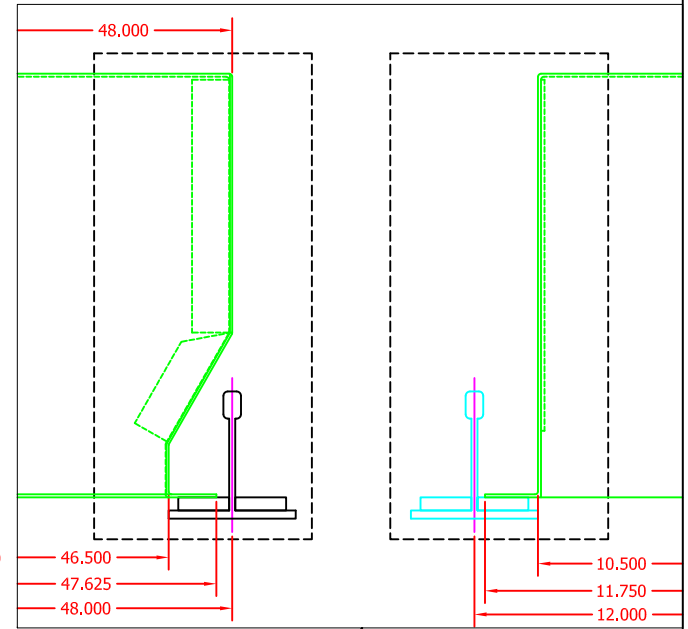
Read and Follow All Instructional and Cautionary Labels Found On or In This Fixture.

Read and Follow All Safety Instructions

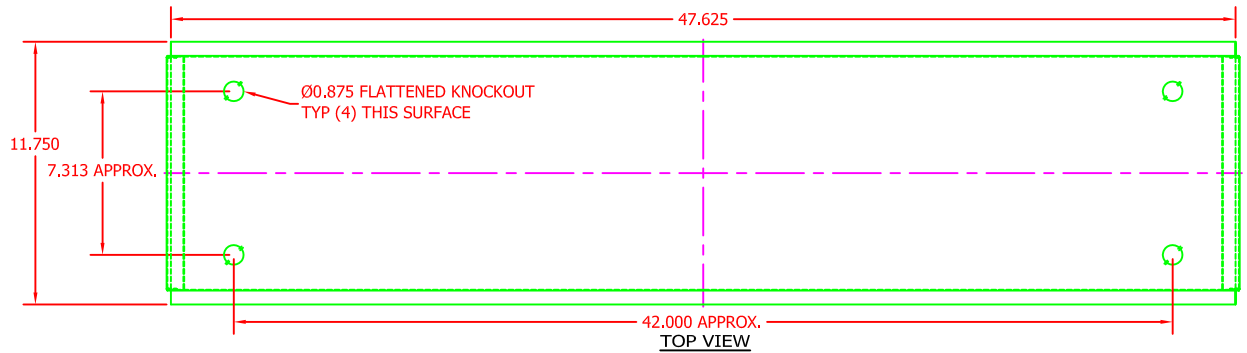
- 1) With fixture body resting face up on a stable surface, remove doorframe and remove internal reflector(s).
- 2) **For Hazardous Locations:**
 - A.) Select **One** knockout for supply connection. Locate internal plate inside fixture covering the selected knockout and remove using a screwdriver. Pry plate free of housing surface and remove sealant from area.
 - For ordinary locations:**
 - B.) Select knockouts for supply connection. Remove silicone seal from knockout area.
- 3) Create the Supply entrance hole in the housing by removing the revealed knockout using a screwdriver. (For hazardous locations: Use only the one Meyers ST-1 hub provided.)
- 4) Remove all debris from the inside of the fixture.
- 5) For hazardous locations: Attach Meyers ST-1 Hub to hole from outside being sure that the gasket mates with the outer surface of the fixture. Tighten securely to housing using the nut provided.
- 6) Prepare a mounting means capable of reliably supporting more than the weight of the fixture according to applicable building codes. **Ceiling Grid size is standard for 1" T-bar. Please specify other sizes when ordering.**
- 7) Insert fixture through ceiling opening and lay fixture centered on T-Bar.
- 8) Adjust mounting Z-clips on housing to meet T-bar using the slot provided
- 9) Attach Z-clips to T-bar using appropriate method according to local building codes. Note: This and all other hardware should be plated or stainless steel if installed in a wet or damp location. Use Z-clips to attach seismic support cables according to local codes.
- 10) Rough in supply conduit and connections according to the NEC and local requirements using minimum 90C supply wiring materials.
- 11) Remove any protective films from the reflective or outer surfaces as provided.
- 12) Replace reflector and secure by tightening screws or nuts.
- 13) Install only the rated lamps as marked on fixture.
- 14) Tightly Secure doorframe and hinge cables using a hardware provided.
- 15) Energize fixture with rated voltage from a protected branch circuit.
- 16) Do Not Open or Service Fixture While Energized. Always Disconnect Power from supply before servicing.
- 17) Do Not Operate Fixture when damaged or not completely sealed.
- 18) Cleaning can be performed using ordinary detergent based cleaning agents and cloth or paper towels. All cleaning is to be done de-energized.
- 19) For warranty or service information contact your customer service representative at 1-800-837-8937.



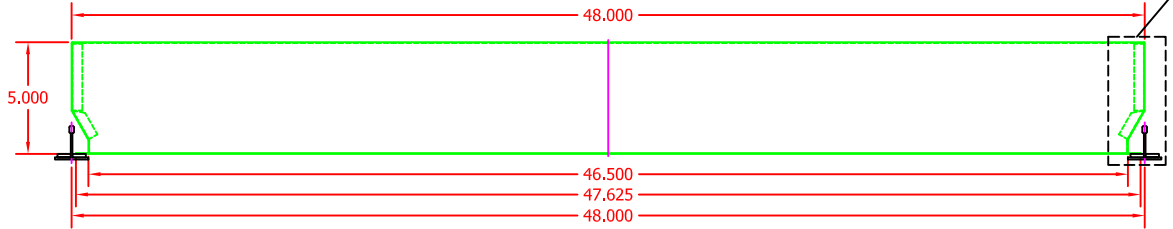
1.0" - 1.5" T-BAR GRID CEILING DETAIL



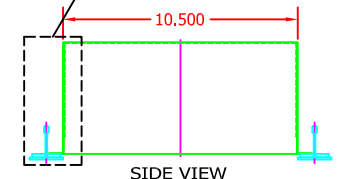
1.0" - 1.5" T-BAR MINIMUM DOOR CLEARANCE



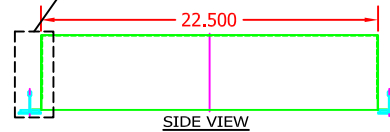
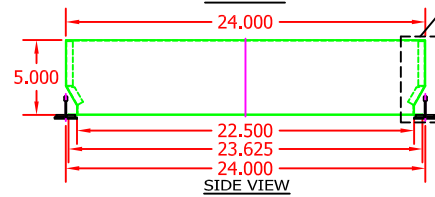
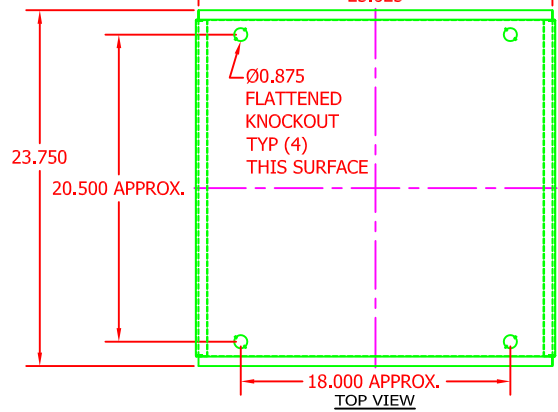
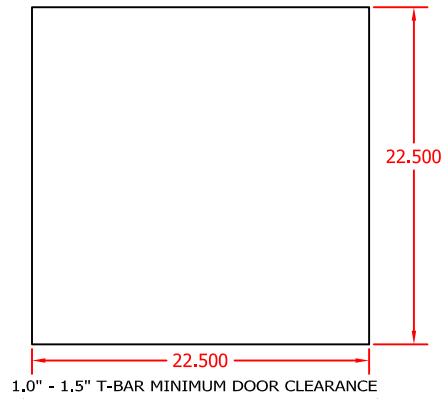
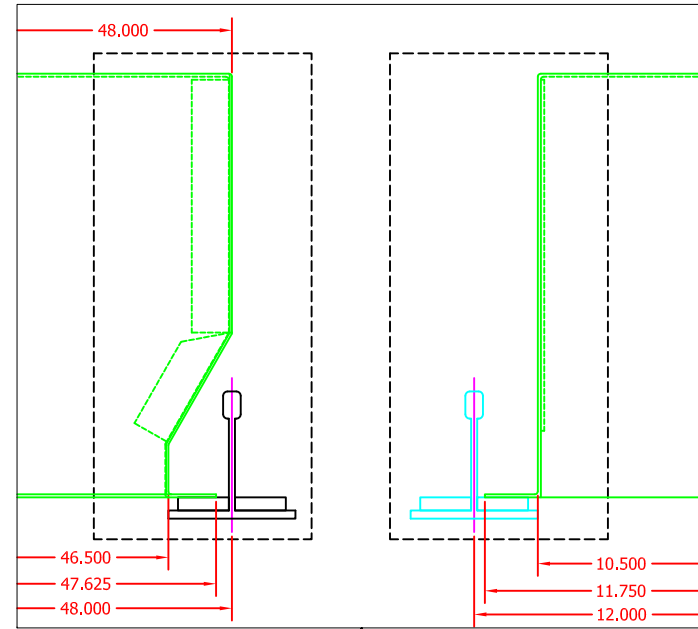
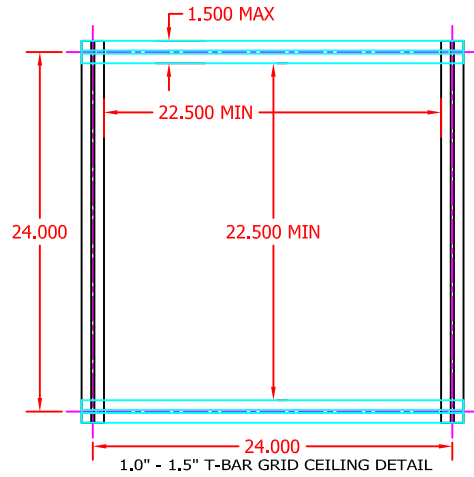
TOP VIEW

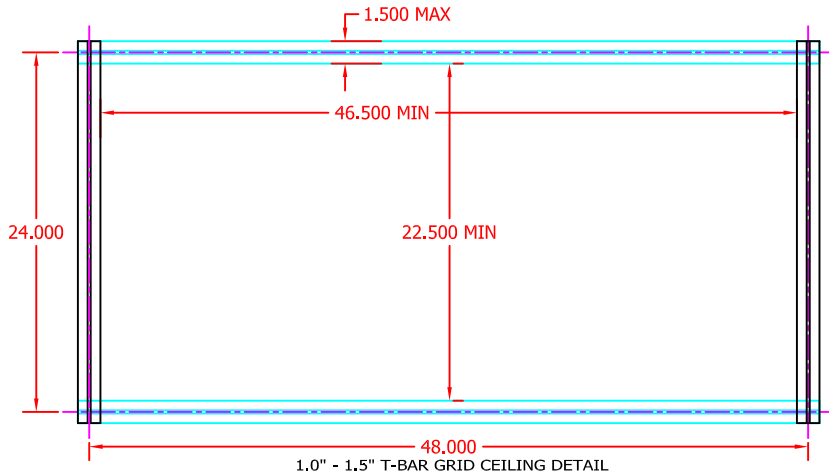


SIDE VIEW

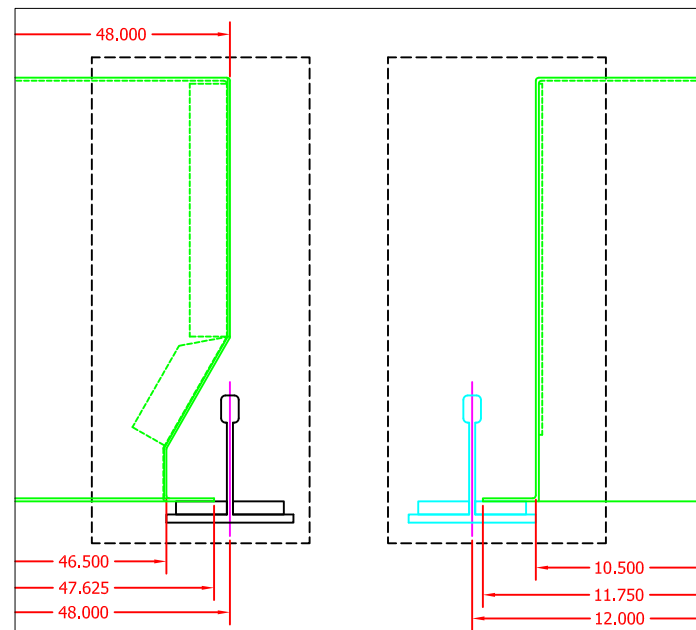


SIDE VIEW

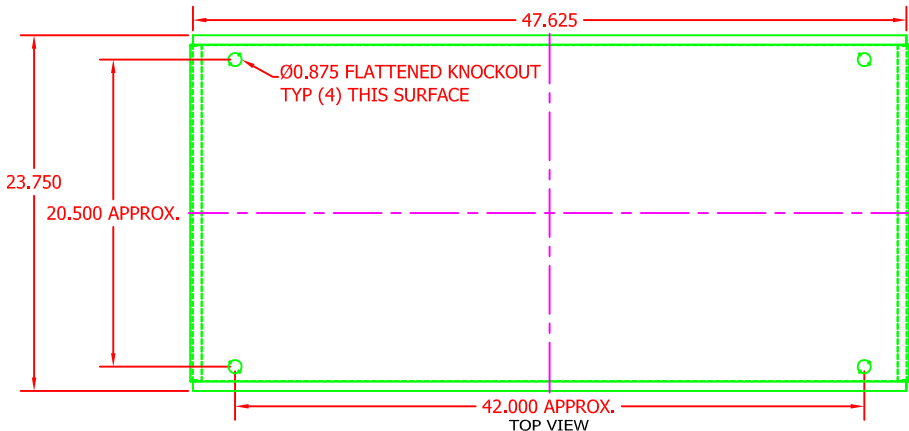




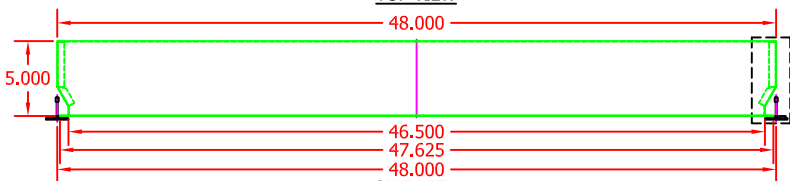
1.0" - 1.5" T-BAR GRID CEILING DETAIL



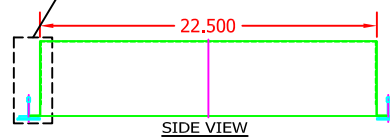
1.0" - 1.5" T-BAR MINIMUM DOOR CLEARANCE



TOP VIEW



SIDE VIEW



SIDE VIEW