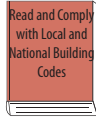
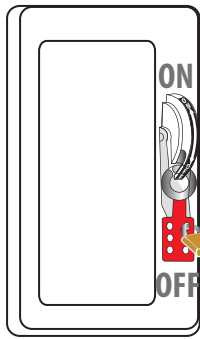
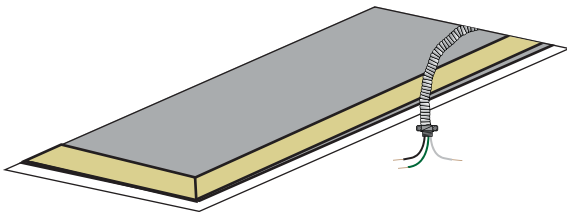
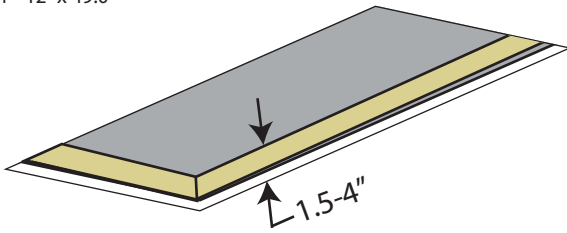


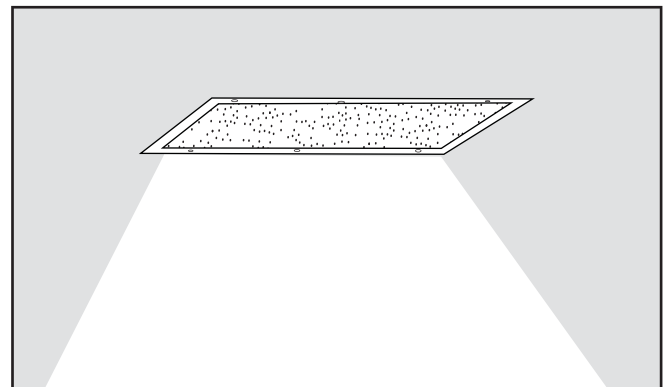
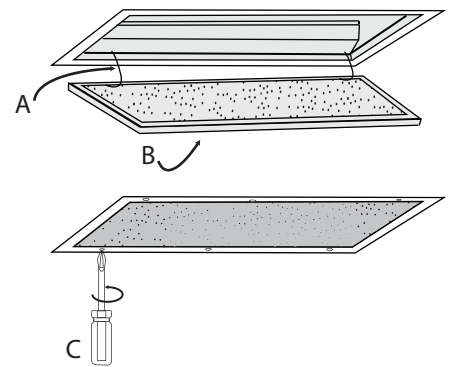
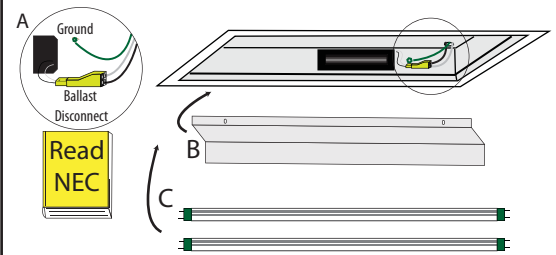
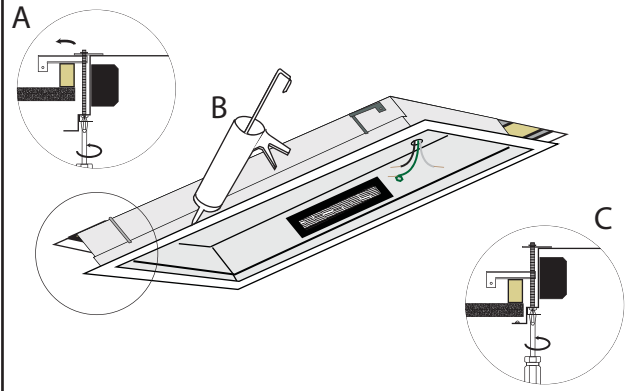
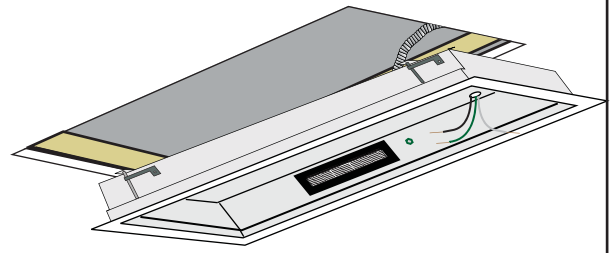
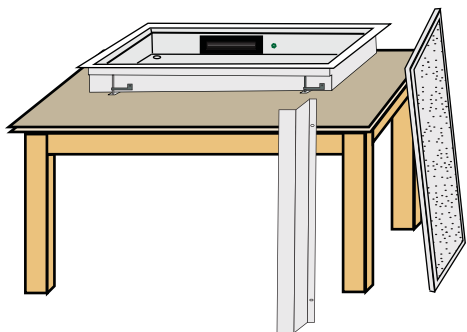
WL & EL SERIES



2x4= 24" x 49.0"  
2x2= 24" x 25.0"  
1x4= 12" x 49.0"



90°C WIRE



# Toggle Arm Flanged Fixture Installation Instructions for Plaster or Drywall Ceilings

## Important Safeguards

**When Installing Electrical Equipment, Basic Safety Precautions Must Always Be Followed, including the following:**

**Do Not Use This Product For Other Than Intended Use.**

**Caution: Installation Must Be Performed By Qualified Service Personnel.**

**Installation Shall be done in accordance with the wiring methods given in the NEC, NFPA 70 Art. 410, 500 & 501-4(b). (as applicable)**

**Use of Accessory Equipment Not Recommended by the Manufacturer May Cause an Unsafe Condition.**

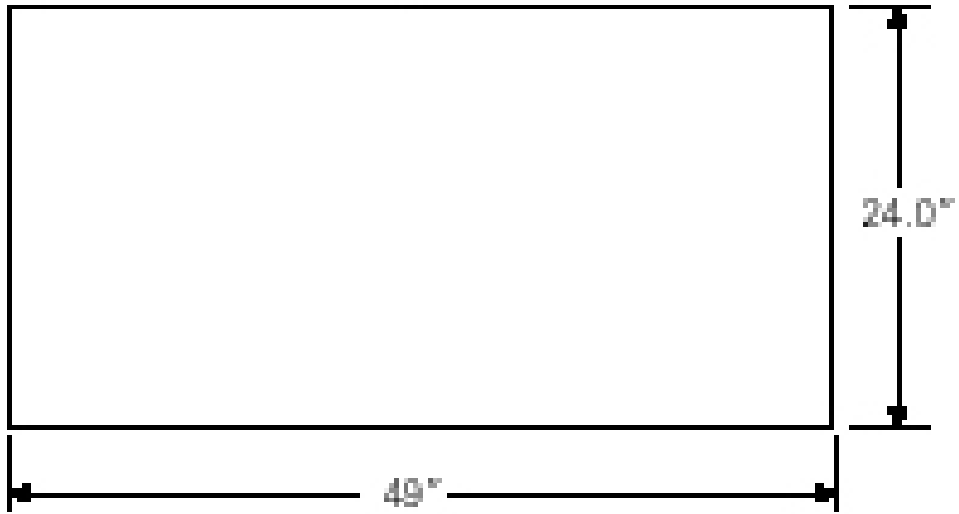
**Read and Follow All Instructional and Cautionary Labels Found On or In This Fixture.**

## *Read and Follow All Safety Instructions*

- 1) With fixture body resting face up on a stable surface, open doorframe and remove internal reflector.
- 2) **For Hazardous Locations:**
  - A.) Select **One** knockout for supply connection. Locate internal plate inside fixture covering the selected knockout and remove using a screwdriver. Pry plate free of housing surface and remove sealant from area.**For ordinary locations:**
  - B.) Select knockouts for supply connection. Remove silicone seal from knockout area.
- 3) Create the Supply entrance hole in the housing by removing the revealed knockout using a screwdriver. (For hazardous locations: Use only the one Meyers ST-1 hub provided. )
- 4) Remove all debris from the inside of the fixture.
- 5) For hazardous locations: Attach Meyers ST-1 Hub to hole from outside being sure that the gasket mates with the outer surface of the fixture. Tighten securely to housing using the nut provided.
- 6) Prepare a mounting surface capable of reliably supporting more than the weight of the fixture according to applicable building codes. Ceiling cutout size is found on each fixtures catalog page. Take care in creating the ceiling cutout being sure that it is rectangular in shape having right angles.
- 7) Note: Ceiling cutout must be reinforced from above using structural materials capable of supporting the fixtures weight under all loads
- 8) Rough in supply conduit according to the NEC and local requirements using minimum 90C supply wiring materials. (*Do not make connection until step 13*)
- 9) (This task may require two service people.) Lift fixture into ceiling cutout and adjust toggle arms so that the swing arm is fully extended and overlaps the ceiling structural channels (by others).
- 10) After you are sure that all four toggle arms are supporting the fixture, tighten each toggle arm evenly, drawing the fixture up into the ceiling. Stop when flange is 1" below ceiling.
- 11) Caulk using site approved materials (provided by others) the flange of fixture to ceiling and any adjacent fixtures and continue tightening until fixture is flush with ceiling.
- 12) Remove excess caulk from flange and ceiling.
- 13) Make electrical connections using listed connectors insulated to 600V. Secure or position splices and wires away from reflector mounting points.
- 14) Remove any protective films from the reflective or outer surfaces as provided.
- 15) Replace reflector and secure by tightening screws.
- 16) Install only the rated lamps as marked on fixture.
- 17) Secure Doorframe hinge cables to housing using two studs and nuts provided.
- 18) Tightly Secure doorframe using a screwdriver.
- 19) Energize fixture with rated voltage from a protected branch circuit.
- 20) Do Not Open or Service Fixture While Energized. Always Disconnect Power from supply before servicing.
- 21) Do Not Operate Fixture when damaged or not completely sealed.

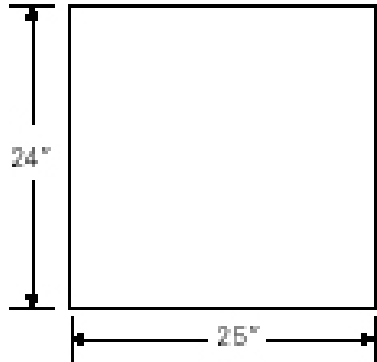
# Toggle Arm Flanged Fixture Installation Instructions for Plaster or Drywall Ceilings

## Ceiling Cutout



# Toggle Arm Flanged Fixture Installation Instructions for Plaster or Drywall Ceilings

WLF 2x2  
Ceiling Cutout



# Toggle Arm Flanged Fixture Installation Instructions for Plaster or Drywall Ceilings

WL F 1x4  
**Ceiling Cutout**

