

# Daylight Series / Round Domes



Innovators in lighting  
since 1898

Made In The USA 

## Kurtzon Lighting

[www.Kurtzon.com](http://www.Kurtzon.com)



# BENEFITS:

- Toolless entry.
- IP64 for dust / water tightness.
- Made from a thicker gauge material.
- Made from Aluminum to resist corrosion.
- Three lens options, convex, concave or flat.
- UL Listed for Wet Locations and Chicago Plenum Approved.
- Universal housing for Grid or Plaster, Drywall Gypsum ceiling.
- Overlapping door frame clings to the ceiling, eliminating light leaks.

Theirs



Ours



# APPLICATIONS

Hospitals, Schools, Conference Rooms, Lobbies, Libraries, Airports, Waiting Areas, Civic Centers, Banks, Custom Projects



Also available with a custom graphic lens.





**Architectural Lighting: Case Study: Old Dominion University**



Recently, our Daylight series passed the UL requirements for Wet Location listings. Also, meeting the requirements for IP64 to ensure that dust and other particulates do not enter the fixture. These listings are not found on any other similar product so you can be sure when specifying Kurtzon, you are using the very best and latest sealed lighting technology.



The lighting designers who worked on Old Dominion University selected Kurtzon Lighting for their main dining area. To ensure a tightly sealed product that would withstand the test of time and go with a manufacturer who will stand by their product.



Daylight Series

Two, Three & Four Foot Recessed for Flanged and T-bar Grid Installation.

Specification:

Housing: Lapped and spot welded 20 ga. CRS construction. Designed for installation Plaster or Drywall ceilings before ceiling closure and in T-bar grid systems

Door Frame: One piece .125" thick Aluminum rigid extruded ring supports the lens. Concealed torsion springs securely support the frame and provide for tool-less entry.

Gasketing: Triple gasketing construction provides clean room like seal for a long lasting, dust tight enclosure. 100% Neoprene gasket.

Reflector: White powder coat finished (minimum reflectivity 88%).

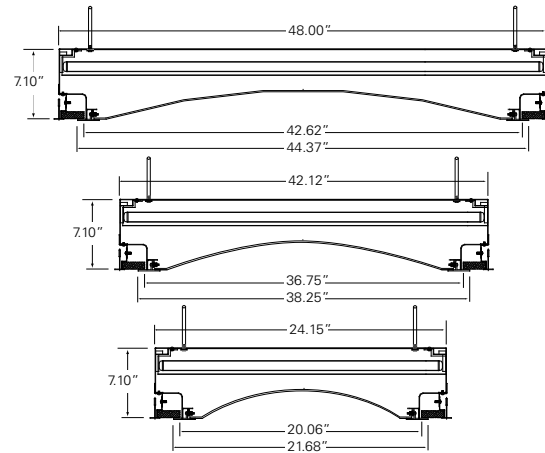
Lens: One piece white translucent acrylic lens secured in doorframe. Available in three profiles: Concave, convex and flat. See "Options" below to specify.

Electrical: Standard ballast - Electronic less than 10% THD high performance instant start universal voltage (120-277 volt). See options for other choices.

Installation: Four .375" dia. holes provided for fixture support at each corner. Four wire attachment points are provided for supplemental seismic support. T-bar grid support brackets for proper fit within standard 1 inch T-bar grid systems.

Listings: UL and CUL listed for Wet locations and Chicago Plenum approved. IBEW labeled. AFL/CIO Union Made. IP64 rated.

Note: Due to the nature of a circular aperture and the square housing, this fixture must be installed before ceiling closure. Consult factory for other sizes.



Ordering Information:

RD - F/G

Series	Installation Type	Material	Size	Lamps	Voltage	Options
RD	F/G= Flanged & T-bar Grid	1 = CRS Hsg. & Alum. Door			120V 277V 347V UNV	FF = Fuse & Holder FD = Two Fuses & Holders 2/EB = Two Ballasts, (Two Circuits)* EBL = -20°F Electronic Ballast* EBPRS= Program Rapid Start Ballast* 1/EM = 1 Lamp Battery Pack (700L)* 2/EM = 2 Lamp Battery Pack (1300L)* CC= Concave lens CV= Convex lens FL= Flat lens AG= Graphic panel option
	20= 2' Housing		2, 3, 4 or 6/T8 = F17T8 17W T8 (G13) 2, 3, 4 or 6/T5 = F14WT5 14W T5 (G5) 2, 3, 4 or 6/T5HO = F24WT5 24W T5HO (G5) 2 or 3/T8U1 = F32T8/U 1.6" 32W U-Lamp T8			
	30= 3' Housing		2, 3, 4, 6 or 8/T8 = F25T8 25W T8 (G13) 2, 3, 4, 6 or 8/T5 = F21WT5 21W T5 (G5) 2, 3, 4 or 6/T5HO = F39WT5 39W T5HO (G5)			
	40= 4' Housing		2, 3, 4, 6 or 8/T8 = F32T8 32W T8 (G13) 2, 3, 4, 6 or 8/T5 = F28WT5 28W T5 (G5) 2, 3, 4 or 6/T5HO = F54WT5 54W T5HO (G5)			



Kurtzon Lighting / Innovators in Lighting Since 1898

Made in The USA

Made In The USA



Morris Kurtzon, Incorporated  
1420 South Talman Avenue, Chicago, Illinois 60608  
312/277-2121 FAX 312/277-9164 © 2011  
Website - www.kurtzon.com



# Daylight Series - Round Domes

**RD02**

## Five & Six Foot Recessed for Flanged and T-bar Grid Installation.

**Housing:** Lapped and spot welded 20 ga. CRS construction. Designed for installation in Plaster or Drywall ceilings before ceiling closure and in T-bar grid systems

**Door Frame:** One piece .125" thick Aluminum rigid extruded ring supports the lens. Concealed torsion springs securely support the frame and provide for tool-less entry.

**Gasketing:** Triple gasketing construction provides clean room like seal for a long lasting, dust tight enclosure. 100% Neoprene gasket.

**Reflector:** White powder coat finished (minimum reflectivity 88%).

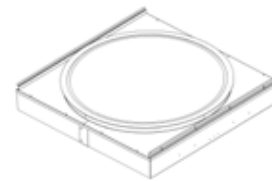
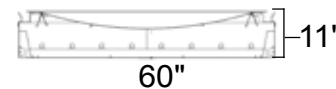
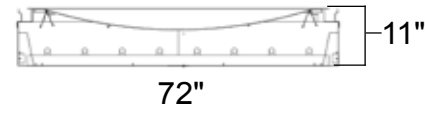
**Lens:** One piece white translucent acrylic lens secured in doorframe. Available in three profiles: Concave & convex. See "Options" below to specify.

**Electrical:** Standard ballast - Electronic less than 10% THD high performance universal voltage (120-277 volt). See options for other choices.

**Installation:** Four .375" dia. holes provided for fixture support at each corner. Four wire attachment points are provided for supplemental seismic support.

**Listings:** UL and CUL listed for Wet locations and Chicago Plenum approved. IBEW labeled. AFL/CIO Union Made. IP64 rated.

**Note:** Due to the nature of a circular aperture and the square housing, this fixture must be installed before ceiling closure. Consult factory for other sizes.



**CCEA**  
CERTIFIED

**IP**  
**64**  
IEC 60529



### Ordering Information:

RD - F/G - - - - -


Series	Installation Type	Material	Size	Lamps	Voltage	Options
RD	F/G= Flanged & T-bar Grid	1 = CRS Hsg. & Alum. Door			120V 277V 347V UNV	FF = Fuse & Holder FD = Two Fuses & Holders 2/EB = Two Ballasts, (Two Circuits) EBL = -20°F Electronic Ballast EBPRS= Program Rapid Start Ballast 1/EM = 1 Lamp Battery Pack (700L) 2/EM = 2 Lamp Battery Pack (1300L) CC= Concave lense CV= Convex lense
50= 5' Housing		6, 8 or 10/T8 = F32T8 32W T8 (G13) 6, 8 or 10/T5 = F28WT5 28W T5 (G5) 6 or 8/T5HO = F54WT5 54W T5HO (G5)				
60= 6' Housing		8, 10 or 12/T8 = F32T8 32W T8 (G13) 8, 10 or 12/T5 = F28WT5 28W T5 (G5) 6 or 8/T5HO = F54WT5 54W T5HO (G5)				





# ***Kurtzon Lighting***

**Innovators in Lighting since 1898**

Made In The USA 



**WWW.KURTZON.COM**

**800-837-8937**

**1420 S. Talman Ave Chicago, IL**