

Basic Clean Space Economy-Lock Series

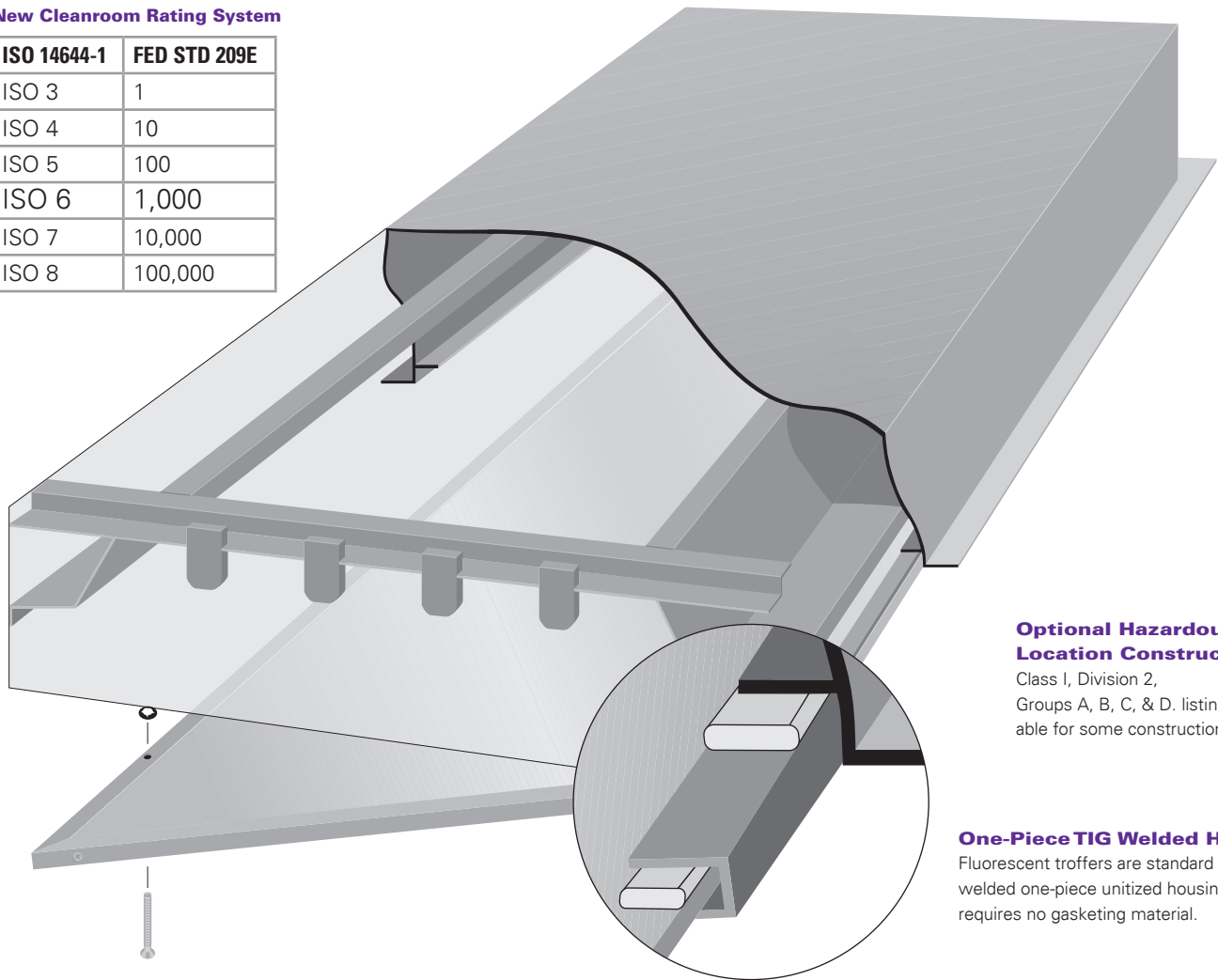
Features and Benefits

Exceeding Basic Cleanroom Requirements.

The Economy Lock Series is designed for application where ISO Class 6 performance is required and the budget will not allow the Klean-Lock Series. Having met this challenge this series is designed to give the triple gasketed construction needed for all clean spaces. Each housing is completely factory sealed using the best in materials and sealants to restrict the penetration of contaminants into the cleanroom. Unlike ordinary wet location troffers, the EL-Series is designed to give a permanent seal to the plenum space.

New Cleanroom Rating System

ISO 14644-1	FED STD 209E
ISO 3	1
ISO 4	10
ISO 5	100
ISO 6	1,000
ISO 7	10,000
ISO 8	100,000



Adherence to Close Tolerances

Our unsurpassed design and fabrication standards result in a sealed product with minimal dependence upon gasketing material.

Optional Hose Down Construction (HD85)

The HD85 Design withstands 85PSI from a .1" nozzle positioned two feet from the fixture.

Optional Hazardous Location Construction

Class I, Division 2, Groups A, B, C, & D. listings available for some constructions.

One-Piece TIG Welded Housing

Fluorescent troffers are standard with seam welded one-piece unitized housings that requires no gasketing material.

Triple Gasketed

Uninterrupted contact between the 100% pure Neoprene/Silicone gasketing materials and the housing/door frame/lens produces a sealed lighting system.

20-Gauge Channel Door Frame

The Economy -Lock door frame features:

- CRS or type 304 Stainless Steel Construction

Closed Cell 100% pure Neoprene Gasketing

Chemically stable, die-cut synthetic neoprene rubber gaskets are resistant to heat and ultraviolet light.

